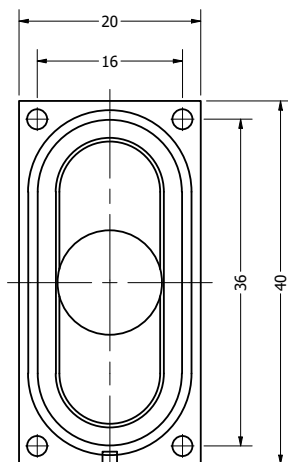
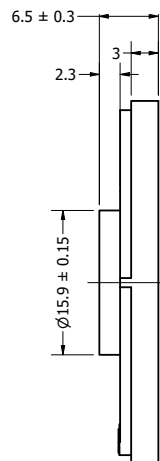


| | | |
|--|------------------|-----------|
| Part Number: SW401404-1 | DRAWN CJ | 3/13/2017 |
| | CHECKED P.D. | 10/2/2017 |
| | APPROVED C.E. | 10/2/2017 |
| Description: Waterproof Dynamic Speaker | | |
| This document contains data proprietary to DB Unlimited. Any use or reproduction, in any form, without prior written permission of DB Unlimited is prohibited. All terms and conditions can be found at www.dbunlimitedco.com | | |

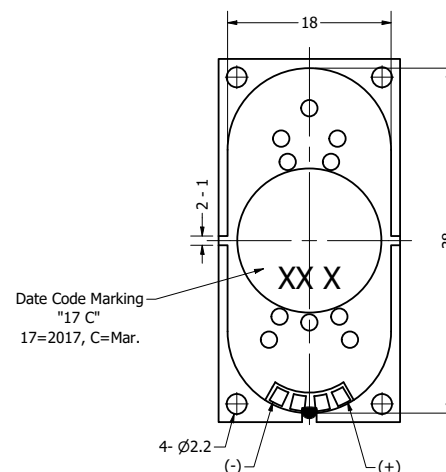
Top View



Side View



Bottom View



| Items | Specifications | Conditions | REVISION HISTORY | | | |
|-----------------------|----------------|-------------------|------------------|---------------------------|------------|----------|
| | | | REV | DESCRIPTION | DATE | APPROVED |
| Sound Pressure Level | 97 | dB (@ 10cm), Avg. | | | | |
| Resonant Frequency | 1,400 | Hz | | Released from Engineering | 10/2/2017 | C.E. |
| Frequency Range | 300 ~ 10,000 | Hz | 1 | Updated frequency range | 12/27/2017 | C.E. |
| Nominal Power | 2 | W | 2 | Update markings | 2/28/2018 | C.E. |
| Max. Power | 3 | W | 3 | Updated to show polarity | 3/13/2019 | C.E. |
| Impedance | 4 | Ω | 4 | Updated temperatures | 4/7/2020 | P.D. |
| Cone Material | Mylar | | | | | |
| Mount Type | Frame Mount | | | | | |
| IP Rating | IP67 | | | | | |
| Storage Temperature | -40 ~ +70 | $^{\circ}$ C | | | | |
| Operating Temperature | -40 ~ +70 | $^{\circ}$ C | | | | |
| Weight | 5.21 | g | | | | |

NOTES

- 1) All dimensions are in mm unless otherwise noted
- 2) All tolerances are \pm 0.2 mm unless otherwise noted
- 3) All parts meet RoHS
- 4) Subject to change or redrawn without notice