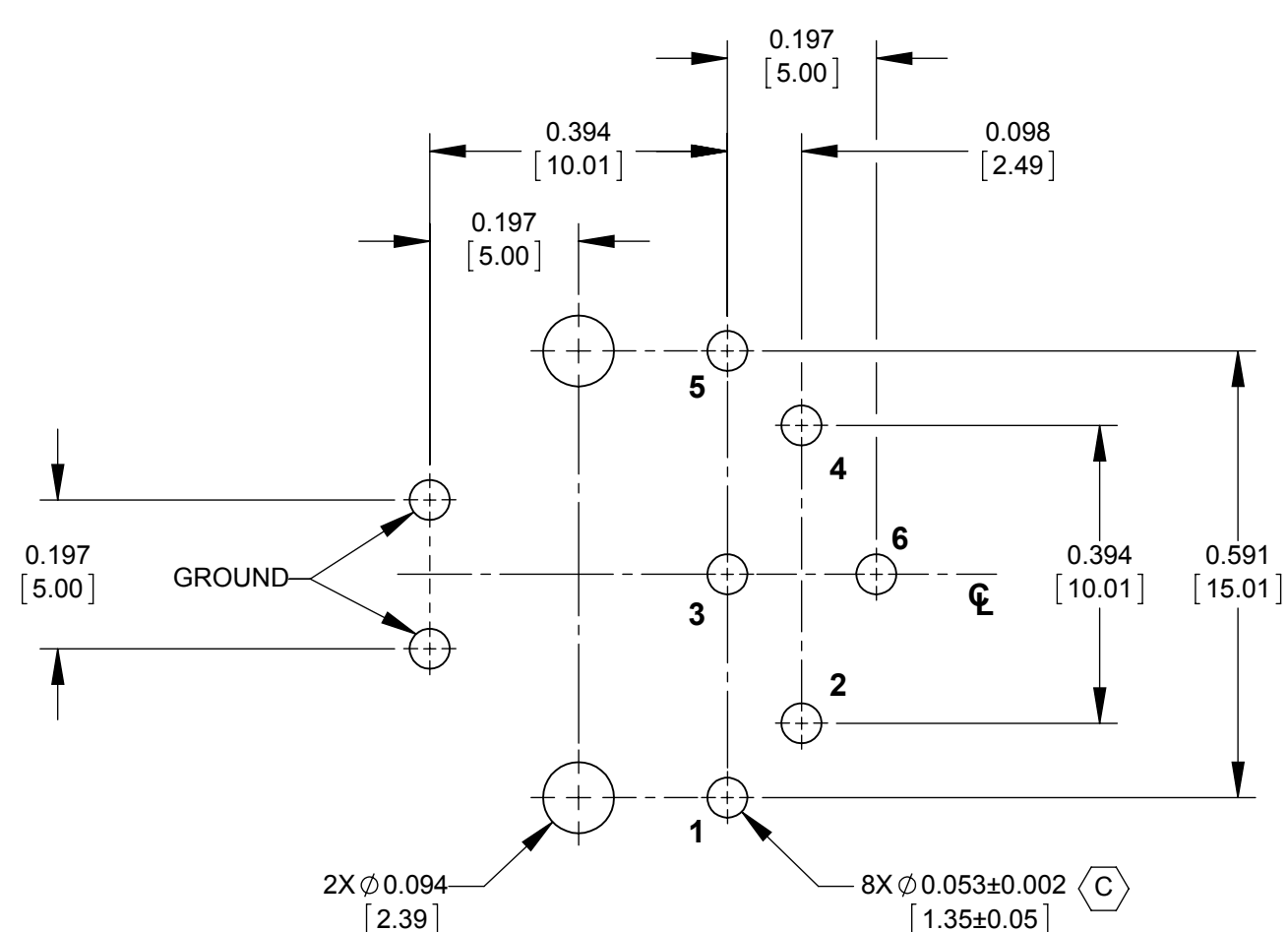
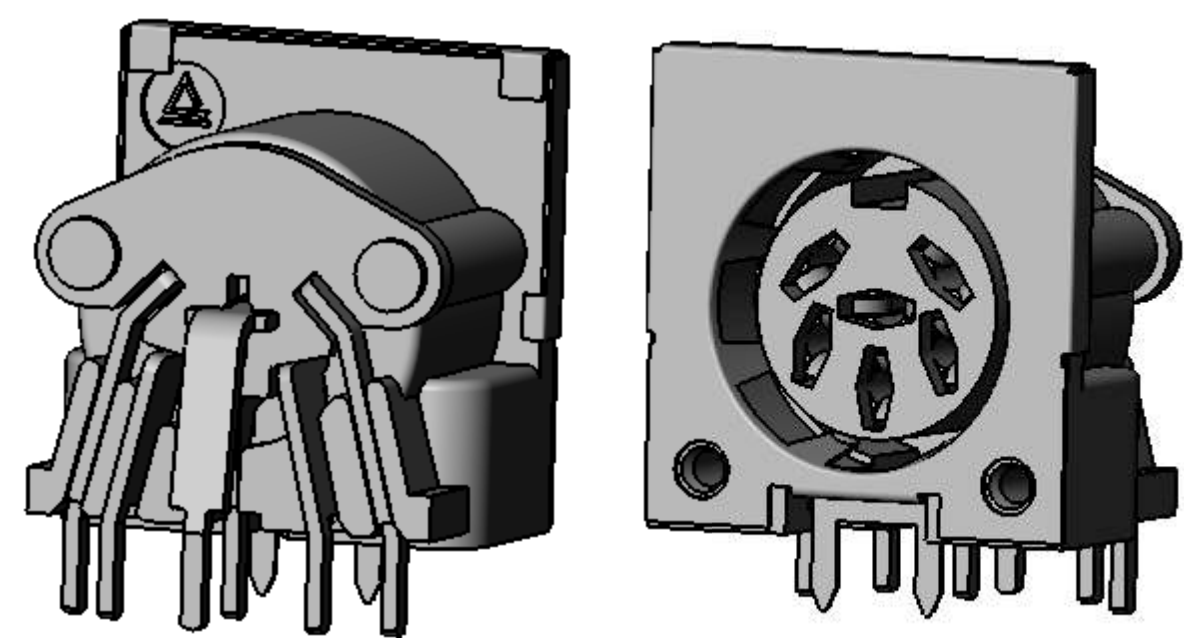
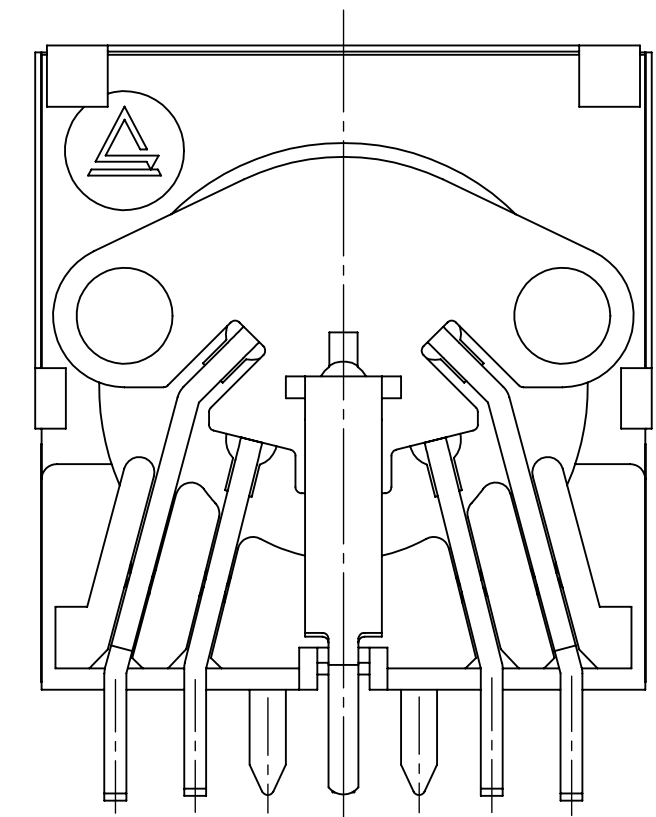
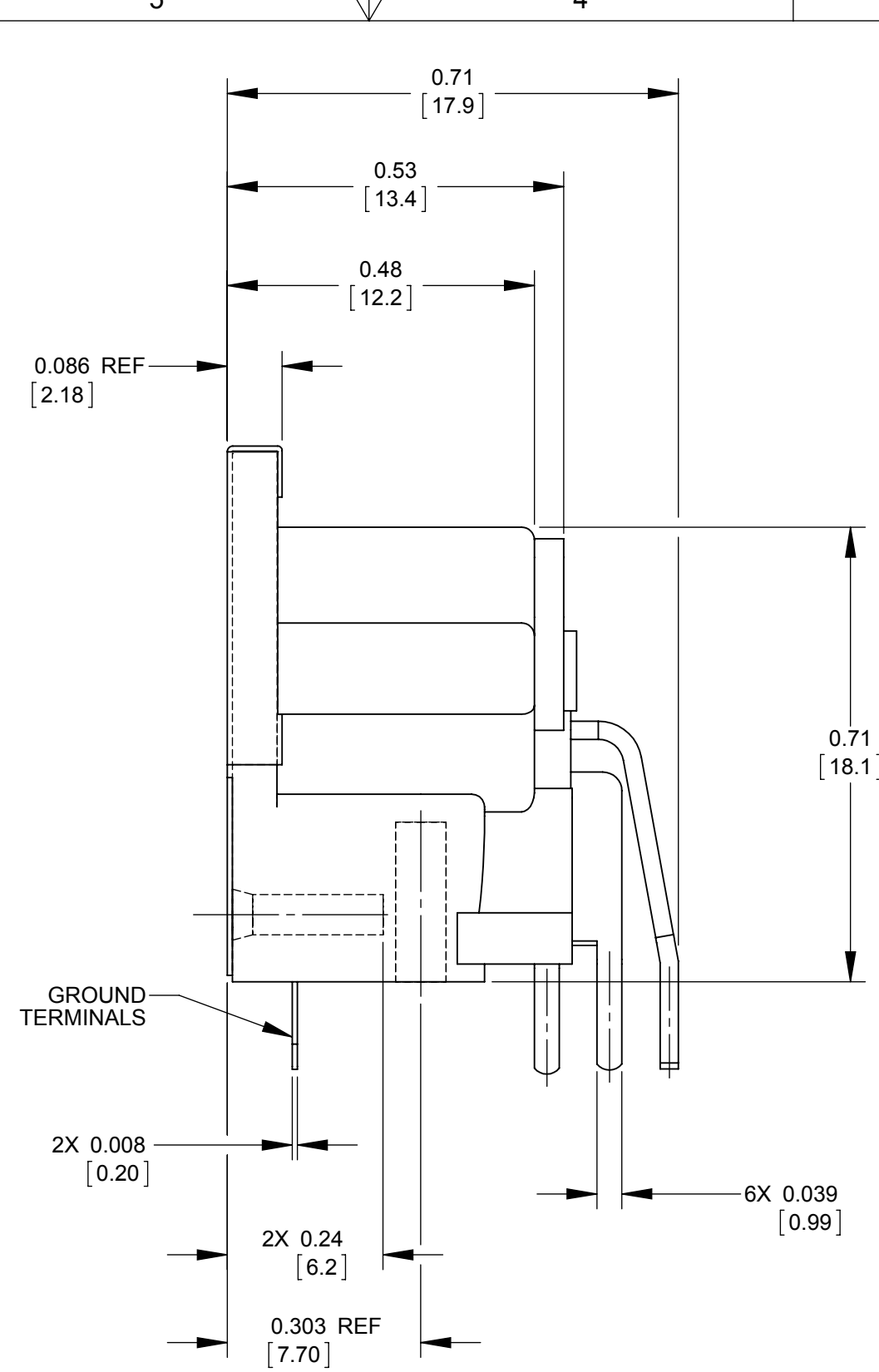
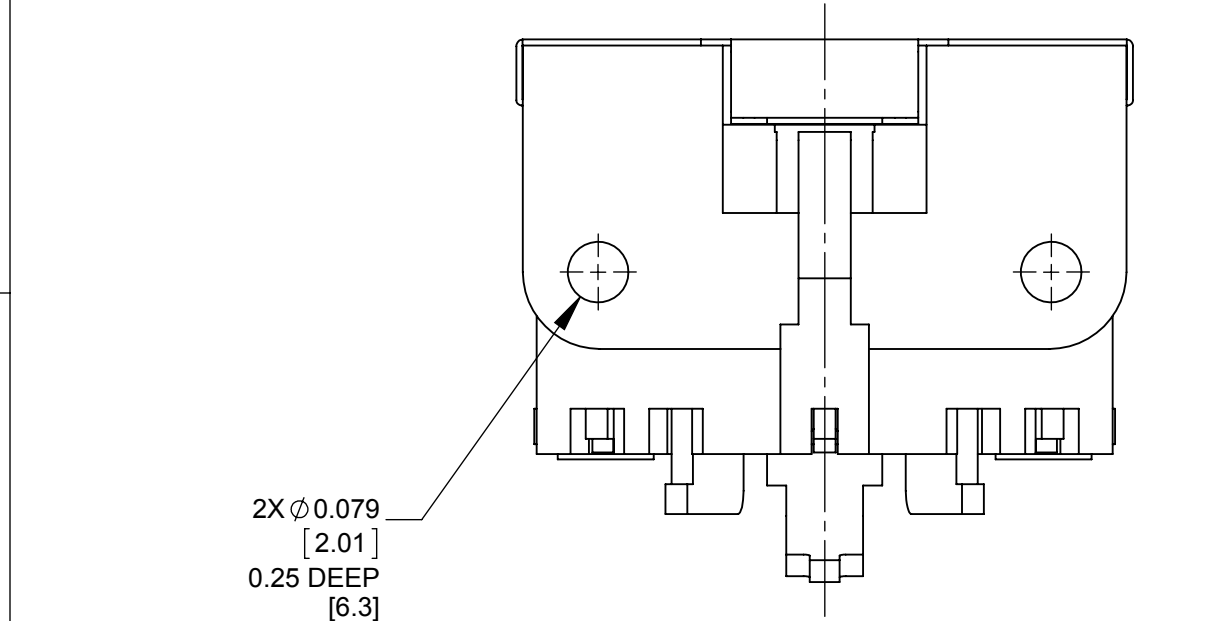


PIN NUMBERS FOR REFERENCE ONLY THEY DO NOT APPEAR ON THE PART



RECOMMENDED PC BOARD LAYOUT
COMPONENT SIDE

- NOTES:
- MATERIALS:
HOUSING - THERMOPLASTIC, BLACK.
PC TERMINALS - COPPER ALLOY, TIN PLATED.
GROUND PLATE - SPECIAL COPPER ALLOY, TIN PLATED.
COVER - PHENOLIC
 - MATES WITH PLUG
0.520±0.008 [13.21 ±0.20]
0.536±0.004 [13.61 ±0.10]
 - THIS PRODUCT IS RoHS COMPLIANT.

CUSTOMER DRAWING

| REV | ECO NUMBER | DATE | BY | APVD |
|-----------|-----------------------------------|----------|----|------|
| C | CAD REDRAW NO CHANGE - ECO #27408 | 11/17/14 | PC | TJK |
| REVISIONS | | | | |

UNLESS OTHERWISE SPECIFIED
1. ALL DIMENSIONS IN INCHES [mm]
- TWO PLACE DECIMALS ±0.02 [0.5]
- THREE PLACE DECIMALS ±0.005 [0.13]

DO NOT SCALE DRAWING

| | | | | |
|--|-------|----------|----------|----------|
| THIS DRAWING DESCRIBES A DESIGN CONSIDERED PROPRIETARY IN NATURE, DEVELOPED AND MANUFACTURED BY SWITCHCRAFT INC. AND IS RELEASED ON A CONFIDENTIAL BASIS FOR IDENTIFICATION PURPOSES ONLY. | | | | |
| SIZE | WIDTH | MULT | LBS/M | TEMPER |
| FINISH | | MATERIAL | | |
| SPEC No. | | SPEC No. | | |
| FIRST USED ON | | SCALE | | |
| | | 4:1 | | |
| DATE DRAWN | BY | CHKD | APVD | |
| 03/18/83 | RB | TS | RV | |
| | | 03/21/83 | 03/21/83 | |
| NAME RIGHT ANGLE SHIELDED PC FEMALE DIN RECEPTACLE, RoHS | | | | PART No. |
| | | | | 61PC6FS |
| | | | | REV |
| | | | | C |