

THIS DRAWING IS UNPUBLISHED.

RELEASED FOR PUBLICATION

LOC 0

DIST 0

REVISIONS

© COPYRIGHT - By -

ALL RIGHTS RESERVED.

P	LTR	DESCRIPTION	DATE	DWN	APVD
	D2	DRAWING VIEW UPDATION OF THE CORRECT ANGLED PCB MOUNT	26MAY2015	NV	PS

SPECIFICATIONS:

D-SUB CONNECTOR:

MATERIALS:

HOUSING: THERMOPLASTIC POLYESTER, 94V-0.
CONTACTS: COPPER ALLOY, GOLD OVER NICKEL

MECHANICAL:

WIRE RANGE: 26-30 AWG SOLID, 28 AWG STRANDED


TERMINAL BLOCK:

MATERIALS:

HOUSING: THERMOPLASTIC NYLON, BLACK, 94V-0.
TERMINALS: COPPER ALLOY, BRIGHT ACID-TIN OVER COPPER PLATED.

SCREWS: 3M, BRASS, NICKEL PLATED.

ELECTRICAL:

RATING: 10A, 300V, 

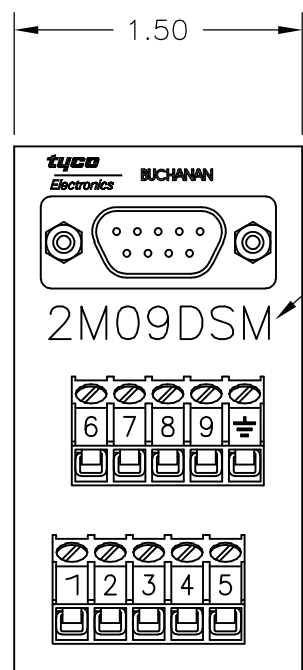
MECHANICAL:

WIRE RANGE: 14-22 AWG.

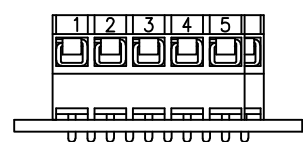
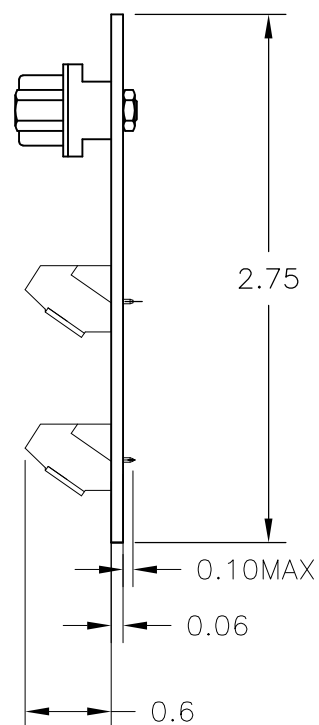
MOUNTING:


MATERIALS: RIGID PVC, GRAY.
MOUNTING: 2TK2 AND 2TK2D SERIES SNAPTRACK, (SOLD SEPARATELY).


 CONTAINS NO TIN-LEAD PLATING.



CAT. NO.



	2M09DSML	1546693-1
	2M09DSM	1437684-3
	CATALOG NO.	PART NUMBER

THIS DRAWING IS A CONTROLLED DOCUMENT.		DWN S SCHLEGEL 08JUL02	 TE Connectivity		
DIMENSIONS: INCHES		CHK H. WAKEEM 7/8/02			
TOLERANCES UNLESS OTHERWISE SPECIFIED:		APVD H. WAKEEM 7/8/02	NAME 2M09DSM ASSEMBLY		
0 PLC ± -		PRODUCT SPEC -	SIZE CAGE CODE DRAWING NO RESTRICTED TO		
1 PLC ± .1		APPLICATION SPEC -	A3 00779 C-1437684-3		
2 PLC ± .01		WEIGHT -	SCALE NTS SHEET 1 OF 1 REV D2		
3 PLC ± -		CUSTOMER DRAWING			
4 PLC ± -					
ANGLES ± -					
MATERIAL -					
FINISH -					