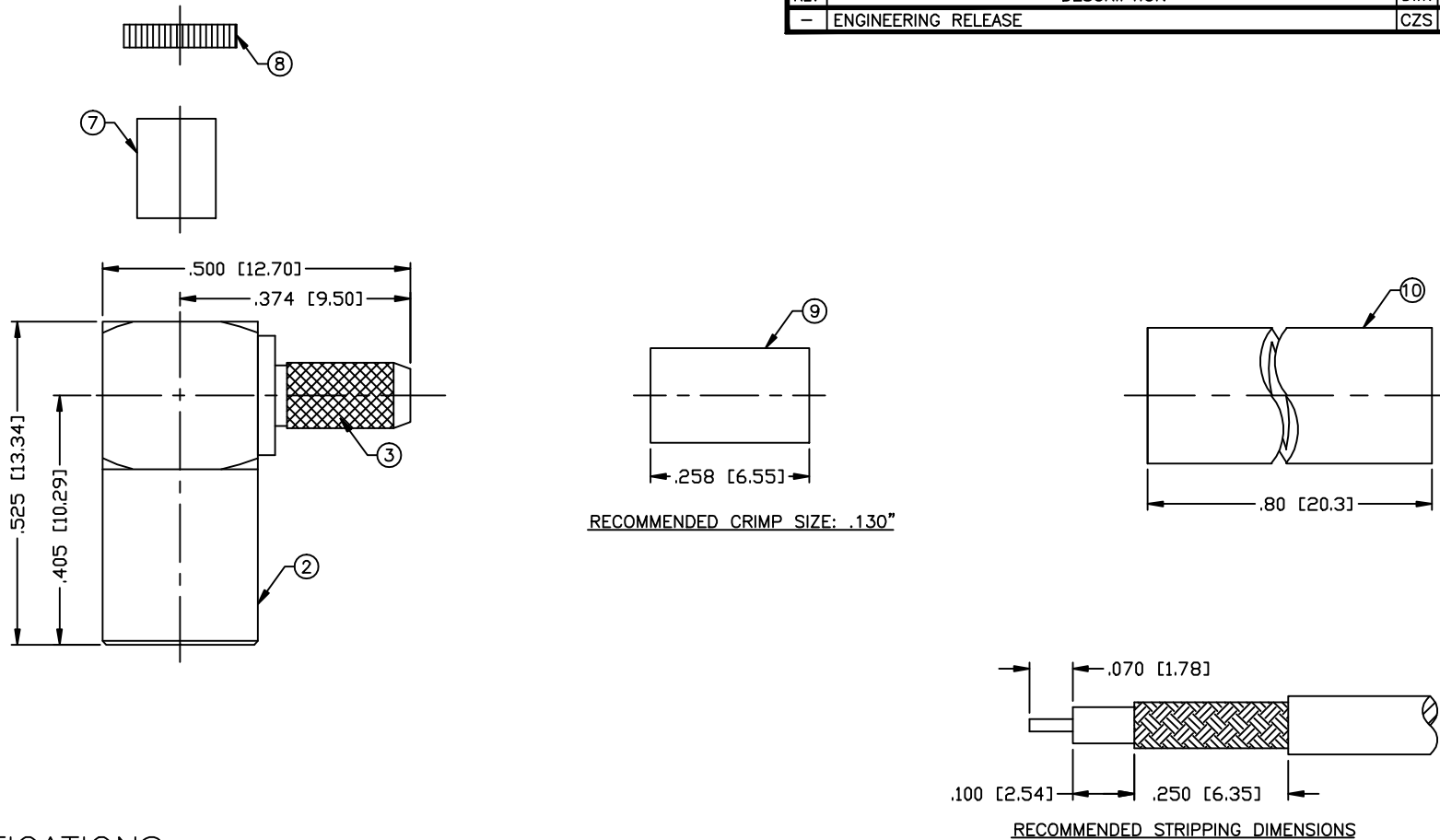


PART NO.

RSB-4010-1B-03

REV	DESCRIPTION	DWN	DATE	APPROVED
-	ENGINEERING RELEASE	CZS	06/16/11	JDMc

**SPECIFICATIONS:**

IMPEDANCE: 50 Ohms
 FREQUENCY RANGE: 0-4 GHz
 WORKING VOLTAGE: 335 V rms Max. @ Sea Level
 CONTACT RESISTANCE: ≤ 6 m Ohm
 INSULATION RESISTANCE: 1k M Ohms min.
 TEMPERATURE RANGE: -65°C TO 165°C
 FOR RG-174, 188, 188A, 316/U, ALPHA 9174, 9316,
 BELDEN 8216, 83269, 83284, 84316 & TIMES LMR-100A CABLE

NOTE: ATTACH CABLE TO CONNECTOR BY SOLDERING THE CABLE INNER CONDUCTOR TO THE CONTACT SLOT INSIDE THE CONNECTOR

1	COUPLING NUT	1	BRASS	GOLD, 3μ "
2	PRESS BODY	1	BRASS	GOLD, 3μ "
3	BODY	1	BRASS	GOLD, 3μ "
4	INSULATOR	1	PTFE	---
5	CONTACT	1	Be. Cu.	GOLD, 30μ "
6	RETAINING RING	1	Be. Cu.	---
7	INSULATOR	1	PTFE	---
8	PRESS CAP	1	BRASS	GOLD, 3μ "
9	FERRULE	1	BRASS	GOLD, 3μ "
10	TUBING	1	HEAT SHRINK	---

#	DESCRIPTION	QTY	MATERIAL	FINISH (IN)
1	COUPLING NUT	1	BRASS	GOLD, 3μ "

CUSTOMER
OUTLINE DRAWINGALL DIMENSIONS
ARE REFERENCE ONLYUNLESS OTHERWISE SPECIFIED:
DIMENSIONS ARE IN INCHES
AND [MILLIMETERS]DRAWN
C. ZUNIGA 06/16/11

CHECKED

ORJ DRAWN
C. ZUNIGA 06/16/11**RoHS
COMPLIANT**

PROPRIETARY AND CONFIDENTIAL
THIS DRAWING CONTAINS
INFORMATION PROPRIETARY TO
RF INDUSTRIES. ANY
UNAUTHORIZED USE OF THIS
DRAWING IS EXPRESSLY
PROHIBITED WITHOUT WRITTEN
PERMISSION FROM RF
INDUSTRIES. ANY VIOLATION IS
PUNISHABLE UNDER U.S.
COPYRIGHT LAWS.

RFconnectors7610 MIRAMAR RD.
SAN DIEGO, CA 92126
(858) 549-6340
DIVISION OF RF INDUSTRIES, LTD. (858) 549-6345 FAX**SMB PLUG, CRIMP**
RIGHT ANGLE

SIZE	CABLE GROUP	DWG NO.	REV
A	B	RSB-4010-1B-03	---
SCALE: NTS	ENGINEERING ID: 008974	SHEET 1 OF 1	