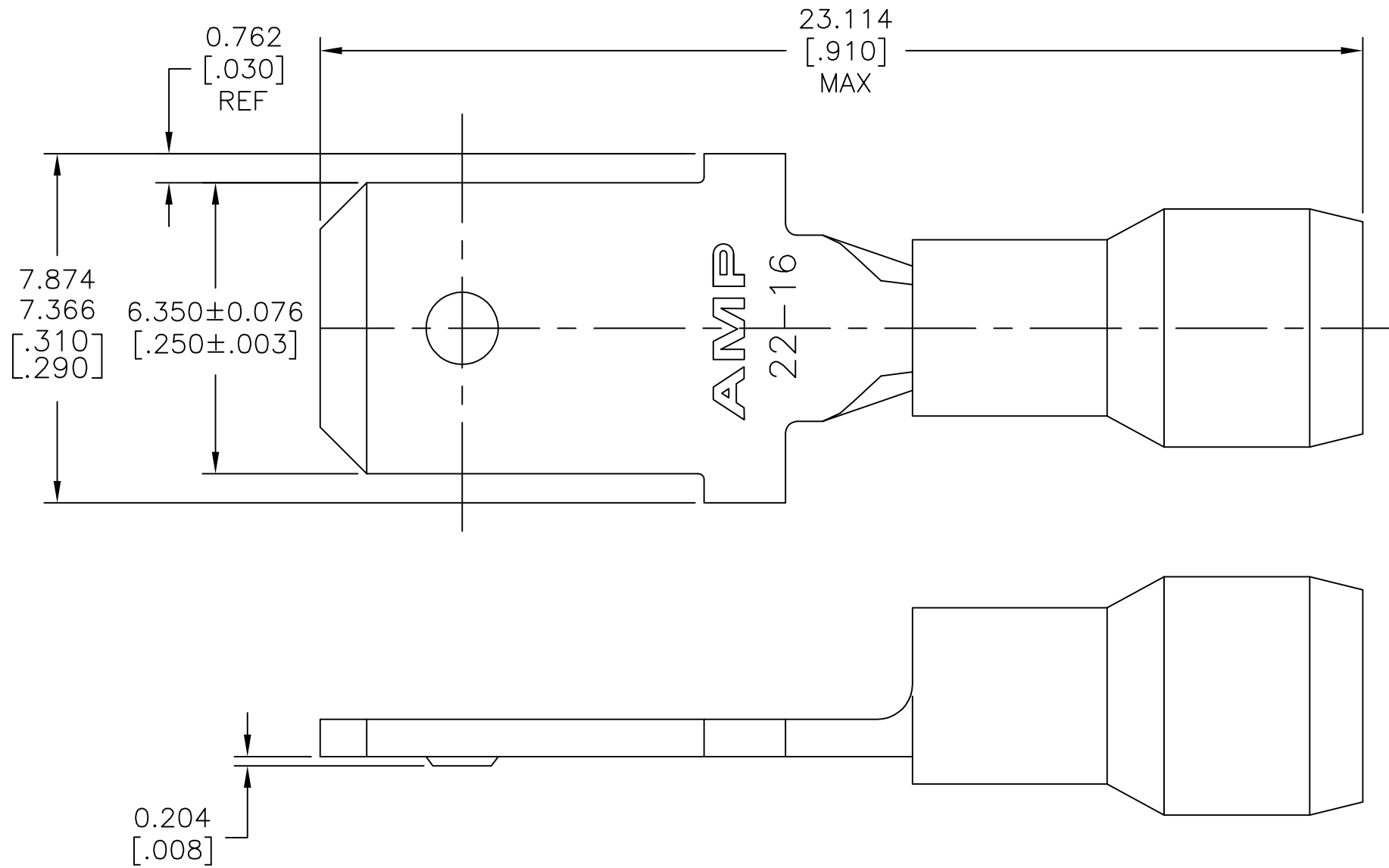

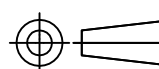


P	LTR	DESCRIPTION	DATE	DWN	APVD
	K1	REVISED PER ECO-11-004917	11MAR11	RK	HMR
	K2	REVISED PER ECO-17-002887	30AUG2017	RS	DR



- 1 STAMPED "AMP 22-16".
- 2 WIRE INSULATION  $\phi 2.667-3.556[\phi .105-.140]$
- 3 MATERIAL THK IS  $0.787\pm 0.050[.031\pm .002]$
- 4 NOTE DELETED.

5000	RED, PVC	COPPER, TIN	TAPE MOUNTED	66023-4
500	RED, PVC	COPPER, TIN	LOOSE PIECES	66023-2
QTY	SLEEVE	MATERIAL & FINISH	PACKAGING TYPE	PART NO.

THIS DRAWING IS A CONTROLLED DOCUMENT.		DWN JR RUTH 10SEP2002	 <b>TE Connectivity</b>		
DIMENSIONS: mm [INCHES]		CHK T MICHELUTTI 10SEP02			
TOLERANCES UNLESS OTHERWISE SPECIFIED:		APVD T MICHELUTTI 10SEP02	PRODUCT SPEC ---		RESTRICTED TO ---
 0 PLC ± - 1 PLC ± 2.5[.1] 2 PLC ± 0.50[.02] 3 PLC ± 0.127[.005] 4 PLC ± - ANGLES ± 1°		APPLICATION SPEC ---			
MATERIAL SEE TABLE		FINISH SEE TABLE	WEIGHT -	SIZE A3	CAGE CODE 00779
CUSTOMER DRAWING			DRAWING NO C=66023	SCALE 8:1	SHEET 1 OF 1
					REV K2