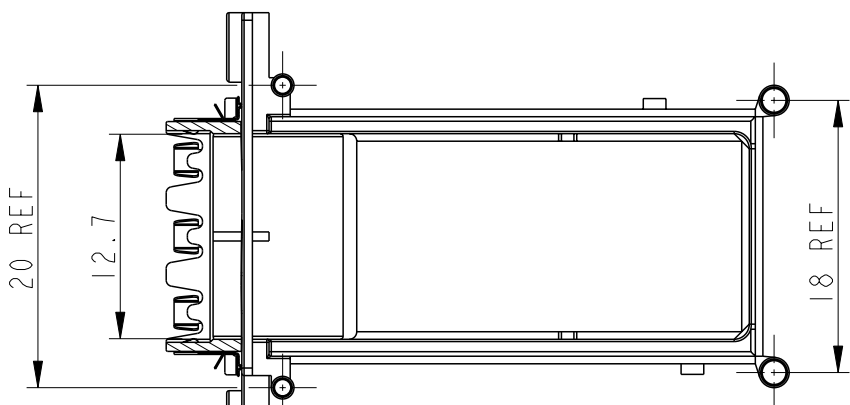


SCALE 1:1



PART NUMBERS	
10018311-001LF	LEAD FREE VERSION

NOTES:

1. Packaging specification: see GS-14-639
2. For more details, refer to drawing 72808C, 72811_C

3-ROHS INFORMATIONS:

-This product meets European Union Directives and other country regulations as described in GS-22-008.
 -Packaging spec: see GS-14-920.

rev	ecn no	dr	date
A	B20180	GNV	2002/10/28
B	LS4129	JTA	2004/12/15
C	LS06-0076	JTA	2006/05/15
D	LS06-0084	LGO	2006/06/20
E	LS08-0064	JTA	2008/03/05
-	-	-	-
-	-	-	-



Copyright FCI.

www.fciconnect.com		surface <input checked="" type="checkbox"/> ISO 1302	tolerance std ISO 406 ISO 1101	projection	mm
TOLERANCES UNLESS OTHERWISE SPECIFIED					
Dr	G. Nys	2002/03/05	ANGULAR	0.X ±0.3	size A4 Scale 2:1
Eng	G. Nys	2002/03/05	LINEAR	0.XX ±0.1	
Chr	G. Nys	2002/03/05	0° ±2°	0.XXX ±0.05	ECN LS08-0064
Appr	W. Panis	2002/03/05	Product family	SOFIX	Spec ref RELEASED
	title COVER WITH SPRING			dwg no 10018311_C Rev. E	
catalog no			SEE TABLE	CUSTOMER COPY	sheet 1 of 1

REV F - 2006-04-17