

**Air Powered  
Crimp Tool Head  
NylaKrimp™**

**Application Tooling  
Specification Sheet**

**Order No. 64005-2700  
Engineering No AT 8100**

**FEATURES**

- Quick-change tool head for the 19279-0001 (AT-200)
- Tooling kit is interchangeable with other kits in the 64001 and 64003 Series
- A precision user-friendly terminal locator wire stop holds terminals in the proper crimping position
- Pneumatic powered crimp tools help reduce fatigue and discomfort from repetitive manual crimping

**SCOPE**

Products: NylaKrimp™ Splices and Funnel Entry Nylon Butt Splices also Perma-Seal™ Butt Splices 18 - 22 AWG.

**Testing**

**Mechanical**

The tensile test, or pull test, is a means of evaluating the mechanical properties of the crimped connections. The following charts show the UL specifications for various wire sizes. The tensile strength is shown in pounds and indicates the minimum acceptable force to break or separate the terminal from the conductor.

Wire Size (AWG)	*UL - 486 C
22	8
20	10
18	10

\*UL - 486 C - Butt Splices

The following is a partial list of the product part numbers and their specifications that this tool is designed to run. We will be adding to this list and an up to date copy is available on [www.molex.com](http://www.molex.com).

Wire Size: 18 - 22 AWG 0.80 - 0.35mm <sup>2</sup>					
Terminal No.	Terminal Eng No. (REF)	Wire Strip Length		Insulation Diameter Maximum	
		In	mm	In	mm
19202-0011	AS-932-DK	.310	7.94	.161/.147 Funnel	4.09/3.73
19202-0013	AS-N-345	.281	7.14	0.13	3.302
19202-0063	A-945-DKJ	.310	7.94	.166/.152 Funnel	4.13/3.86
19270-0002	AS-N-302	.281	7.14	0.12	3.048

**Caution:** Never operate this tool without the supplied safety shield in place. Never place fingers in the tool nests.

## OPERATION

Refer to the instruction manual for the 19279-0001 (AT200) for mounting this crimp tool head.

### Crimping Terminals

1. Insert the wire into the butt splice; the wires end should butt up against the tab in the terminal. See Figure 2.
2. Hold airhead crimp tool with the backside facing the operator. Insert the butt splice and the wire into the nest. See Figure 1.
2. Press lever on air tool. Release it after the jaws have closed.

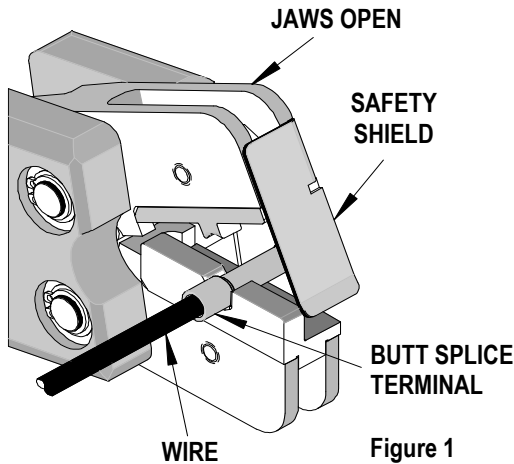


Figure 1

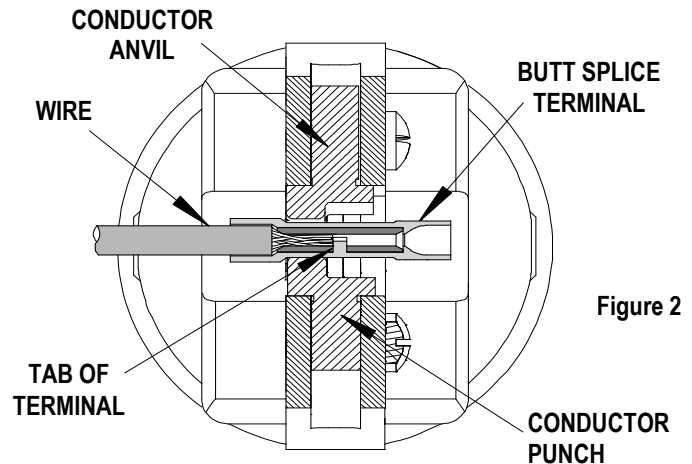


Figure 2

3. Remove the crimped splice. Inspect for proper crimp location.
4. Rotate the butt splice terminal 180°, so that the opposite end of splice is in the nest.
5. Repeat steps 1 thru 4.
6. Molex offers a Crimp Inspection Handbook for closed barrel industrial product. See our website or contact your sales engineer.

**Note:** Whenever crimping without the locator, make sure the seam of the terminal is oriented up or down in the tool if using unbrazed product, as this will provide higher pull force values.

### Maintenance

It is recommended that each operator of the tool be made aware of, and responsible for, the following maintenance steps:

1. Remove dust, moisture and other contaminants with a clean brush, or soft, lint-free cloth.
2. Do not use any abrasive materials that could damage the tool.
3. Make certain all pins; pivot points and bearing surfaces are protected with a thin coat of high quality machine oil. Do not oil excessively. This tool was engineered for durability but like any fine piece of equipment it needs cleaning and lubrication for a maximum service life of trouble-free crimping. Use a light oil such as 30 weight automotive oil at the oil points shown in Figure 3, every 5,000 crimps or monthly will significantly enhance the tool life and ensure a stable calibration.
4. When tool is not in use store the tool in a clean, dry area.

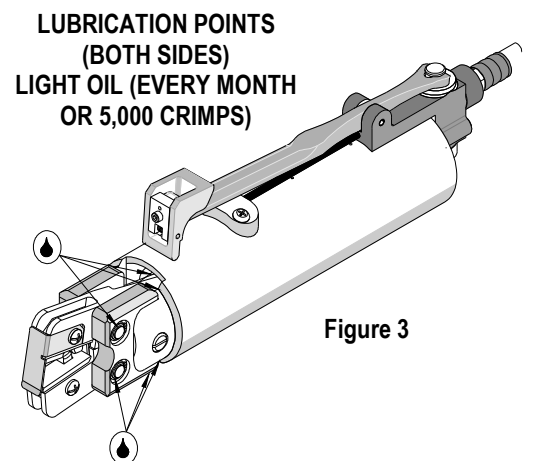
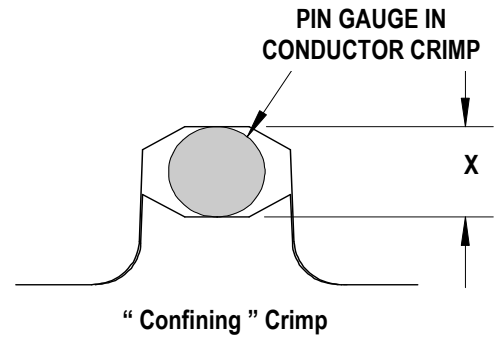


Figure 3

### Tool Calibration

A Certificate of Calibration (See last page) was supplied with the tool. To recalibrate this tool, pin gauge measurements should be taken in each conductor nest and compared to this chart. The tool should be lubricated prior to recalibration to ensure consistent measurements.



Nest Color Code	Wire Range		"X" Dimension Conductor Crimp			Crimp Inspection Marking
	AWG	mm <sup>2</sup>	Mean	Go	No Go	
Red	18 - 22	0.35 - 0.80	.080	.077	.088	0

### Warranty

This tool is for electrical terminal crimping purposes only. This tool is made of the best quality materials. All vital components are long life tested. All tools are warranted to be free of manufacturing defects for a period of **30 days**. Should such a defect occur, we would repair or exchange the tool free of charge. This repair or exchange will not be applicable to alter, misused, or damaged tools.

**CAUTION:** Molex crimp specifications are valid only when used with Molex terminals, applicators and tooling.

**PARTS LIST**

Item	Order No	Description	Quantity
	<b>64005-2780</b>	<b>Crimp Tool Head</b>	<b>Figure 4</b>
1	64005-0000	Basic Air Tool Head	1
2	64001-2770	Tooling Kit	1
<b>Tooling Kit Only</b>			
3	64001-2701	Conductor Punch	1
4	64001-2702	Conductor Anvil	1

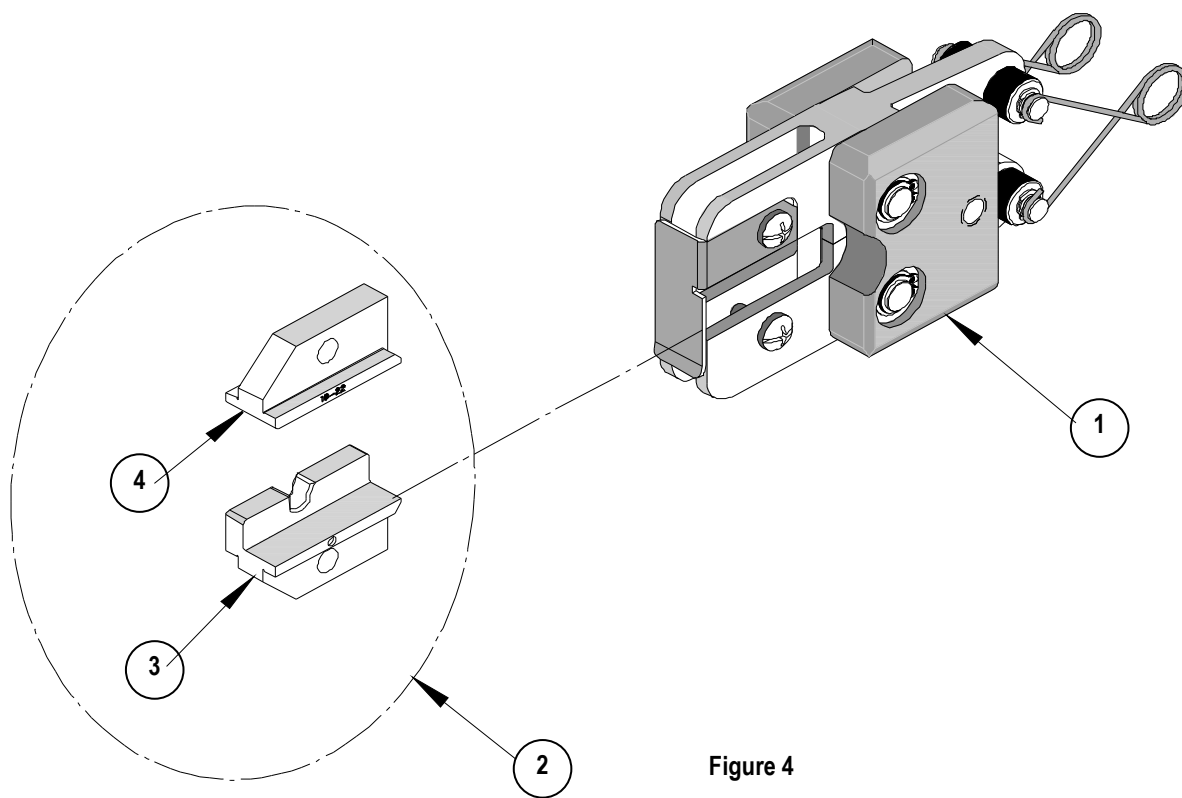


Figure 4

**Parts List (Continued)**

Item	Order No.	Description	Quantity
	<b>64005-0000</b>	<b>Basic Air Tool Head</b>	<b>Figure 5</b>
1	64005-0103	Nose Guard	1
2	64000-0077	Repair Kit (Springs, Rods Pivots ,Rings, and Washers)	1
3	N/A	M4 by 12 Long Freedrive Pan Head Screw	1**
4	N/A	M4 by 30 Long Freedrive Pan Head Screw	1**
5	N/A	3/16" by 3/8" Long Dowel Pin	1**

\*\* Available from an Industrial supply company such as MSC (1-800-645-7270).

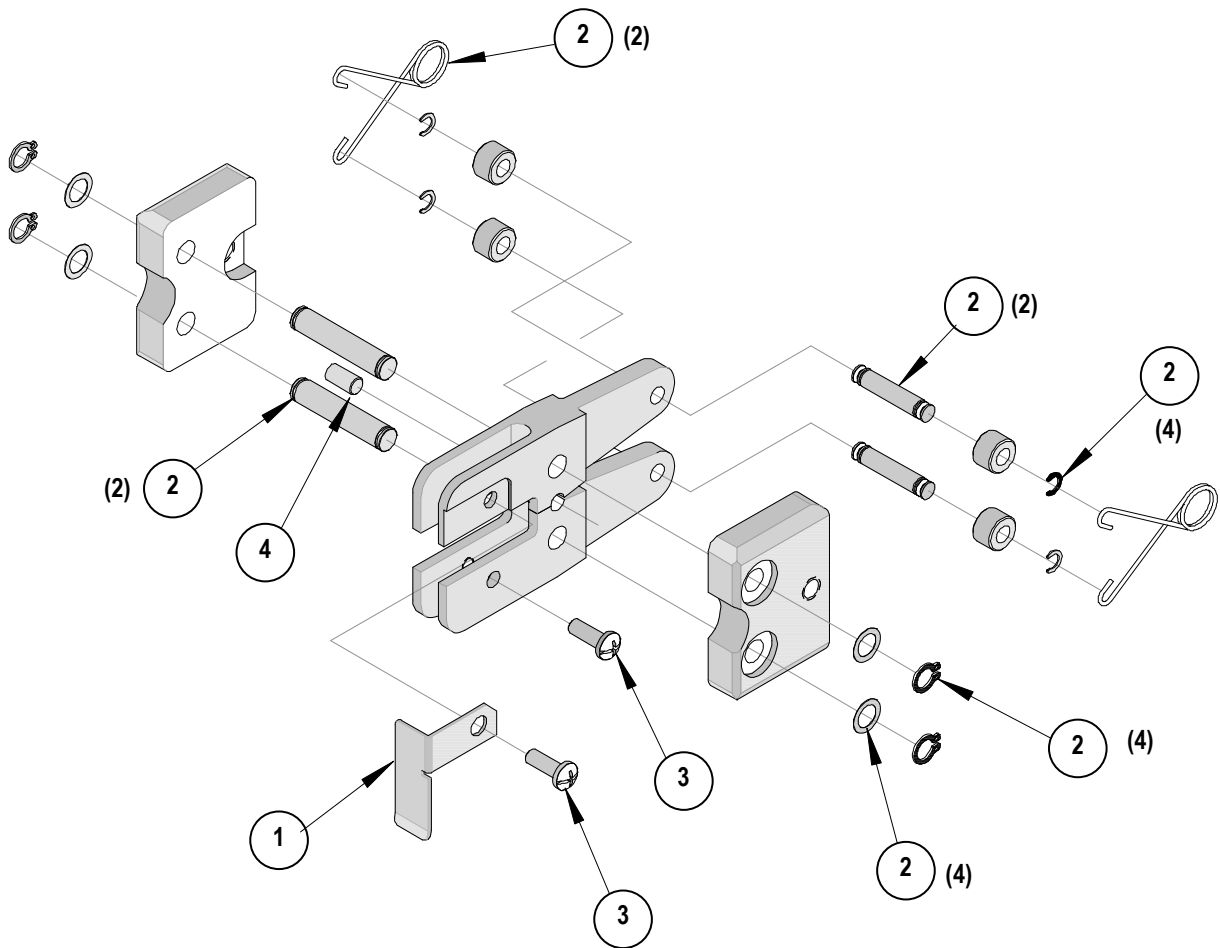
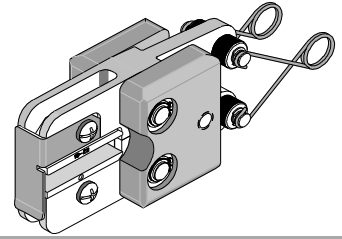


Figure 5



**Air Powered  
Crimp Tool Head  
Avikrimp™**

**Certificate of Calibration**

**Order No. 64005-2700  
Engineering No. AT 8100**

Tool Order Number \_\_\_\_\_

Tool Eng. Number \_\_\_\_\_

Tool Revision \_\_\_\_\_

Serial Number \_\_\_\_\_

Date of Manufacture \_\_\_\_\_

Pin Gauge of Conductor Nest/Nests or Slug height if the nest is the "F" Crimp style.

Range Conductor Nest # 1 = \_\_\_\_\_ - Actual = \_\_\_\_\_ -

Technician \_\_\_\_\_ -

Date of Calibration \_\_\_\_\_ -

Calibration should be done every 5,000 cycles or 3 months.  
Tools should be lubricated during this operation.

Visit our Web site at <http://www.molex.com>