


IB IL 24 DI 4-2MBD-PAC

Order No.: 2692306



<http://eshop.phoenixcontact.de/phoenix/treeViewClick.do?UID=2692306>

Inline digital input terminal block, complete with accessories (connector and labeling field), 4 inputs, 24 V DC, 3-wire connection method

| Commercial data | |
|--------------------------|--|
| GTIN (EAN) |  4 046356 309912 |
| sales group | K411 |
| Pack | 1 pcs. |
| Customs tariff | 85389091 |
| Catalog page information | Page 271 (AX-2009) |

Product notes

WEEE/RoHS-compliant since:
10/28/2008



<http://www.download.phoenixcontact.com>
Please note that the data given here has been taken from the online catalog. For comprehensive information and data, please refer to the user documentation. The General Terms and Conditions of Use apply to Internet downloads.

Product description

The digital Inline input terminals are designed for the connection of digital signals as are supplied from control switches, limit switches or proximity switches.

All the typical applications are covered by the standard automation terminals.

The I/O equipment is connected by a simple or an extended Inline connector, depending on the number of channels. The multi-wire connection method is available in both cases.

The Inline terminals can be labeled using hinged labeling fields. The fields have insert cards that can be labeled individually to suit the application. Additionally, there is the proven ZBFM-6... Zack strip for labeling the terminal points.

Technical data

General data

| | |
|---------------|----------|
| Width | 12.2 mm |
| Height | 140.5 mm |
| Depth | 71.5 mm |
| Mounting type | DIN rail |

Inline potential routing

| | |
|--------------------------------|-------------------------|
| Communications power U_L | 7.5 V DC |
| Current consumption from U_L | max. 40 mA |
| Segment supply voltage U_S | 24 V DC (nominal value) |
| Current consumption from U_S | max. 1 A |

Digital inputs

| | |
|--------------------------|------------------------|
| Input name | Digital inputs |
| Description of the input | EN 61131-2 type 1 |
| Type of connection | Spring-cage connection |
| Connection method | 2, 3-wire |
| Number of inputs | 4 |

Certificates / Approvals



Certification

CUL Listed, UL Listed

Accessories

| Item | Designation | Description |
|------|-------------|-------------|
|------|-------------|-------------|

Marking

| | | |
|---------|-----------|---|
| 1051993 | B-STIFT | Marker pen, for manual labeling of unprinted Zack strips, smear-proof and waterproof, line thickness 0.5 mm |
| 0809492 | ESL 62X10 | Insert strip for laser printer, lettering field: 62 x 10 mm |

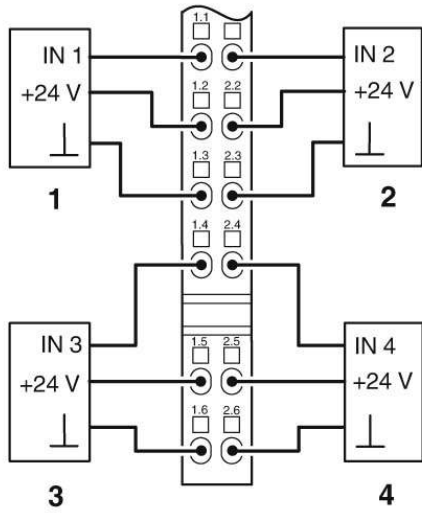
| | | |
|---------|------------------------|--|
| 0809502 | ESL 62X46 | Insert strip for laser printer, lettering field: 62 x 46 mm |
| 2727501 | IB IL FIELD 2 | Labeling field, width: 12.2 mm |
| 2727515 | IB IL FIELD 8 | Labeling field, width: 48.8 mm |
| 0811228 | X-PEN 0,35 | Marker pen without ink cartridge, for manual labeling of markers, labeling extremely wipe-proof, line thickness 0.35 mm |
| 1051029 | ZB 6,QR:FORTL.ZAHLEN | Zack marker strip, 10-section, printed vertically: with consecutive numbers 1 - 10, 11 - 20, and so on up to 491 - 500, color: white |
| 1051045 | ZB 6,QR:GLEICHE ZAHLEN | Zack marker, labeled vertically: 10-section, with identical numbers, 1/1/1, 2/2/2 etc. up to 1000/1000/1000, color: White |
| 5060935 | ZB 6/WH-100:UNBEDRUCKT | Zack strip, unprinted: For individual labeling with M-PEN, ZB-T or CMS system, large batch, sufficient for labeling 1000 terminal blocks, for a terminal width of 6.2 mm, color: White |
| 1050499 | ZB 6:SO/CMS | Zack strip, 10-section, divisible, special printing, marking according to customer requirements |
| 1051003 | ZB 6:UNBEDRUCKT | Zack strip, unprinted, strips with 10 labels for individual labeling with M-PEN or CMS system, for terminal block width: 6.2 mm, color: white |
| 0807193 | ZBFM 6/OG:UNBEDRUCKT | Zack marker sheet, flat, unprinted: 100-section, 10 strips à 10 markers, sufficient for 100 terminal blocks, for all terminal blocks, pitch 6.2 mm, labeling with M-PEN or CMS system, color: orange |
| 0803618 | ZBFM 6/WH:UNBEDRUCKT | Zack marker sheet, flat, unprinted: 100-section, 10 strips à 10 markers, sufficient for 100 terminal blocks, for all terminal blocks, pitch 6.2 mm, labeling with M-PEN or CMS system, color: white |
| 0803650 | ZBFM 6:SO/CMS | Special printing, Zack marker sheet, flat, 100-section, divisible, marking according to customer requirements |

Plug/Adapter

| | | |
|---------|----------------|---|
| 2726337 | IB IL SCN-8 | Connector, for digital 1, 2 or 8-channel Inline terminals |
| 2727608 | IB IL SCN-8-CP | Inline connector, colored |

Diagrams/Drawings

Connection diagram



Address

PHOENIX CONTACT Inc., USA
586 Fulling Mill Road
Middletown, PA 17057, USA
Phone (800) 888-7388
Fax (717) 944-1625
<http://www.phoenixcon.com>



© 2011 Phoenix Contact
Technical modifications reserved;