

# AiMC-2100

Micro Computer, Intel® Core™ i7/i5/i3 CPU,  
1 Expansion, 250W 80Plus PSU



## Features

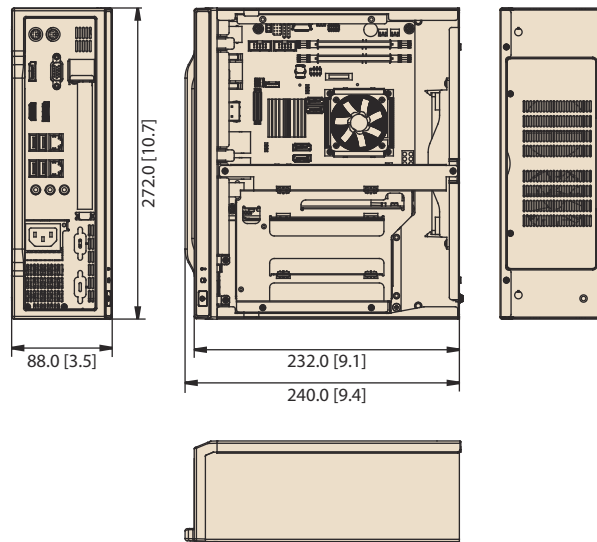
- Intel® QM77 Platform
  - Intel® 3<sup>rd</sup>/2<sup>nd</sup> gen Core™ i7/i5/i3 mobile CPU (PGA)
  - One PCIe x16 Expansion Slot
- Compact, well-thought-out design
  - Two internal, shock-resistant, 2.5" SATA HDD bays
  - Front accessible I/O: VGA+HDMI+Display port, 2 GbE LAN, 4 USB3.0, 2 COM
  - Ruggedized handle for convenient maintenance
  - Easy-to-maintain system fan and reusable filter
- Energy Savings
  - 250W 80Plus PSU

## Specifications

Processor System	CPU	Core i7-3610QE	Core i5-3610ME	Core i3-3120ME	Celeron B810
	Core	4	2	2	2
	Base Frequency	2.3 GHz	2.7 GHz	2.4 GHz	1.6 GHz
	L3 Cache	6 MB	3 MB	3 MB	2 MB
	Chipset	QM77			
	BIOS	AMI 64Mb SPI Flash			
	Technology	Dual Channel DDR3 1066/1333 MHz (Non ECC)			
Memory	Max. Capacity	16 GB (8 GB per DIMM)			
	Socket	204-pin SO-DIMM x 2			
	Controller	Integrated Gfx Gen 7, supports DirectX11, OpenGL 3.1 and OpenCL 1.1			
Expansion slot	PCI Express x16	1: Full-Height: 107 mm / Length: Max. 176 mm			
Ethernet	Interface	10/100/1000 Mbps			
	Controller	LAN1: Intel 82579LM, LAN2: Intel 82583V			
SATA	Max Data Transfer Rate	600 MB/s (SATA 3.0)/ 300 MB/s (SATA 2.0)			
	HDD Bay	2 internal 2.5" (Top: max. 12.5 mm height, Bottom: max. 9.5 mm height)			
I/O Interface	Display	1 VGA + 1 HDMI + 2 Display Port (Max triple display, except i7-2710QE, i5-2510E, i3-2330E & B810 CPU)			
	USB	4 USB3.0			
	Serial	2 (RS-232, COM2 with 5 V/12 V)			
	Mini PCIe	1 internal			
	Cfast	1 internal			
	Audio	3 (Mic-in, Line-out, Line-in)			
	PS/2	2 (1 x keyboard and 1 x mouse)			
Watchdog Timer	Output	System reset			
	Interval	Programmable 1 ~ 255 sec/min			
Power Supply	Output Rating	AC 250W, ATX			
	Input Voltage	100 V <sub>AC</sub> ~ 240 V <sub>AC</sub>			
Cooling	System Fan	2 (6cm / 27.7 CFM)			
	Air Filter	Yes			
Miscellaneous	LED Indicators	Power, HDD, temperature			
	Control	Power on/off switch			
Environment	Operating	0 ~ 40° C (32 ~ 104° F)		Non-operating	
	Temperature			-20 ~ 60° C (-4 ~ 140° F)	
	Humidity	10 ~ 85% @ 40° C, non-condensing		10 ~ 95% @ 40° C, non-condensing	
	Vibration	1Grms, random, 5~500Hz, 3 axes, 1 hr/axis		2Grms, sine wave, 5~500Hz, 3 axes, 1 hr/axis	
	Shock	10G, half sine wave, 11 ms duration			
	EMC	CE/FCC, CCC, BSMI			
	Safety	UL/CB, CCC, BSMI			
Physical Characteristics	Dimension (W x H x D)	272 x 88 x 232 mm			
	Weight	3.5 kg			

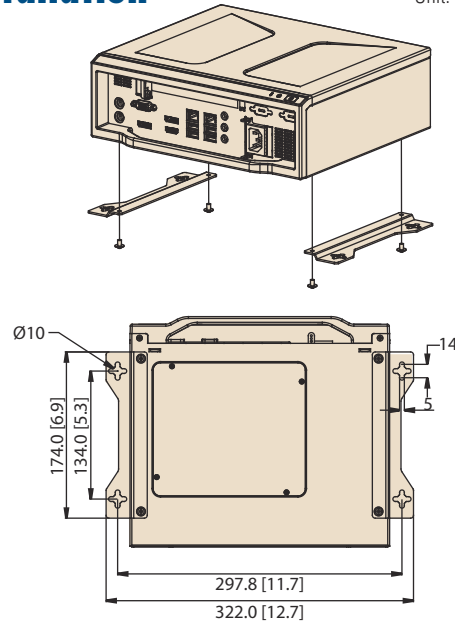
### Dimensions

Unit: mm [inch]

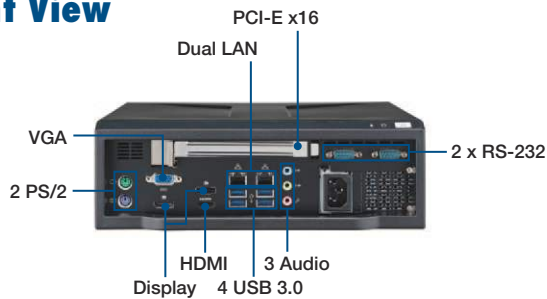


### Installation

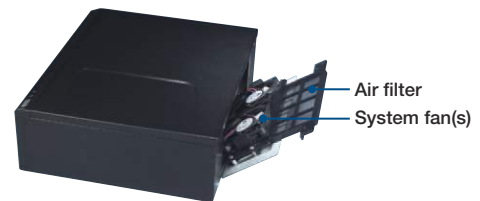
Unit: mm [inch]



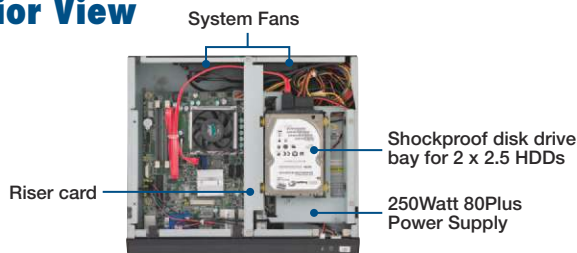
### Front View



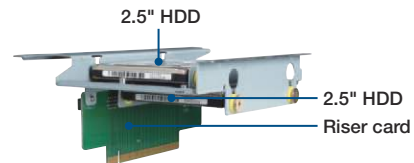
### Rear Cover for Replacing Fans



### Interior View



### 2.5" HDDs and Riser Card Bracket



### Ordering Information

Part Number	Description
AIMC-2100-00A1E	Micro Computer, Intel Core i7/i5/i3 CPU, 1 Expansion, 250W 80Plus PSU

### Optional Accessories

Part Number	Description
98R2662001E	VESA mounting kit

### Packing List

Items	Part Number	Quantity
AIMC-2100 Bare System	AIMC-2100-00A1E	1
CPU Cooler	1960051292N001	1
Driver CD for Mainboard	2066027300	1
SATA Power Cable	1700003194	2
SATA HDD Cable	1703150102	2
Mounting Brackets	1960014487T00C	2
Rubber Foot	1990005896S000	4