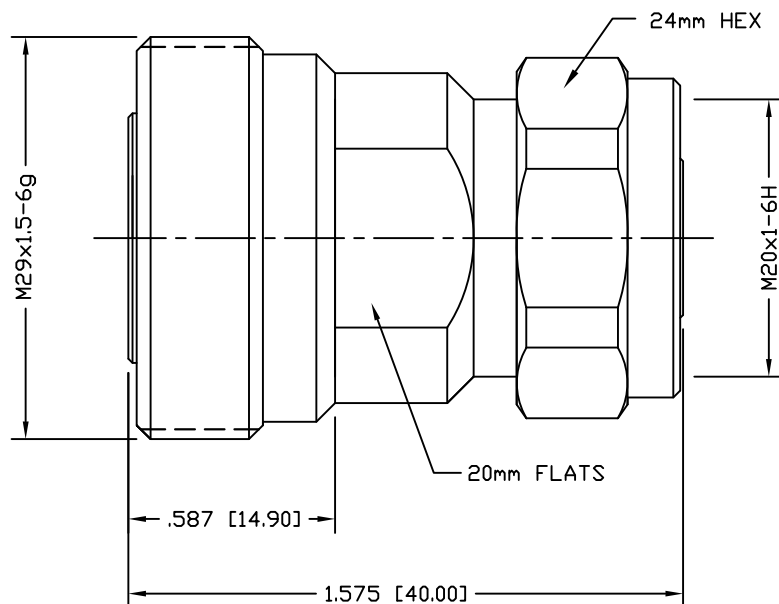


PART NO.

RFD-1681-4

REV	DESCRIPTION	DWN	DATE	APPROVED
B	UPDATED DWG DIMENSIONS & SPECS	CZS	05/15/15	JDMc

**SPECIFICATIONS:**

IMPEDANCE: 50 Ohms

FREQUENCY RANGE: 0-7.5 GHz

PIM: <-160dBc @ 1900 MHz

VSWR: 0 TO 2.5 GHz <1.07:1

VSWR: 2.5 TO 7.5 GHz <1.15:1

INSERTION LOSS: 0.05 dB MAX. TO 3.0 GHz

INSULATION RESISTANCE: 5K Mohms

WORKING VOLTAGE: 1200 vrms MAX.

MATING CYCLES: 500

TEMPERATURE RANGE: -55°C TO 85°C

CUSTOMER
OUTLINE DRAWINGALL DIMENSIONS
ARE REFERENCE ONLYUNLESS OTHERWISE SPECIFIED:
DIMENSIONS ARE IN INCHES
AND [MILLIMETERS]DRAWN
C. ZUNIGA 05/15/15

CHECKED

ORJ DRAWN
C. ZUNIGA 03/14/14**RoHS
COMPLIANT**PROPRIETARY AND CONFIDENTIAL
THIS DRAWING CONTAINS
INFORMATION PROPRIETARY TO
RF INDUSTRIES, ANY
UNAUTHORIZED USE OF THIS
DRAWING IS EXPRESSLY
PROHIBITED WITHOUT WRITTEN
PERMISSION FROM RF
INDUSTRIES. ANY VIOLATION IS
PUNISHABLE UNDER U.S.
COPYRIGHT LAWS.**RFconnectors**
DIVISION OF RF INDUSTRIES, LTD.7610 MIRAMAR RD.
SAN DIEGO, CA 92126
(858) 549-6340
(858) 549-6345 FAX**7/16 DIN JACK TO
4.1-9.5 PLUG ADAPTER**

SIZE	CABLE GROUP	DWG NO.	REV
A	N/A	RFD-1681-4	B
SCALE: NTS		ENGINEERING ID: 000000	SHEET 1 OF 1

#	DESCRIPTION	QTY	MATERIAL	FINISH
6	SHELL	1	BRASS	WHITE BRONZE
5	RETAINING RING	1	PHOS. BRONZE	---
4	O-RING	1	RUBBER	----
3	CONTACT	1	PHOS. BRONZE	SILVER
2	INSULATOR	1	PTFE	---
1	BODY	1	BRASS	WHITE BRONZE