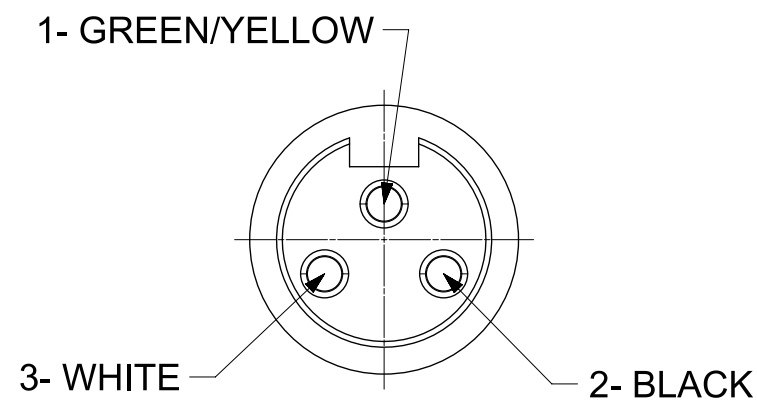
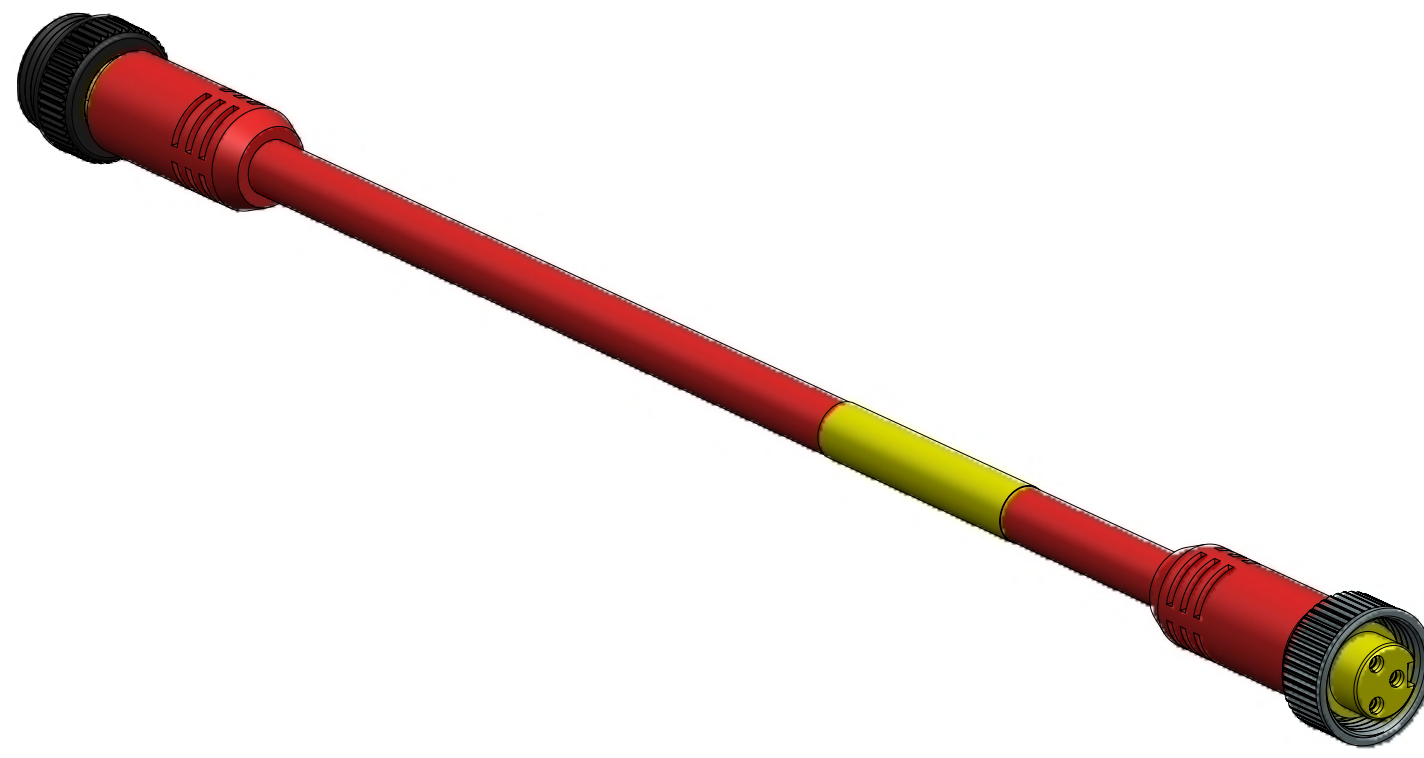
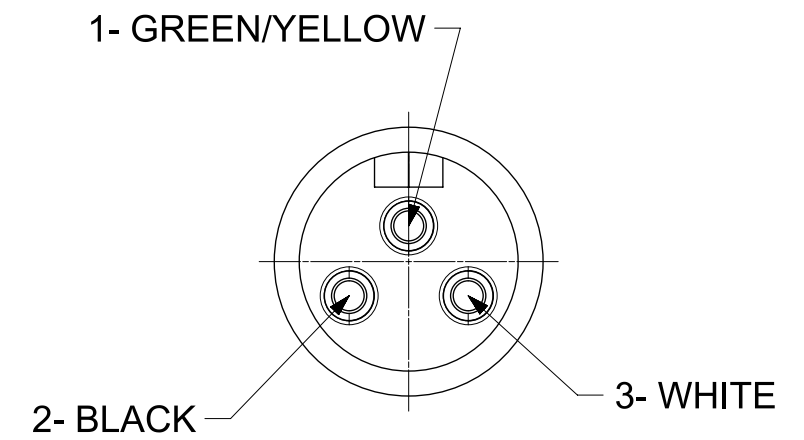


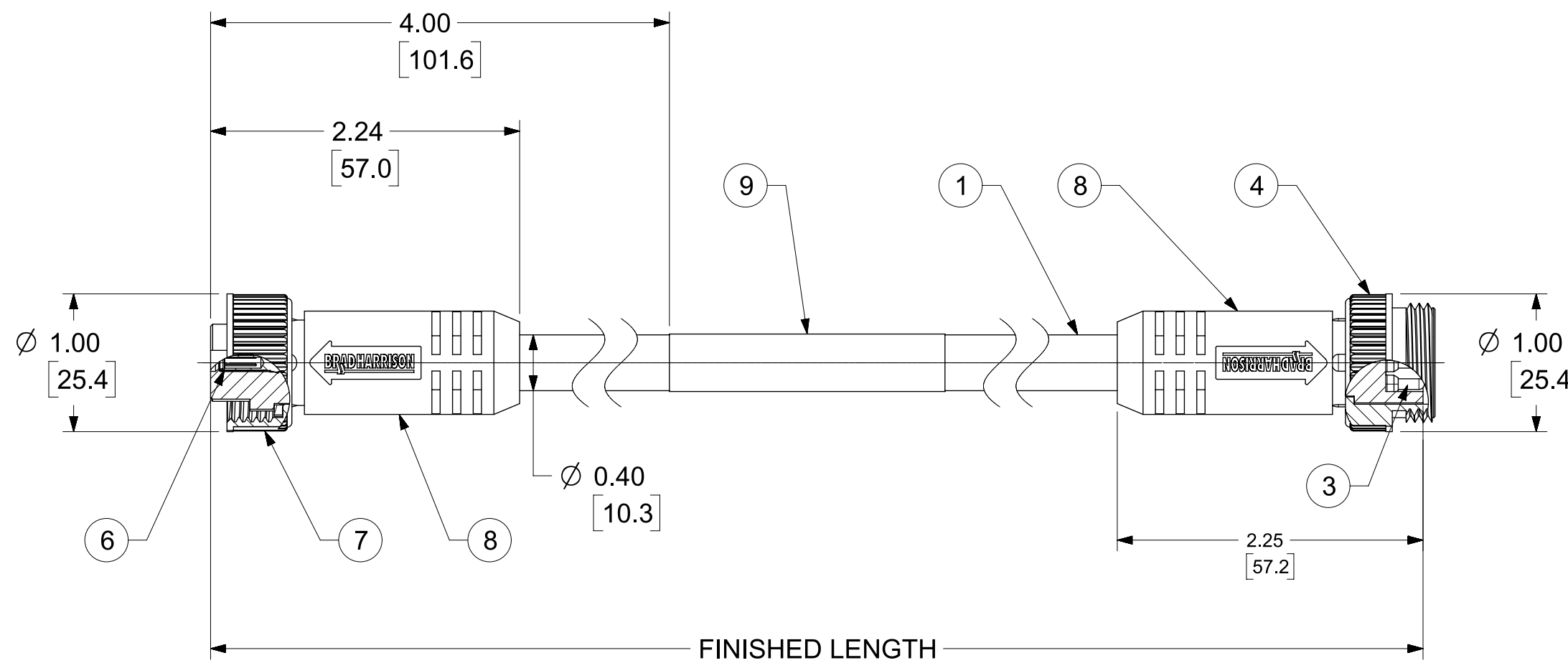
PART NO.	ENGINEERING NO.	LENGTH
1300102110	113030K10M010E	1M (3 FT 3 IN)
1300102162	113030K10M020E	2M (6 FT 7 IN)
1300102168	113030K10M100E	10M (32 FT 10 IN)



FEMALE FACE VIEW



MALE FACE VIEW



- NOTES:
1. MATERIAL: AS NOTED
  2. FINISH: AS NOTED
  3. ELECTRICAL:  
VOLTAGE: 500V PER IEC60664  
600V PER UL2238  
CURRENT: 13A
  4. TEMP RATING: -20°C TO +90°C
  5. PROTECTION: IP67 (WHEN MATED)
  6. COUPLING THREADS: 7/8"-16UN
  7. ADDITIONAL CABLE SPECIFICATIONS:  
TORSIONAL FLEX TEST: 20 MILLION CYCLES  
BEND FLEX TEST: 20 MILLION CYCLES AT 10X OD
  8. ALL DIMS ARE FOR REFERENCE UNLESS TOLERANCED OR NOTED OTHERWISE
  9. UL APPROVAL: PENDING

**PART NUMBER MATRIX**  
**113030K10M010E**

LENGTH  
M001 = .1 METERS  
M010 = 1.0 METERS  
M100 = 10 METERS

SALES DRAWING  
CUSTOMER PRODUCTION APPROVAL  
APPROVED BY: \_\_\_\_\_  
DATE: \_\_\_\_\_  
MUST BE SIGNED AND RETURNED  
BEFORE PRODUCTION WILL BEGIN

ITEM	DESCRIPTION	MATERIAL	FINISH
9	WRAP LABEL	VINYL	BLACK/YELLOW
8	OVERMOLD	TPE	RED
7	FEMALE COUPLER	ZINC DIE CAST	BLACK E-COAT
6	CONTACT SOCKET	COPPER ALLOY	GOLD PLATED
5	FEMALE INSERT (A-SIZE)	TPE	YELLOW
4	MALE COUPLER	ZINC DIE CAST	BLACK E-COAT
3	CONTACT PIN	COPPER ALLOY	GOLD PLATED
2	MALE INSERT (A-SIZE)	TPE	YELLOW
1	CABLE #16-3 AWG TC-ER, FT-4	TPE JACKET	RED

**CABLE LENGTH TOLERANCES**

>.3M [1FT]: +19mm-0 [ +.75in-0]
.3 - .9M [1 - 3FT]: +44.5mm-0 [+1.75in-0]
.9 - 1.8M [3 - 6FT]: +55.6mm-0 [+2.19in-0]
1.8 - 3.7M [6 - 12FT]: +88.9mm-0 [+3.50in-0]
3.7 - 7.3M [12 - 24FT]: +165.1mm-0 [+6.50in-0]
7.3-14.6M [24 - 48FT]: +317.5mm-0 [+12.50in-0]
14.6 - 30.5M [48-100FT]: +622.3mm-0 [+24.50in-0]
OVER 30M [100FT] +2% OF FINISHED LENGTH

SYMBOLS		THIS DRAWING CONTAINS INFORMATION THAT IS PROPRIETARY TO MOLEX ELECTRONIC TECHNOLOGIES, LLC AND SHOULD NOT BE USED WITHOUT WRITTEN PERMISSION	
DIMENSION UNITS	SCALE	CURRENT REV DESC: INITIAL RELEASE	
▽ = 0	<b>HYBRID</b>	1:1	
▽ = 0	GENERAL TOLERANCES (UNLESS SPECIFIED)		
▽ = 0	ANGULAR TOL ± °		
▽ = 0	4 PLACES ±	EC NO: 623053	
▽ = 0	3 PLACES ±	DRWN: MZIELINSKI	2017/09/12
▽ = 0	2 PLACES ±	CHK'D: MZIELINSKI	2019/08/28
▽ = 0	1 PLACE ±	APPR: BWOODMAN	2019/08/29
▽ = 0	0 PLACES ±	INITIAL REVISION:	
▽ = 0	DRAFT WHERE APPLICABLE MUST REMAIN WITHIN DIMENSIONS		
▽ = 0	THIRD ANGLE PROJECTION	DRAWING	SERIES
▽ = 0	C-SIZE	130010	2017/09/12
▽ = 0	MATERIAL NUMBER		2019/08/29
▽ = 0	SEE P/N CHART	CUSTOMER	FORD
▽ = 0	DOCUMENT NUMBER		DOC TYPE   DOC PART   REVISION
▽ = 0	1300102110		PSD 000 A
▽ = 0	SHEET NUMBER		1 OF 1