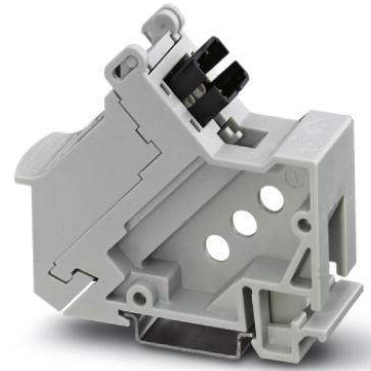


VS-PP-F-SCRJ

Order No.: 1658121



<http://eshop.phoenixcontact.de/phoenix/treeViewClick.do?UID=1658121>

Patch panel, SCRJ, DIN rail mounting, IP20, one slot, socket/socket,
can be used for glass, multi-mode, HCS and polymer fibers

Commercial data

EAN	4046356149167
Pack	1 pcs.
Customs tariff	85366990
Weight/Piece	0.0504 KG
Catalog page information	Page 221 (PC-2009)

Product notes

WEEE/RoHS-compliant since:
01/01/2008



<http://www.download.phoenixcontact.com>
Please note that the data given here has been taken from the online catalog. For comprehensive information and data, please refer to the user documentation. The General Terms and Conditions of Use apply to Internet downloads.

Technical data

Mechanical characteristics

Number of positions	2
Number of slots	1
Connection profile	SCRJ according to DIN EN 50377-6-1
Fiber type	GOF, HCS, POF
Ferrule diameter	2.50 mm

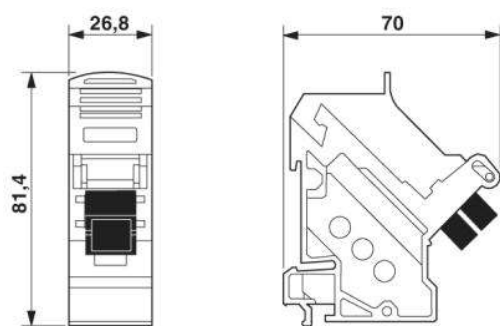
Insertion/withdrawal cycles	≥ 500
External cable diameter	4.5 mm ... 8 mm
Color	gray
Ambient temperature (operation)	-10 °C ... 60 °C

Material data

Inflammability class acc. to UL 94	V0
Housing material	PC-GF
Ferrule material	Zirconia ceramics
Ferrule holder color	White
Degree of protection	IP20

Diagrams/Drawings

Dimensioned drawing



SCRJ patch panel

Address

PHOENIX CONTACT Deutschland GmbH
Flachmarktstr. 8
32825 Blomberg, Germany
Phone +49 5235 3 12000
Fax +49 5235 3 41200
<http://www.phoenixcontact.de>



© 2010 Phoenix Contact
Technical modifications reserved;