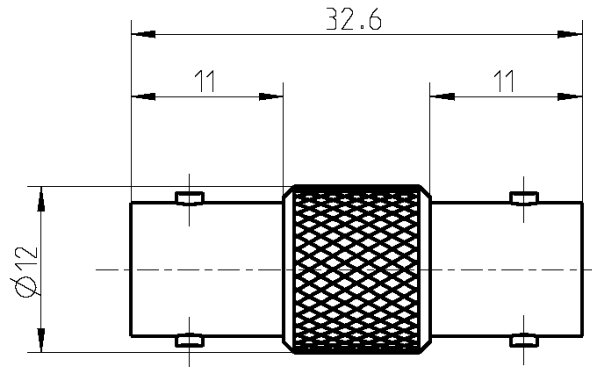
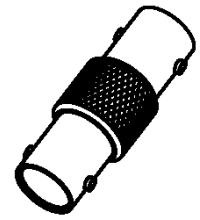


BNC 75 Ω

Adaptor
Jack – Jack

71K101-K00N5



All dimensions are in mm; tolerances according to ISO 2768 m-H

Interface

Compatible to IEC 61169-8, MIL-PRF-39012, CECC 22120

Documents

N/A

Material and plating

Connector parts

Center contact
Outer contact
Body
Dielectric

Material

Spring bronze
Brass
Brass
PTFE

Plating

AuroDur®, gold plated
Flash white bronze over silver(e.g. Optargen®)
Flash white bronze over silver(e.g. Optargen®)

Dieses Dokument ist urheberrechtlich geschützt • This document is protected by copyright • Rosenberger Hochfrequenztechnik GmbH & Co. KG

RFB00035/12.20/6.4

Technical Data Sheet

Rosenberger

BNC 75 Ω

Adaptor
Jack – Jack

71K101-K00N5

Electrical data

Impedance	75 Ω
Frequency	DC to 4 GHz
Return loss	≥ 28 dB @ DC to 0.2 GHz ≥ 18 dB @ 0.2 GHz to 0.5 GHz
Insertion loss	≤ 0.1 x √f [GHz] dB, DC to 0.5 GHz
Insulation resistance	≥ 5 GΩ
Center contact resistance	≤ 1.5 mΩ
Outer contact resistance	≤ 1 mΩ
Test voltage (at sea level)	1500 V rms
Working voltage (at sea level)	400 V rms
Power handling (at 20 °C, sea level, VSWR 1.0)	80 W @ 2 GHz

Mechanical data

Mating cycles	≥ 500
Center contact captivation: axial	≥ 15 N

Environmental data

Temperature range	-45 °C to +85 °C
Thermal shock	MIL-STD-202, Method 107, Condition B
Corrosion resistance	MIL-STD-202, Method 101, Condition B
Vibration	MIL-STD-202, Method 204, Condition B
Shock	MIL-STD-202, Method 213, Condition G
Moisture resistance	MIL-STD-202, Method 106
RoHS	compliant

Tooling

N/A

Suitable cables

N/A

Weight

Weight 12.5 g/pce

While the information has been carefully compiled to the best of our knowledge, nothing is intended as representation or warranty on our part and no statement herein shall be construed as recommendation to infringe existing patents. In the effort to improve our products, we reserve the right to make changes judged to be necessary.

For the installation of the electrotechnical equipment, particular electrotechnical expertise is required.



Draft	Date	Approved	Date	Rev.	Engineering change number	Name	Date
Inge Mühlauer	27.07.04	Chr. Janßen	08.03.21	e00	20-1927	S. Huber-Siegl	08.03.21

Rosenberger Hochfrequenztechnik GmbH & Co. KG
P.O.Box 1260 D-84526 Tittmoning Germany
www.rosenberger.com

Tel. : +49 8684 18-0
Email : info@rosenberger.com

Page
2 / 2