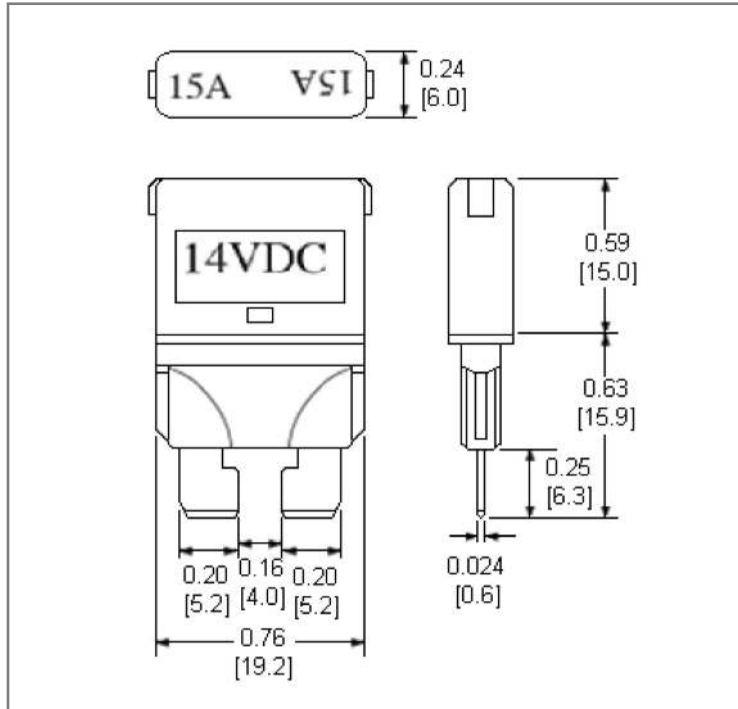


Regular (ATO/ATC Style) Blade Circuit Breaker

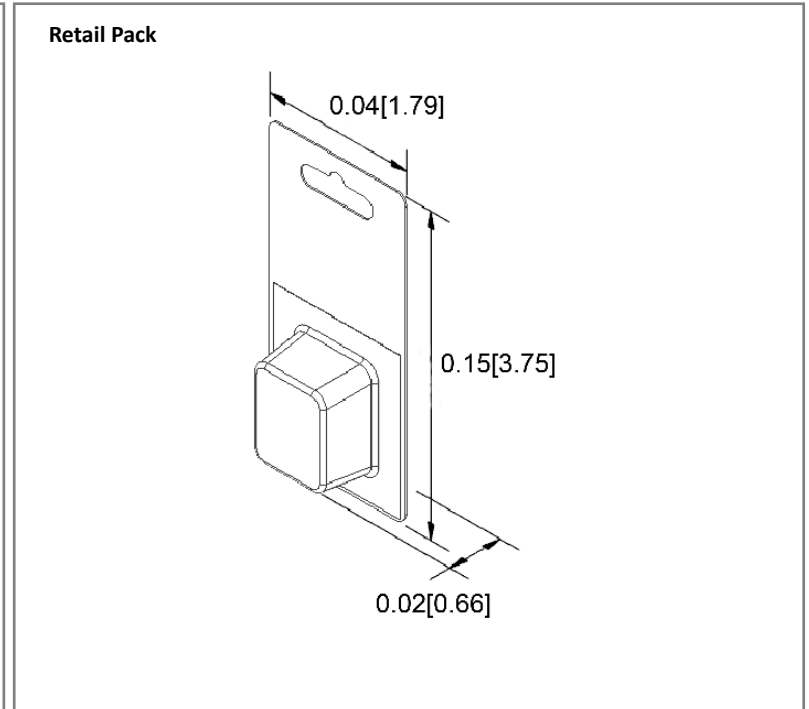
ACBP4-PL



Mechanical Dimensions: Inches [mm]



Retail Pack: Inches [mm]



Part Numbers Information

Amperage	Body Color	Bulk Part #	Retail Pack # Blister Card	Pack Size
5A	Light Brown	ACBP4-PL-5A	ACBP4-PL-5A-BP	1
6A	Black	ACBP4-PL-6A	-	-
7.5A	Brown	ACBP4-PL-7.5A	ACBP4-PL-7.5A-BP	1
8A	Brown	ACBP4-PL-8A	-	-
10A	Red	ACBP4-PL-10A	ACBP4-PL-10A-BP	1
15A	Blue	ACBP4-PL-15A	ACBP4-PL-15A-BP	1
20A	Yellow	ACBP4-PL-20A	ACBP4-PL-20A-BP	1
25A	White	ACBP4-PL-25A	ACBP4-PL-25A-BP	1
30A	Green	ACBP4-PL-30A	ACBP4-PL-30A-BP	1

Electrical Specifications

Voltage Rating	14VDC
Reset Type	Type I - Auto Reset
Operation Temperature	-40°C ~ 85°C
Storage Temperature	-40°C ~ 125°C
Testing	SAE J553 Type I

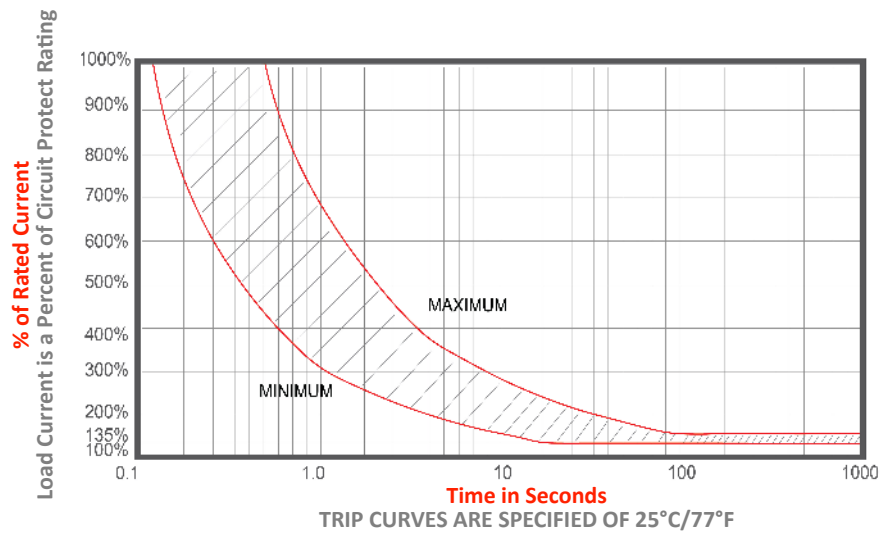
Material Specifications

Regular (ATO/ATC Style) Blade Circuit Breaker	
Body	Thermoplastic – (UL Rated 94-V-0)
Terminals	Tin Plated Brass Alloy

Interrupt Rating

Ampere Rated	Interrupt Rating
5A-10A version	150A @ 14 VDC
15A version	225A @ 14 VDC
20A version	300A @ 14 VDC
25A-30A version	450A @ 14 VDC

Time vs. Percent of Rated Current



Rev Date of issue Revision Notes

Designed Approved

A	05-30-2023	Initial Drawing	RC	OF
---	------------	-----------------	----	----