

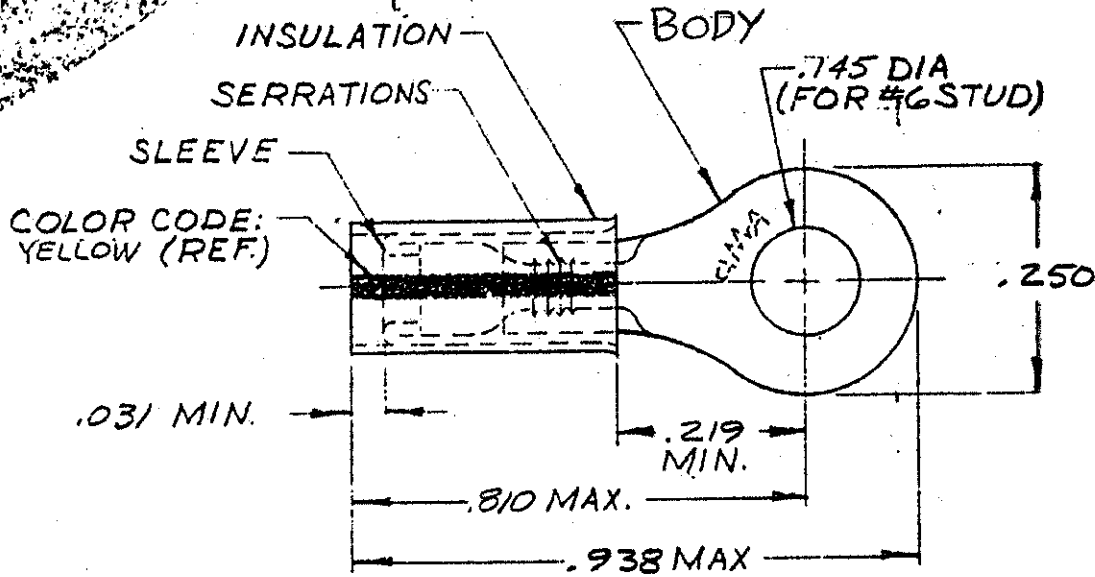
LOC G D.F.S. 14

DRAWING MADE IN THIRD ANGLE PROJECTION

© COPYRIGHT 1978 BY AMP INCORPORATED, HARRISBURG, PA. ALL INTERNATIONAL RIGHTS RESERVED. AMP INCORPORATED PRODUCTS COVERED BY U.S. AND FOREIGN PATENTS AND OR PATENTS PENDING.

REVISIONS				
LTR	DESCRIPTION	DATE	APPROVED	R/F
G	REV PER 063A-0246-99	15 Nov 79	NR/CP	✓
H	REV PER 063A-0582-04	9/04	NR/TM	✓

54593-1




TONGUE MATERIAL THK. = .039 ± .002 FOR .150 TO .230 WIRE INS. DIA.

BODY: COPPER ASTM B152
& TIN/LEAD (93-7) PLATE PER
& ASTM B545 (3% MIN LEAD CONTENT)
SLEEVE:

54593-1

INSULATION: PVF₂
COLOR: TRANSLUCENT

MATERIAL & FINISH		PART NO. ON TAPE		PART NO	
UNLESS OTHERWISE SPECIFIED DIMENSIONS ARE IN INCHES. TOLERANCES ON: DECIMALS ±.008 ANGLES ±5°	CONTRACT NO	 AMP INCORPORATED Harrisburg, Pa.			
	OR C. Kuster 3-2-78				
MATERIAL SEE TABLE	CHK	NAME WIRE TERMINAL			
	APPD	PVF ₂ - PIDG - RING TONGUE			
FINISH SEE TABLE	OSGN APPD	SIZE	CODE IDENT NO	NUMBER	
	J. P. Benschaw 3-2-78	A	00779	54593	
OTHER APPD		SCALE NTS		SHEET 1 OF 1	