





## Safety light curtain

OYA0760-14-4-06-P-1

| Electrical data                              |             |                                                |
|----------------------------------------------|-------------|------------------------------------------------|
| Operating voltage tolerance                  | [%]         | 20                                             |
| Operating voltage                            | [V]         | 24 DC                                          |
| Protection class                             |             | III                                            |
| Reverse polarity protection                  |             | yes                                            |
| Power-on delay time                          | [s]         | < 2                                            |
| Type of light                                |             | infrared light                                 |
| Wave length                                  | [nm]        | 950                                            |
| Receiver                                     |             |                                                |
| Current consumption                          | [mA]        | 83                                             |
| Transmitter                                  |             |                                                |
| Current consumption                          | [mA]        | 42                                             |
| Outputs                                      |             |                                                |
| Electrical design                            |             | PNP                                            |
| Number of OSSD outputs                       |             | 2                                              |
| Max. current load per OSSD output            | [mA]        | 400; (24 V)                                    |
| Short-circuit protection                     |             | yes                                            |
| Detection zone                               |             |                                                |
| Protected area height                        | [mm]        | 760                                            |
| Resolution (detection capacity d)            | [mm]        | 14                                             |
| Protection area width (low light intensity)  | [m]         | 0...3                                          |
| Protection area width (high light intensity) | [m]         | 1...6                                          |
| Response times                               |             |                                                |
| Response time                                | [ms]        | 11                                             |
| Operating conditions                         |             |                                                |
| Applications                                 |             | class C to EN 60654-1 weatherproof application |
| Ambient temperature                          | [°C]        | -10...55                                       |
| Max. relative air humidity                   | [%]         | 95                                             |
| Protection                                   |             | IP 65; IP 67                                   |
| Tests / approvals                            |             |                                                |
| EMC                                          | IEC 61496-1 |                                                |
| Shock resistance                             | IEC 61496-1 |                                                |
| Vibration resistance                         | IEC 61496-1 |                                                |
| Safety classification                        |             |                                                |
| ESPE type (IEC 61496-1)                      |             | 4                                              |
| Complies with the requirements               |             | ISO 13849-1: 2015 category 4, PL e             |
|                                              |             | IEC 61508 SIL 3                                |
|                                              |             | IEC 62061 SIL 3                                |
| Mission time TM                              | [h]         | 175200                                         |
| PFH                                          | [1/h]       | 2,0E-08                                        |

# OY005S



## Safety light curtain

OYA0760-14-4-06-P-1

### Mechanical data

|            |      |                                    |
|------------|------|------------------------------------|
| Weight     | [g]  | 2700                               |
| Dimensions | [mm] | 813 x 28 x 30                      |
| Materials  |      | housing: aluminium; front pane: PC |
| Length L   | [mm] | 813                                |

### Displays / operating elements

|         |  |             |
|---------|--|-------------|
| Display |  | LED, yellow |
|         |  | LED, green  |
|         |  | LED, red    |
|         |  | LED, blue   |
|         |  | LED, orange |

### Accessories

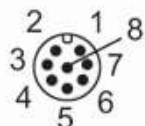
|                |                     |
|----------------|---------------------|
| Items supplied | mounting bracket: 4 |
|                | slot nuts: 4        |
|                | Nuts                |

### Remarks

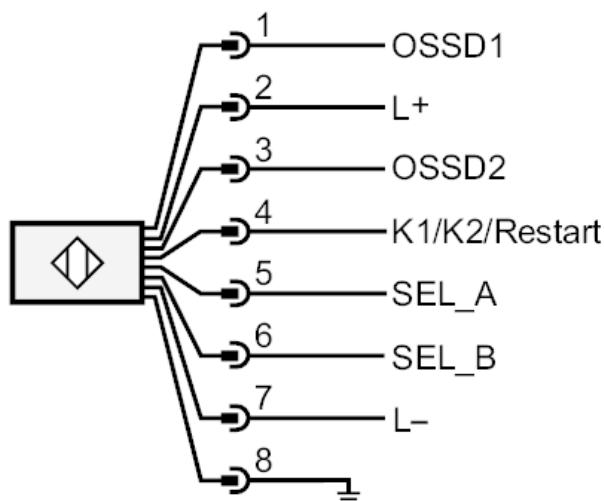
|               |        |
|---------------|--------|
| Pack quantity | 1 pcs. |
|---------------|--------|

### Electrical connection - receiver

Connector: 1 x M12; coding: A; Maximum cable length: 100 m; for wire cross-section 0.34 mm<sup>2</sup>



### Connection



# OY005S

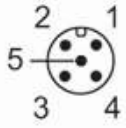


## Safety light curtain

OYA0760-14-4-06-P-1

### Electrical connection - transmitter

Connector: 1 x M12; coding: A



### Connection

