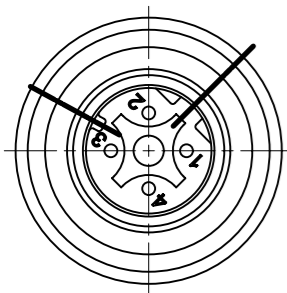


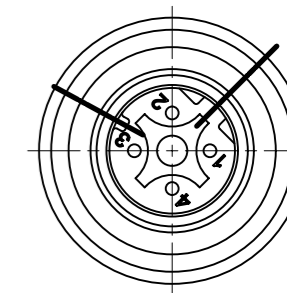
M12 4 POLE MALE



VIEW FROM THE FRONT SIDE

| Pin | Wire color |
|-----|------------|
| 1   | OG         |
| 2   | BU         |
| 3   | OG/WH      |
| 4   | BU/WH      |

M12 4 POLE MALE



VIEW FROM THE FRONT SIDE

| Pin | Wire color |
|-----|------------|
| 1   | OG         |
| 2   | BU         |
| 3   | OG/WH      |
| 4   | BU/WH      |

PART No. MATRIX

**E W W A 0 6 0 0 3 M X X X**

E=ETHERNET

HEADS:  
W=M12 4-Pole Ultra Lock D-Coding  
W=M12 4-Pole Ultra Lock D-Coding

HEADS STYLE:  
060=MALE STR / MALE STR

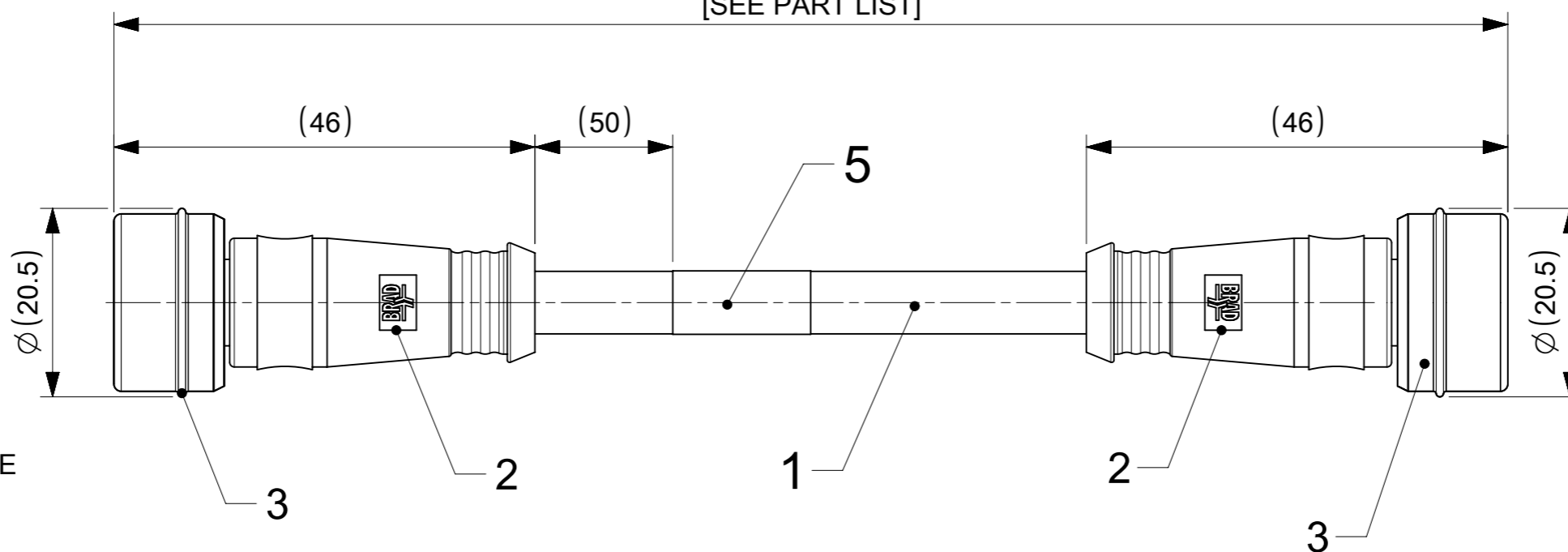
CABLE TYPE

UNITS:  
M=METER  
T=10x METER

LENGTH EXAMPLES:  
005=0.5m  
010=1m  
150=15m

WIRING TYPE:  
A=4 Pole (STRAIGHT WIRED)

L+Tol.  
[SEE PART LIST]



VIEW FROM THE FRONT SIDE

VIEW FROM THE FRONT SIDE

BOM

| ITEM | QTY. | DESCRIPTION             | MATERIAL | FINISH / COLOR      |
|------|------|-------------------------|----------|---------------------|
| 5    | 1    | WRAP LABEL              | VINYL    | WHITE               |
| 4    | 8    | CONTACT MALE            | BRASS    | GOLD OVER Ni-PLATED |
| 3    | 2    | ULTRALOCK MALE ASSEMBLY | -        | -                   |
| 2    | -    | MOULDING MATERIAL       | TPU      | BLACK               |
| 1    | -    | ETHERNET CABLE-CAT5E    | PVC      | TEAL                |

PART LIST

| MOLEX PN   | ENGINEERING No | L+Tol. [mm] |
|------------|----------------|-------------|
| 1201080065 | EWWA06003M006  | 600 +45     |
| 1201080066 | EWWA06003M010  | 1000+56     |
| 1201080067 | EWWA06003M100  | 10000+317   |
| 1201080068 | EWWA06003M020  | 2000 +89    |
| 1201080069 | EWWA06003M050  | 5000+165    |

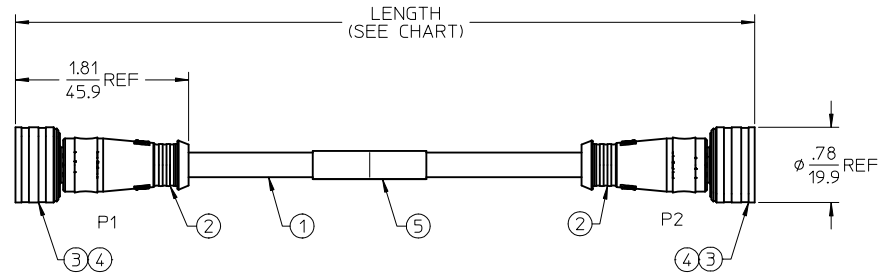
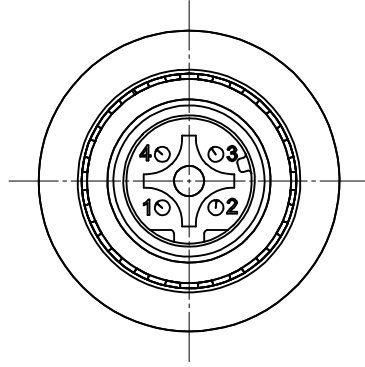
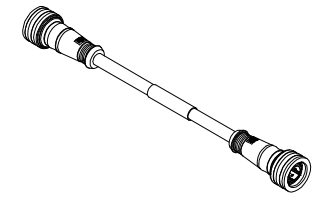
NOTES :

ACC. TO CAT5e ETHERNET STD.  
MAX. VOLTAGE : 30V  
MAX. CURRENT : 1.5A  
IP RATING : IP67  
TEMPERATURE RANGE : -20°C TO +75°C

|                    |  |  |  |  |  |  |
|--------------------|--|--|--|--|--|--|
| FUNCTIONAL SYMBOLS | THIS DRAWING CONTAINS INFORMATION THAT IS PROPRIETARY TO MOLEX ELECTRONIC TECHNOLOGIES, LLC AND SHOULD NOT BE USED WITHOUT WRITTEN PERMISSION                                      | CURRENT REV DESC:  |  |  |  |  |
|                    | DIMENSION UNITS: mm<br>SCALE: 3:2<br>GENERAL TOLERANCES (UNLESS SPECIFIED)<br>ANGULAR TOL ± 1.0°<br>4 PLACES ±<br>3 PLACES ±<br>2 PLACES ± 0.05<br>1 PLACE ± 0.3<br>0 PLACES ± 0.5 | EC NO: 703538<br>DRWN: SSM 2022/03/28<br>CHK'D: RSILLER 2022/04/22<br>APPR: RSILLER 2022/04/22 |  |  |  |  |
| DIVISIONAL SYMBOLS | DRAFT WHERE APPLICABLE MUST REMAIN WITHIN DIMENSIONS   |  | THIRD ANGLE PROJECTION   |  | DRAWING: A3-SIZE<br>SERIES: 120108<br>MATERIAL NUMBER: SEE PART LIST<br>CUSTOMER: GENERAL MARKET |  |
|                    | INITIAL REVISION:<br>DRWN: SSM 2022/03/28<br>APPR: RSILLER 2022/04/22  |  | DOCUMENT NUMBER: 1201080065<br>DOC TYPE: PSD<br>DOC PART: 000<br>REVISION: A |  | SHEET NUMBER: 1 OF 1   |  |

|                 |    |              |            |          |
|-----------------|----|--------------|------------|----------|
| DOCUMENT STATUS | P1 | RELEASE DATE | 2022/04/22 | 06:35:57 |
|-----------------|----|--------------|------------|----------|

| PART NUMBER | ENGINEERING NO. | LENGTH                              |
|-------------|-----------------|-------------------------------------|
| 1201080066  | EWWA06003M010   | 3' 3" +1.75 - 0 [ 1M +44.5MM - 0 ]  |
| 1201080069  | EWWA06003M050   | 16' 4" +6.0 - 0 [ 5M +150.0MM - 0 ] |



| P1 |            | P2 |
|----|------------|----|
| 1  | ORANGE     | 1  |
| 2  | BLUE       | 2  |
| 3  | ORG/WHITE  | 3  |
| 4  | BLUE/WHITE | 4  |

WIRING DIAGRAM

- NOTES:
- 1) MATERIAL: SEE TABLE
  - 2) FINISHES: SEE TABLE
  - 3) WRAP LABEL IS MARKED WITH P/N, DATE CODE, VOLTAGE & AMPERAGE.
  - 4) MATES WITH: MICRO CHANGE, 4 POLE RECEPTACLE
  - 5) ELECTRICAL DATA:  
 ACCORDING TO CAT5e ETHERNET STANDARD  
 INLINE CORDSET  
 MALE D-CODING TO MALE D-CODING  
 24AWG UNSHIELDED  
 POLES: 4  
 MAX. VOLTAGE: 125V  
 MAX. CURRENT 1.5A  
 CONTACT RESISTANCE: <5M Ohm  
 INSULATION WITHSTAND: >100M Ohm  
 PROTECTION IP67  
 TEMPERATURE RANGE: -25°C TO 75°C  
 UL E200650
  - 6) PACKAGING:  
 CABLE ASSEMBLIES ARE BAGGED SEPERATELY  
 IN POLY BAGS WITH BAR CODE LABEL ATTACHED  
 TO OUTSIDE OF BAG.
  - 7) ASSEMBLY IS RoHS COMPLIANT.

SALES DRAWING

| ITEM | QTY. | DESCRIPTION              | MATERIAL     | FINISH       |
|------|------|--------------------------|--------------|--------------|
| 5    | 1    | LABEL                    | PLASTIC FILM | BLACK/YELLOW |
| 4    | 8    | SOCKET CONTACT           | COPPER ALLOY | GOLD PLATED  |
| 3    | 2    | M12 ULTRA-LOCK HEAD ASSY | TPE          | BLACK        |
| 2    | 2    | OVERMOLD                 | PVC          | BLACK        |
| 1    | 1    | ETHERNET CABLE-CAT5E     | PVC JACKET   | BLACK        |
|      |      |                          |              |              |
|      |      |                          |              |              |

|   |                 |
|---|-----------------|
| RELEASE DWG<br>EC NO: WNAZ009-0634<br>DRW: BRUPERT 2009/04/01<br>CHK: WOODMAN<br>APPR: J. MURPHY 2009/04/08 | QUALITY SYMBOLS |
|   | =0<br>=0        |
|   | DESCRIPTION     |
|   | REV: A          |

GENERAL TOLERANCES (UNLESS SPECIFIED)

|          | mm     | INCH    |
|----------|--------|---------|
| 4 PLACES | ± .005 | ± .0005 |
| 3 PLACES | ± .005 | ± .0005 |
| 2 PLACES | ± .005 | ± .0005 |
| 1 PLACE  | ± .005 | ± .0005 |

ANGULAR ±1/2°

DRAFT WHERE APPLICABLE MUST REMAIN WITHIN DIMENSIONS

| DIMENSION STYLE |          |
|-----------------|----------|
| IN/MM           |          |
| DRAWN BY        | DATE     |
| B. RUPERT       | 03/30/09 |
| CHECKED BY      | DATE     |
| WOODMAN         | 03/30/09 |
| APPROVED BY     | DATE     |
| J. MURPHY       | 03/30/09 |
| MATERIAL NO.    |          |
| SEE CHART       |          |
| SIZE            |          |
| C               |          |

| SCALE   | DESIGN UNITS | THIRD ANGLE PROJECTION |
|---|--------------|------------------------|
| 1:1   | INCH         |                        |
| TITLE<br><b>MIC 4P M/MP<br/>           ULOCK ST/ST</b>  |              |                        |
| <b>MOLEX INCORPORATED</b>   |              | SHEET NO.<br>1 OF 1    |
| DOCUMENT NO.<br><b>SD-120108-010</b>  |              |                        |
| THIS DRAWING CONTAINS INFORMATION THAT IS PROPRIETARY TO MOLEX INCORPORATED AND SHOULD NOT BE USED WITHOUT WRITTEN PERMISSION |              |                        |