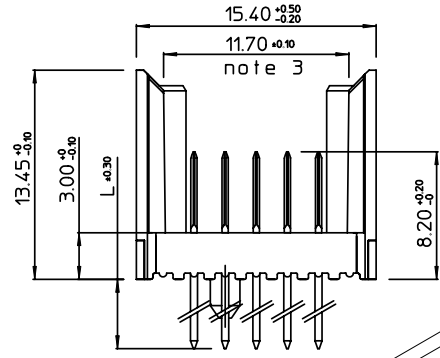
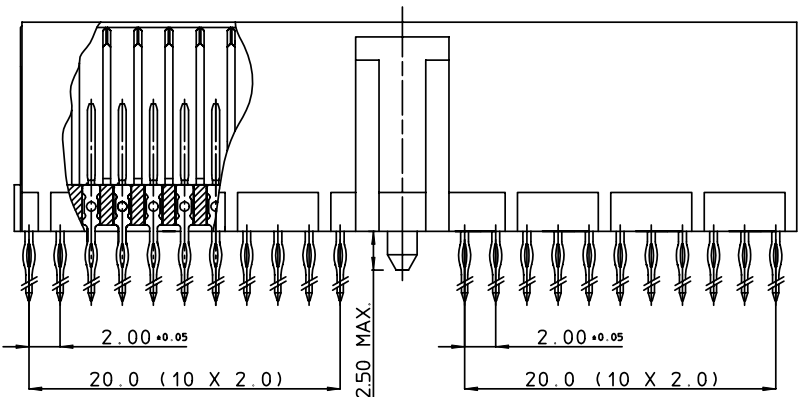


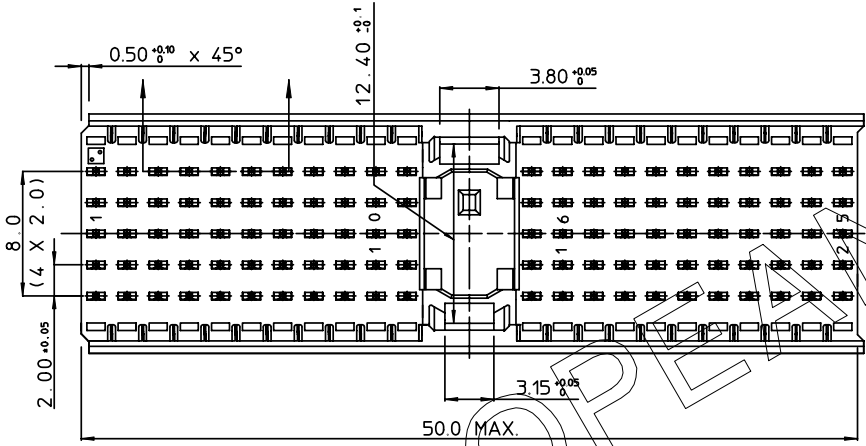
REV.	DATE	DESCRIPTION	BY	C'K'D'
A	2001-09-14	CONVERSION REVISION 07	KN	
B	2005-10-05	105-0184	ALEX B	BKP
C	2006-07-04	106-0096	VIVEK	BKP



PERFORMANCE CHARACTERISTICS

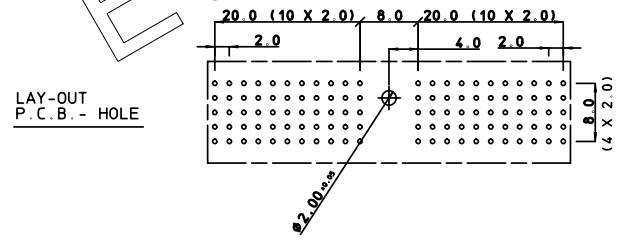
CURRENT RATING : 1.5 A AT 20°C (FULLY LOADED)
 1 A AT 70°C (FULLY LOADED)
 RATED VOLTAGE : 500 V AC (CONT / CONT)
 OPERATING TEMPERATURE : -55°C TO 125°C
 CONTACT RESISTANCE : 20 mΩ MAX
 INSERTION FORCE : 0.75 N MAX / CONT
 EXTRACTION FORCE : 0.15 N MIN / CONT
 INSULATION RESISTANCE : 10⁴ MΩ MIN

CAT. NR.	L ±0.3	DESCRIPTION
HM2P07PD5110----	3.7	SHORT PRESS-FIT
HM2P07PC5110----	4.5	SHORT PRESS-FIT
HM2P07PK5110----	13	REAR PLUG-UP: LEVEL 1
HM2P07PM5110----	14.5	REAR PLUG-UP: LEVEL 2
HM2P07PN5110----	16	REAR PLUG-UP: LEVEL 3
HM2P07PT5110----	13	WIRE WRAP



NOTES

- *HM2P07P#5110- (REFER DWG No. BS.C ,201844,003)
 LEAD FREE INDICATOR : LF=LEAD FREE (DIGIT 15&16)
- THIS PRODUCT IS CSA APPROVED.
 THIS PRODUCT IS UL RECOGNIZED.
- MEASURED AT THE BOTTOM.
- FOR RECOMMENDED PTH DIMENSIONS REFER DRAWING : BS,A ,201572,001
- THE PRODUCT (LF) MEETS EUROPEAN UNION DIRECTIVES AND OTHER COUNTRY REGULATIONS AS DESCRIBED IN GS-22-008



LAY-OUT P.C.B. - HOLE

MALE SIGNAL STRAIGHT PRESS-FIT-TO-BOARD CONNECTOR				
WITH SERVICECENTER (WIDE BODY)				
1DEC ±0.2 2DEC ±0.1 ANGLES ±1°	APPR. DRAFT CHECKED	DATE 1995-10-10	SIGN. W. Panis	MILLIPACS 2 / MALE BODY / STYLE A
CAT. No. HM2P07P#5110----				SCALE
www.fciconnect.com				3 / 1
ALL DIMENSIONS IN MM				
REFERENCES				
BS.C ,201632,001				
DRAWING No.			CUSTOMER DRAWING	
PDM: Rev:C			STATUS: Released	
8			7	
6			5	
4			3	
2			1	
Printed: Dec 01, 2007			REVISION	

THIS IS OUR EXCLUSIVE PROPERTY. IT IS NOT TO BE COPIED, REPRINTED OR DISCLOSED TO A THIRD PARTY, NOR USED FOR MANUFACTURING WITHOUT OUR WRITTEN CONSENT, AND HAS TO BE RETURNED TO US IN CASE OF NO USAGE
 DIT IS ONZE EIGENDOM EN MAG NIET HANDEMAAKT, HERDRUKT, OVERGEHAAKT AAN DEREN, NOCH VOOR FABRIKATIE GEBRUIKT WORDEN, ZONDER ONZE SCHRIFTELIJKE TOELATING. BIJ NIET GEBRUIK IS TERUGGEGANGEN VERPLICHT.