

# EdgeReady™ Micro Data Center



Wall-Mount, 9U Usable, 1.5 kVA, 120V

## Benefits

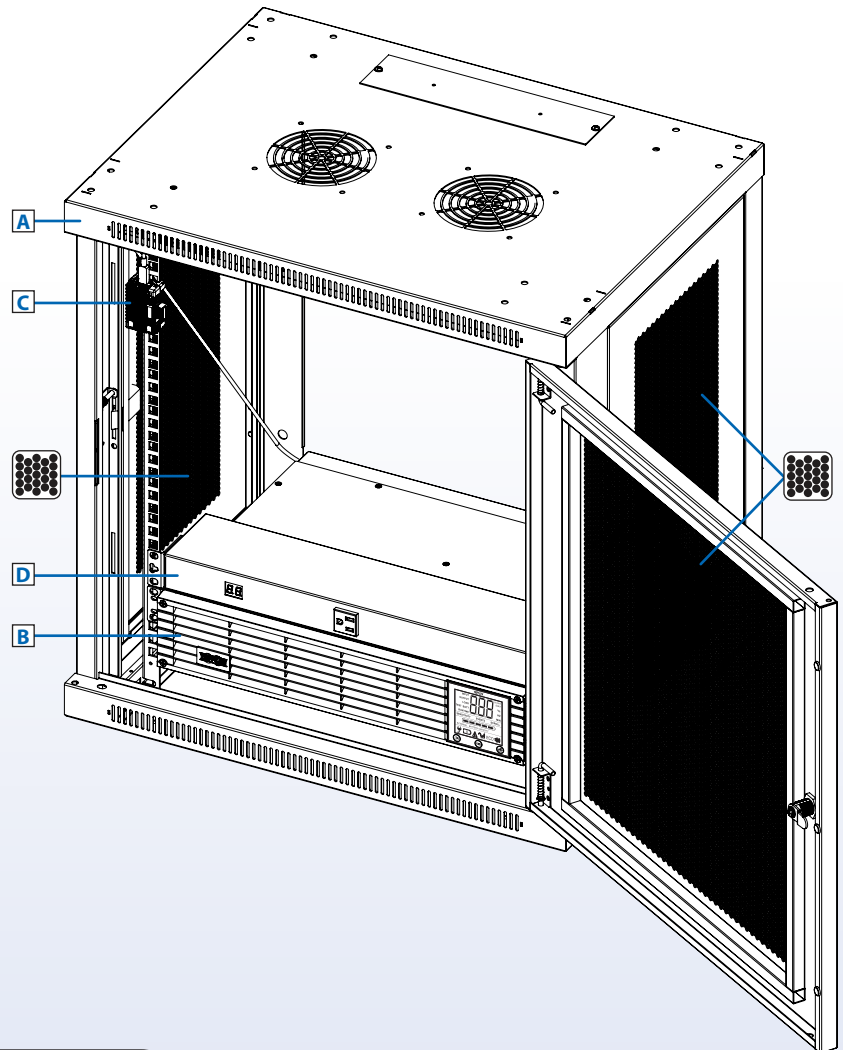
- Provides preconfigured IT infrastructure for edge computing servers, storage and network hardware in locations without available floor space
- Integrates secure rack space, reliable power distribution, battery backup, remote management and passive cooling
- Prevents configuration errors, reduces installation time, decreases field costs and standardizes edge computing infrastructure
- Kit ships three business days from receipt of order, after design validation by solution experts

## Included Hardware

- A** SRW12U Wall-Mount Rack Enclosure
- B** SMART1500RM2UN SmartPro® UPS System with Pre-Installed WEBCARDLX Network Management Card
- C** E2MTHDI Environmental Sensor (Temperature/Humidity/Digital Inputs)
- D** PDUMH15-6 Metered PDU

Kit includes major components ready for final assembly on-site.

See Next Page for Customization Options



## Specifications

<b>Model (Kit)</b>	<b>MDK1W09UPX00000</b>
Model (Assembled/Tested)	Not Available for Wall-Mount Units
Output Power Capacity	1.5 kVA/1.35 kW/11.25A Max
Rack Space	12U Total; 9U Usable
Weight Capacity	200 lb. (90 kg) Total; 100 lb. (45 kg) Usable
Maximum Device Depth	16.5 in. (419 mm)
Site Power Requirements	120V, 15A, 50/60 Hz
Site Outlet Required	NEMA 5-15R
UPS Type	Line-Interactive with Sine Wave Output
Runtime (50%/100% Load)	13/4.5 min.
High-Availability Features	Automatic Voltage Regulation (AVR); Battery Backup; Hot-Swappable Batteries
Usable Outlets (UPS + PDU)	(20) NEMA 5-15R
Dimensions (Assembled)	25.1 x 23.63 x 17.7 in. (637 x 600 x 449 mm)
Weight (Assembled)	100 lb. (45 kg)
Warranty*	2-Year Limited Warranty (Extendable)

\* Any component with a warranty longer than 2 years will be covered by the longer warranty.



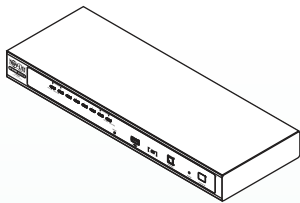
Powering and Connecting Your World

# Unlimited Micro Data Center Customization

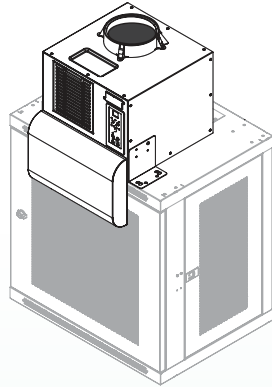
Tripp Lite's solutions team is standing by to help you tailor your EdgeReady micro data center to match the business and technology requirements of your edge deployment strategy. We ship custom solutions in as little as five business days.

We can help you customize your EdgeReady micro data center in several ways:

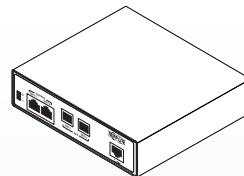
- Quick and easy customization via add-on accessories for the stock configurations
- Upgrades to included components of stock configurations with ready-to-ship alternatives
- Customization of individual components like racks, PDUs and cables (increases lead time)



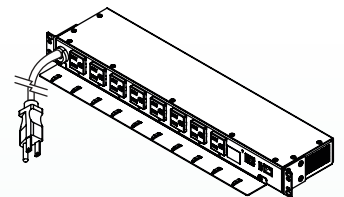
**B022-U08-IP**  
1U KVM Switch with 8 Ports  
and Remote Access



**SRCOOL2KWM**  
Top-Mounted  
Air Conditioning Unit  
(0.6 kW)



**B093-004-2E4U**  
4-Port Console Server  
with Modem Support for  
Fail-Safe Access



**PDUMH15NET2LX**  
1U Switched PDU  
with Remote Current  
Monitoring, Alerts and  
Outlet Control

## Optional Accessories, Sold Separately (Visit [tripplite.com](http://tripplite.com) to see the full selection.)

Switched PDU	<b>PDUMH15NET2LX</b> with (8) NEMA 5-15R; 1U (Replaces standard PDU.)
Cooling	<b>SRCOOL2KWM</b> (0.6 kW; Top-Mount; NEMA 5-15P)
KVM Switch	<b>B022-U08-IP</b>
Console Server	<b>B093-004-2E4U</b>
Door Monitoring Kit	<b>SRSWITCH</b> (Monitors front/rear doors.)
Airflow Management	<b>SR1UPANEL10</b> and/or <b>SR1UBRUSH</b>
Cable Managers	40+ Horizontal, Vertical and External Cable Management Options at <a href="http://tripplite.com">tripplite.com</a>
Power Cords	Match to IT Equipment; 250+ Power Cord Options at <a href="http://tripplite.com">tripplite.com</a>
Network Cables	Match to IT Equipment; 1000+ Copper and Fiber Network Cable Options at <a href="http://tripplite.com">tripplite.com</a>
Patch Panels	60+ Copper and Fiber Patch Panel Options at <a href="http://tripplite.com">tripplite.com</a>
Additional Sensors	<b>E2MT</b> (Connect up to 3 sensors total per <b>WEBCARDLX</b> to monitor top/middle/bottom temperature.)

1111 W. 35th Street, Chicago, IL 60609 USA | 773.869.1236 | [tripplite.com](http://tripplite.com)



Powering and Connecting Your World