

GlobTek, Inc. www.globtek.com 186 Veterans Drive, Northvale, NJ 07647 Tel. (201) 784-1000 Fax (201) 784-0111	Drawing Title: CONNECTOR, 3,5 X 1.35MM, FEMALE BARREL PLUG REWIREABLE	
	Model No. Low voltage cable	Part No./Ordering No. W00

In Addition to GlobTek Inc.'s renewed ISO9001:2008 - Quality Management System Certification, GlobTek Inc. is now certified to:

ISO13485:2003 - Medical Devices Quality Management System Certification
ISO14001:2004 - Environmental Management System Certification

ISO Certificates are available online at <http://www.globtek.com/iso-certificates/>

The acceptance of this specification and use of the product described in this document indicates the acceptance and binding of the customer to Globtek TERMS AND CONDITIONS (attached to the end of this document), which supersede all other agreements, terms, and conditions (<http://en.globtek.com/terms-and-conditions/>).

Prop 65 Statement:<https://en.globtek.com/prop-65-statement.pdf>

Footnote:

GlobTek Inc. will not be liable for the safety and performance of these power supplies if unauthorized access and repair occurs. End user should consult applicable UL, CSA or EN standards for proper installation instruction.

Limitation of Use:

GlobTek products are intended for use with commercial, medical, and/or industrial equipment only. GlobTek product are not authorized for use as mission critical components in life support hazardous environment, nuclear or aircraft applications without prior written approval from the CEO of GlobTek Inc.

Contents of this document are subject to change without prior notice.

Customer Approval of Specification:

Please approve, sign and send back to GlobTek so we can complete order processing.

A delay in receipt of this form will delay delivery schedule.

Company Name: _____	Customer P/N: _____
Quote Number: _____	Date: _____
Authorized Representative Name: _____	Authorized Representative Signature: _____

GlobTek, Inc. www.globtek.com 186 Veterans Drive, Northvale, NJ 07647 Tel. (201) 784-1000 Fax (201) 784-0111	Drawing Title: CONNECTOR, 3.5 X 1.35MM, FEMALE BARREL PLUG REWIREABLE	
	Model No. Low voltage cable	Part No./Ordering No. W00

REVISION HISTORY

REV	DESCRIPTION	SUB	DATE	APPROVED
C	Update Barrel plug with Internal Spring Clip and Locking Nitch dimensions from 1.35±0.1*3.50mm to 1.35+0.1/-0*3.50mm, Barrel length from 9.3±0.5mm to 9.0±0.3mm	QA	08/04/2023	QA
B	Update description to "CONNECTOR, 3.5 X 1.35MM, FEMALE BARREL PLUG REWIREABLE" Update Ø1.3mm to 1.35+0.1/-0mm, length 9.5mm to 9.3±0.5mm, add length 35.0mm	QA	03/26/2023	QA
A1	UPDATE TO LATEST FORMAT	DR	05/25/2020	QA
A	INITIAL RELEASE, RFS. 13186, BS	DR	03/14/2008	QA

AGENCY ONLINE DOCUMENTS

<http://en.globtek.com/cordsets/>

RoHS/RoHS3 Declaration

https://www.globtek.com/pdf/rohs_cert/01t3000002p9QKAAAY

REACH Declaration

https://www.globtek.com/pdf/iso_certificates/REACH.pdf

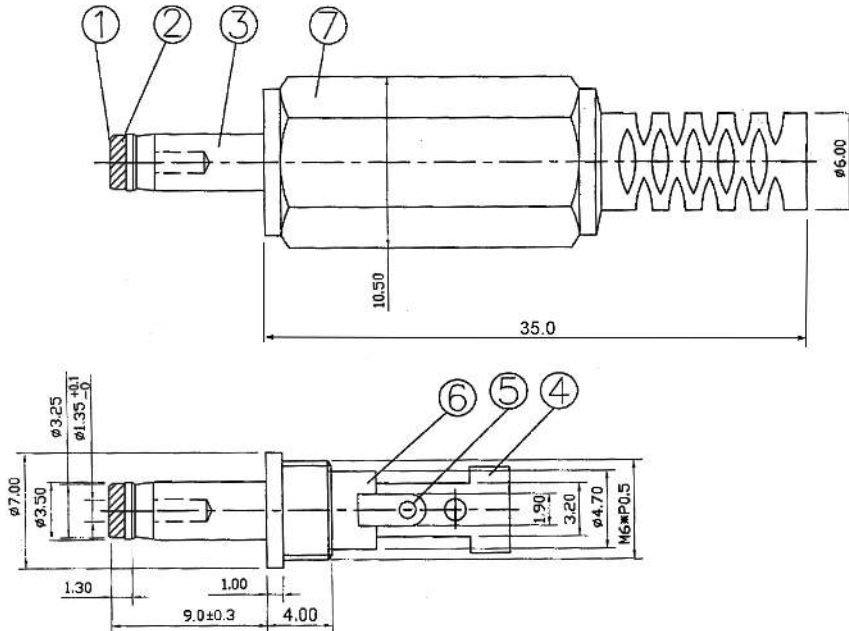
Conflict Minerals Declaration

<https://www.globtek.com/pdf/conflict-minerals.pdf>

Prop 65 Statement

<https://en.globtek.com/prop-65-statement.pdf>

IPXY rating is based on 3rd party testing and customers should check suitability and test system level IPXY rating before ordering.



7.	Housing	PE	1	Black Color
6.	Insulator	PA66+30%G	1	Blue Color
5.	Terminal	Brass	1	Nickel Plated
4.	Ground Terminal	Brass	1	Nickel Plated
3.	Outer Sleeve	Brass	1	Nickel Plated
2.	Insulator Ring	ABS	1	Black Color
1.	Inner Barrel	Brass	1	Nickel Plated
NO.	Description	Material	QTY	Finish

PROPRIETARY INFORMATION

PROPRIETARY OF GLOBTEK, INC. ANY REPRODUCTION, DISCLOSURE OR USE OF THIS DRAWING, IN WHOLE OR IN PART, IS HEREBY PROHIBITED EXCEPT AS SPECIFIED IN WRITING BY GLOBTEK, INC. © GlobTek, Inc. 2012 - 2023

GlobTek, Inc. www.globtek.com 186 Veterans Drive, Northvale, NJ 07647 Tel. (201) 784-1000 Fax (201) 784-0111	Drawing Title: CONNECTOR, 3,5 X 1.35MM, FEMALE BARREL PLUG REWIREABLE	
	Model No. Low voltage cable	Part No./Ordering No. W00
		Rev C

PACKAGING

Packing Spec P/N:

Box Qty: 1

Gift Box Size (mm):

Gift Box Color: White

Master Carton Size (mm): TBD

Master Carton Cubic Volume (m³): 0.00

Master GW (Kg): kg

wt Ea. (Kg): kg

wt Ea. (Kg): kg

LABEL SPECS: ,

PACK SPEC: