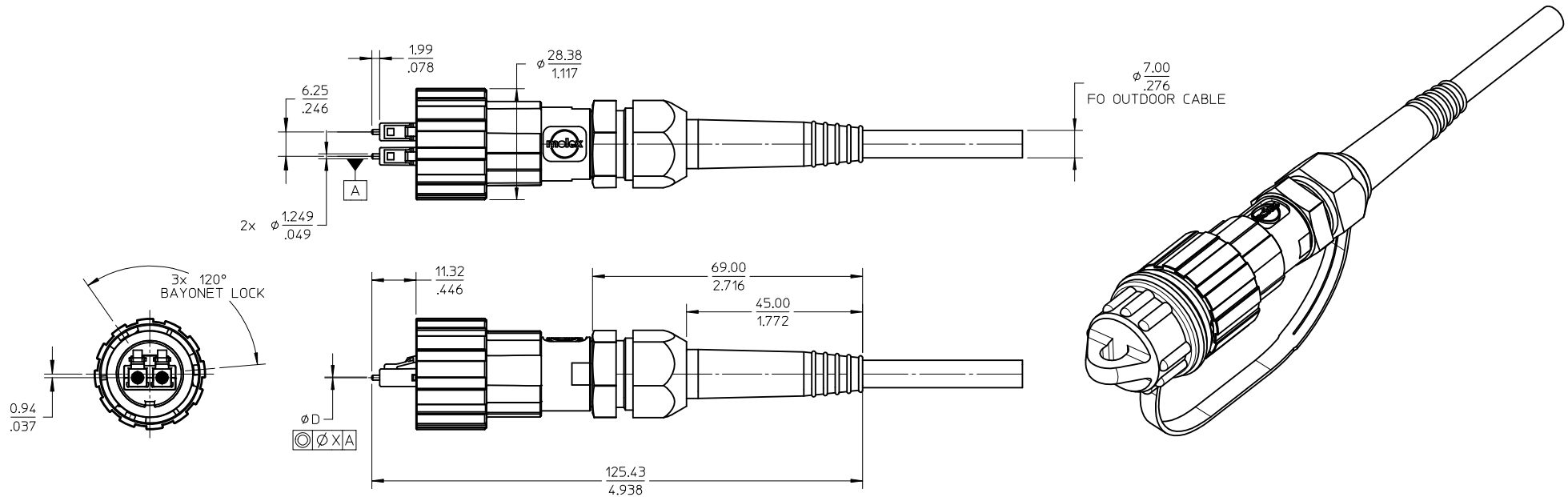


| PLUG ASSY P/N | CABLE TYPE  | ØD (H)        | ØX (H) |
|---------------|-------------|---------------|--------|
| 1060597100    | MULTIMODE   | 127 +3/-0     | 3      |
| 1060597500    | SINGLE MODE | 125.5 +0.5/-0 | 0.5    |



NOTES:  
 1. ALL DIMENSIONS SHOWN ARE FOR REFERENCE ONLY.  
 2. DUST CAP AND TETHER ARE SHOWN IN THE ISOMETRIC VIEW ONLY.

|   |                      |   |                             |               |              |                        |
|---|----------------------|---|-----------------------------|---------------|--------------|------------------------|
| ENTER DESCRIPTION<br>EC NO: MF2011-0319<br>IT/DRWN:YBEDNYAK 2011/02/10<br>CHKD:<br>APPR:WCHEN 2011/03/01<br>REV DESCRIPTION | QUALITY SYMBOLS      | GENERAL TOLERANCES (UNLESS SPECIFIED)   | DIMENSION STYLE             | SCALE         | DESIGN UNITS | THIRD ANGLE PROJECTION |
|   | ▽=0                  | mm INCH   | MM/IN                       | 1:1           | METRIC       |                        |
|   | ▽7=0                 | 4 PLACES ± --- ± ---  | DRAWN BY DATE               | TITLE         |              |                        |
|   |                      | 3 PLACES ± --- ± ---  | B. ANDREI 11/02/2006        | PLUG ASSEMBLY |              |                        |
|   | 2 PLACES ± --- ± --- | CHECKED BY DATE   | METAL BODY INDUSTRIAL LC    |               |              |                        |
|   | 1 PLACE ± --- ± ---  | S. MIGO 12/4/2006   | WITH LOGO                   |               |              |                        |
|   | ANGULAR ± ---°       | APPROVED BY DATE  | MOLEX INCORPORATED          |               |              |                        |
|   |                      | WCHEN 2010/10/05  | MATERIAL NO. SEE TABLE      |               |              |                        |
|   |                      |   | DOCUMENT NO. SD-106059-7100 |               |              |                        |
|   |                      |   | SHEET NO. 1 OF 1            |               |              |                        |
| DRAFT WHERE APPLICABLE MUST REMAIN WITHIN DIMENSIONS  |                      | THIS DRAWING CONTAINS INFORMATION THAT IS PROPRIETARY TO MOLEX INCORPORATED AND SHOULD NOT BE USED WITHOUT WRITTEN PERMISSION |                             |               |              |                        |