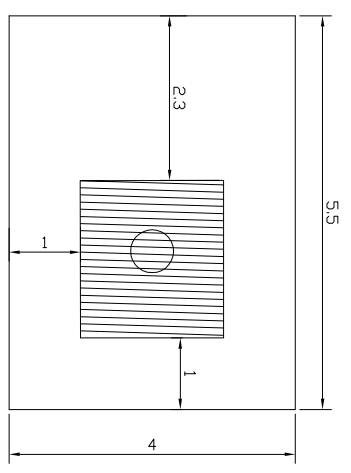
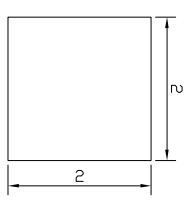
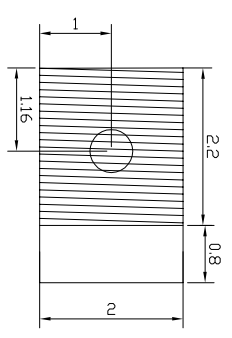


1 2 3 4 5 6 7 8 9 10 11 12 13

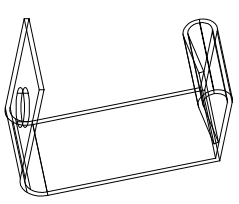
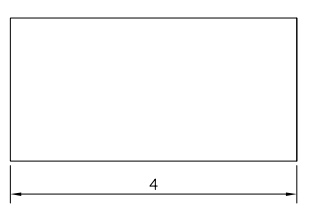
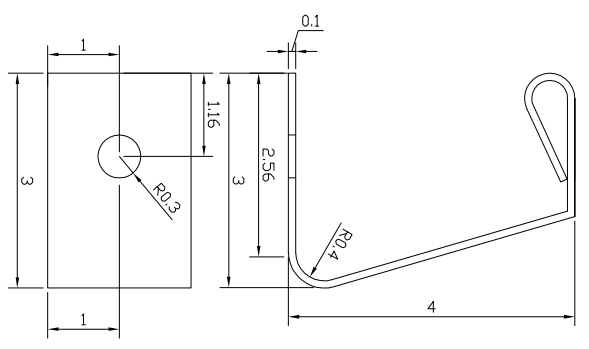
NOTE :
 1.Thickness : 0.10 mm
 2.The tolerance is 0.2 mm
 3.The surface should be clean
 4.Dimension : 2.0(W)>X3.0(L)>X4.0(H)



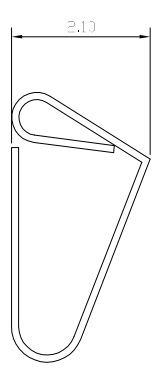
PCB Layout Recommend



SOLDER PAD DIMENSION



3D View



*** This file contains confidential information intended for a specific individual and purpose, and is protected by law. If you are not the intended recipient, you shouldn't own this file and are hereby notified that any disclosure, copy or distribution of this data, or the taking of any action based on it, are strictly prohibited.

A	H	STANDARD TDLARENCE EXCEPT NOTED	1 - 6	±0.15	300 - 600	±0.80	APPD:	CHKD:	SCALE:	Q'TY:	PART NAME: SMD Finger
			6 - 30	±0.25	600 - 1200	±1.20	DR:	10 : 1	REV:	PART NO:	
I	H	RELEASE	30 - 120	±0.45	1200 - 2000	±1.80	DESIGN:	REVISION:	UNIT:	MATERIAL:	FINISH:
			A1	04/25	±0.60	ANG 90°	±1.50°	DESTIN:	A2	mm	BeCu
ZONE		REV	DESCRIPTION	DATE	APPD.	120 - 300	±0.60	ANG 90°	±1.50°		

萊爾德電子材料股份有限公司

DWG NO: