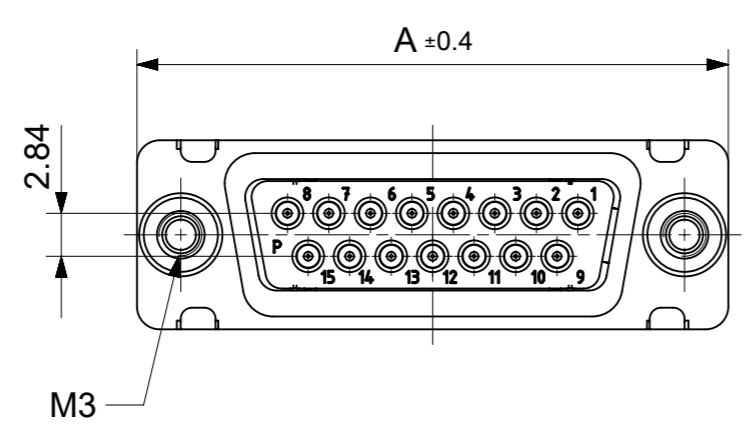
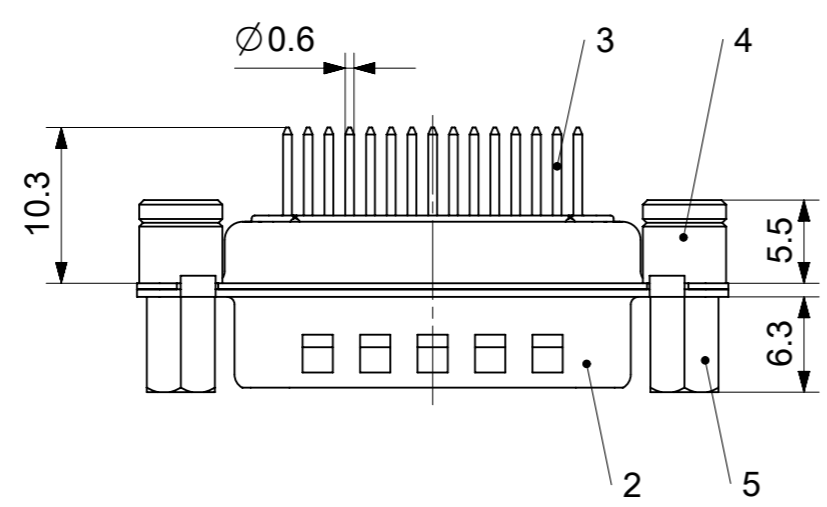
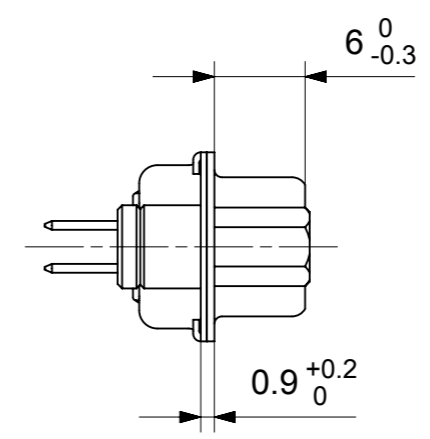
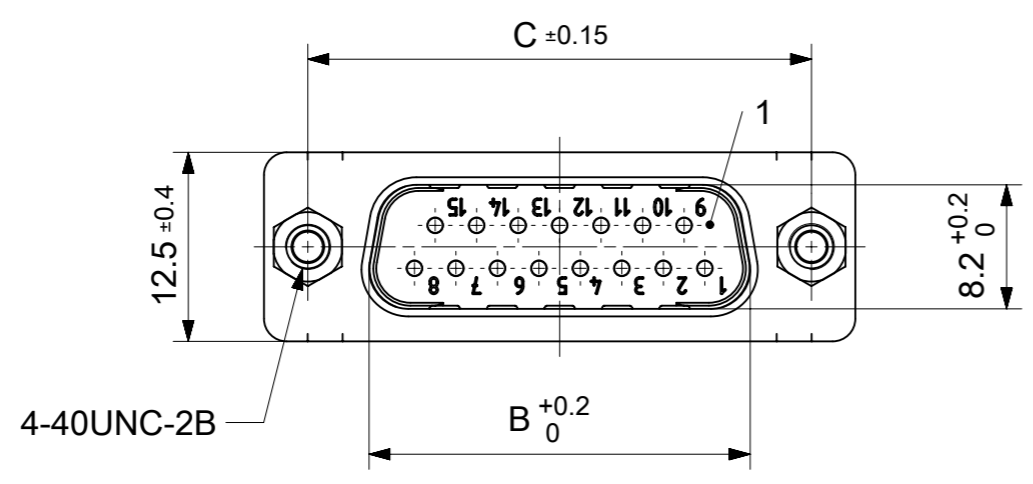


RoHS compliant  
by exemption



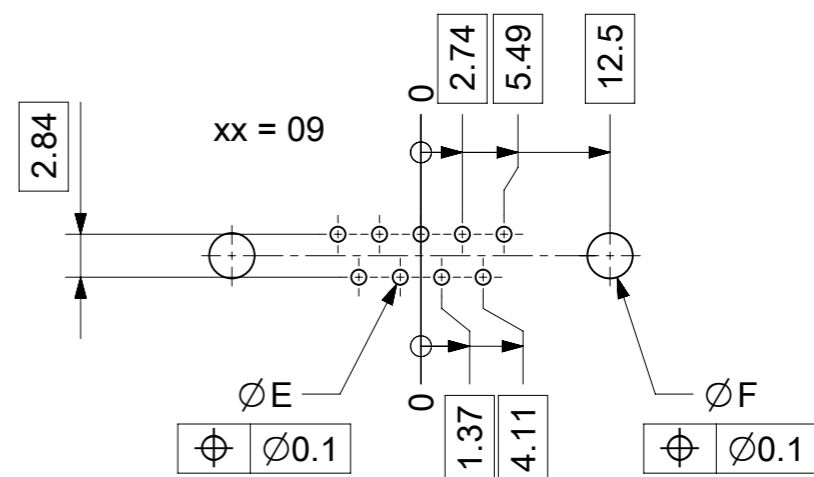
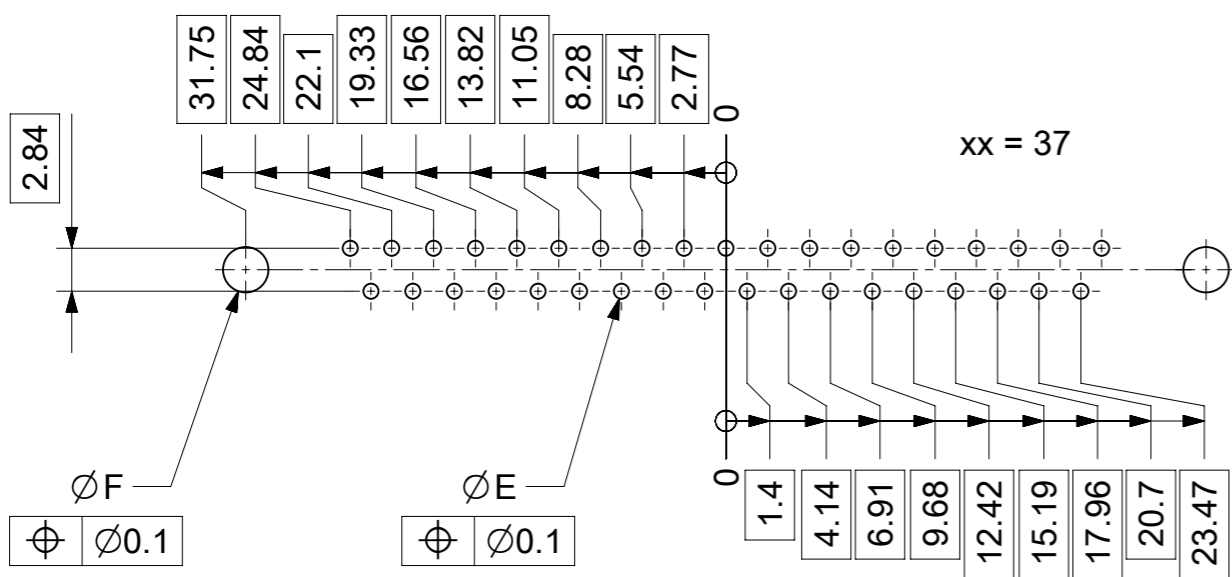
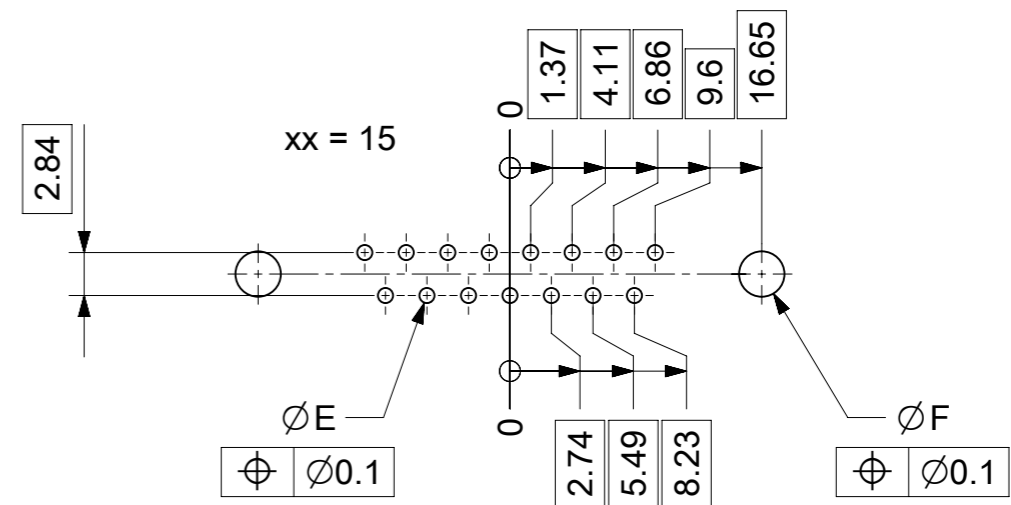
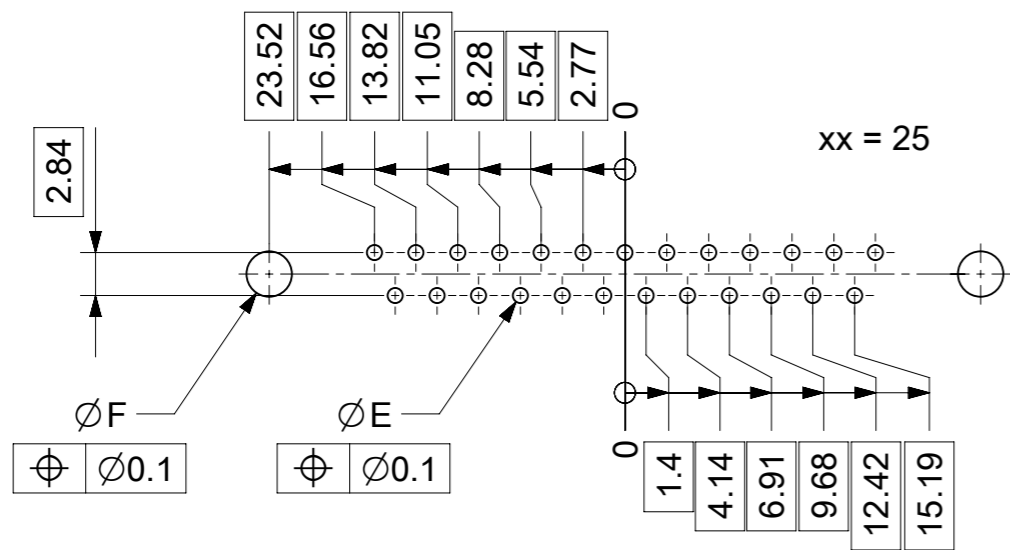
FCT Part number:  
Fxx\*1)P1G0-2043  
e.g. F15P1G0-2043  
\*1) xx No. of contacts 09, 15, 25 or 37

Material Number	xx*1)	A[mm]	B[mm]	C[mm]	*E[mm]
1731140502	09	30.8	16.9	25	Ø1
-	15	39.1	25.2	33.3	
-	25	53	38.9	47.04	
-	37	69.3	55.3	63.5	

\*PCB hole patterns ØE see document 2195600023  
Permeability is tested for the whole connector. Permeability less than 1,0025.

5	2	Threaded spacer, frontside	Brass (non magnetic)	blank
4	2	Threaded spacer, rearside	Brass (non magnetic)	blank
3	xx	Signal contact	P1 / Brass (non magnetic)	1.3µm Au
2	1	Shell	Brass (non magnetic)	blank
1	1	Insulator	PBT (-55°C to +125°C) acc. UL94V-0	white
No.	Pc.	Part	Type Description/Material	Surface plating/Color/Class

MEASUREMENTS WITHOUT TOLERANCE ACC TO ISO 2768-m			REPLACEMENT FOR DOCUMENT NUMBER: FxxP1G0-2043		
THIS DRAWING CONTAINS INFORMATION THAT IS PROPRIETARY TO MOLEX ELECTRONIC TECHNOLOGIES, LLC AND SHOULD NOT BE USED WITHOUT WRITTEN PERMISSION					
FUNCTIONAL SYMBOLS	DIMENSION UNITS	SCALE	CURRENT REV DESC:		
▽A = 0	mm	2:1	<p><b>molex</b></p> <p>FCT D-SUB MINIATURE CONNECTOR</p> <p>PRODUCT CUSTOMER DRAWING</p>		
▽E = 0	GENERAL TOLERANCES (UNLESS SPECIFIED)				
▽F = 0	ANGULAR TOL ± °				
4 PLACES	±				
DIVISIONAL SYMBOLS	3 PLACES	±	EC NO: 706086	2021/11/30	
2 PLACES	±		DRWN: SUGEEB	2022/05/11	
1 PLACE	±		CHK'D: MTEUBEL	2022/05/11	
0 PLACES	±		APPR: MTEUBEL	2022/05/11	
INITIAL REVISION:			DOCUMENT NUMBER		
DRWN: SUGEEB			1731140502		
APPR: MTEUBEL			DOC TYPE	DOC PART	REVISION
DRAFT WHERE APPLICABLE MUST REMAIN WITHIN DIMENSIONS			PSD	000	A
FIRST ANGLE PROJECTION		DRAWING	SERIES	MATERIAL NUMBER	CUSTOMER
		A3-SIZE	173114	SEE TABLE	GENERAL MARKET
SHEET NUMBER			1 OF 1		



ØE, ØF see data sheet incl. connector  
 ØF connectors with accessories only

MEASUREMENTS WITHOUT TOLERANCE ACC TO ISO 2768-m			REPLACEMENT FOR DOCUMENT NUMBER: AM0023			
THIS DRAWING CONTAINS INFORMATION THAT IS PROPRIETARY TO MOLEX ELECTRONIC TECHNOLOGIES, LLC AND SHOULD NOT BE USED WITHOUT WRITTEN PERMISSION						
FUNCTIONAL SYMBOLS	DIMENSION UNITS	SCALE	CURRENT REV DESC:			
$\nabla_A = 0$	mm	2:1	EC NO: 713905			
$\nabla_E = 0$	GENERAL TOLERANCES (UNLESS SPECIFIED)		DRWN: SKANDB 2022/05/16			
$\nabla_P = 0$	ANGULAR TOL ± °		CHK'D: MTEUBEL 2022/07/12			
DIVISIONAL SYMBOLS	4 PLACES ±		APPR: MTEUBEL 2022/07/12			
	3 PLACES ±		INITIAL REVISION:			
	2 PLACES ±		DRWN: SKANDB 2022/05/16			
	1 PLACE ±		APPR: MTEUBEL 2022/07/12			
	0 PLACES ±		DOCUMENT NUMBER			
DRAFT WHERE APPLICABLE MUST REMAIN WITHIN DIMENSIONS		FIRST ANGLE PROJECTION	DRAWING	SERIES	MATERIAL NUMBER	CUSTOMER
			A3-SIZE	219560	219560	GENERAL MARKET
			PRODUCT CUSTOMER DRAWING		REVISION	
			2195600023		A	
			PSD 000		1 OF 1	