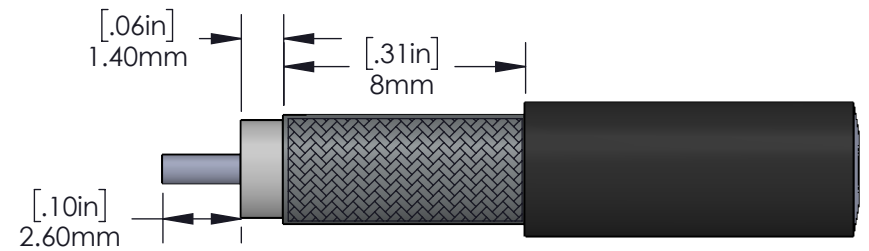
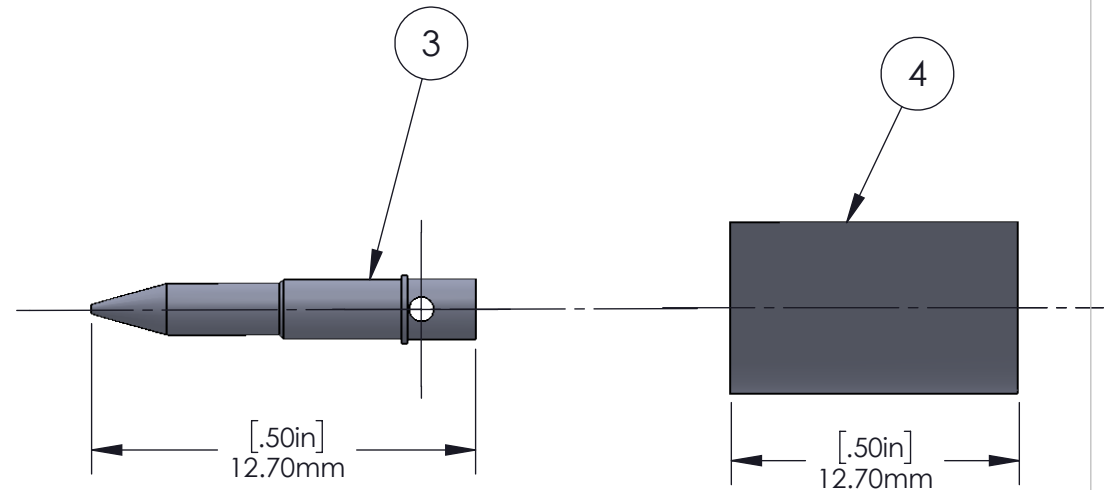
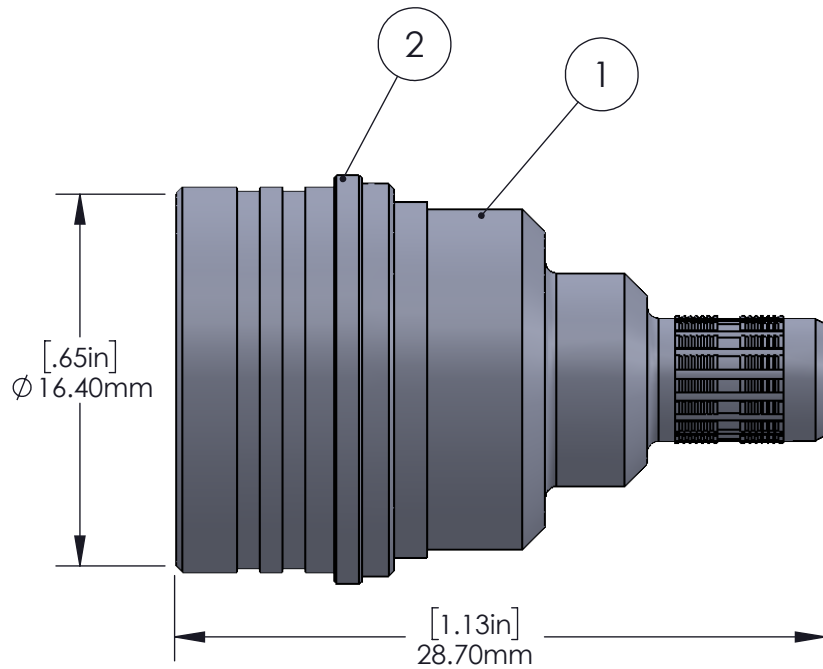


RQN-1300-X

REV.	DESCRIPTION	DATE	APPROVED
-	ENGINEERING RELEASE		



SPECIFICATIONS:

IMPEDANCE: 50 Ohms
 Frequency Range: 0-6 GHz
 Insulation resistance: 5k M Ohms min.
 Temperature Range: -65 °C to 160 °C
 for RG-8/X, belden 9258, Maxrad m8X-100 &
 M8X-1000, Micro 8/U, Remees 1600, saxton 8315 &
 times LMR-240 & LMR-240 ultra flex cable.

Item No	Description	Qty	Material	Finish
1	Body	1	Brass	Tri Metal
2	Shell	1	Brass	Tri Metal
3	Pin	1	Brass	Tri Metal
4	Ferrule	1	Brass	Tri Metal
5	Lock Ring	1	Phosphor B.	Tri Metal
6	O-Ring	1	Silicon	Red
7	Insulator	1	PTFE	Natural

ROHS COMPLIANT UNLESS OTHERWISE SPECIFIED: DIMENSIONS ARE IN INCHES ALL DIMENSIONS ARE FOR REFERENCE ONLY	NAME	DATE	RF INDUSTRIES SAN DIEGO, CA., 7610 MIRAMAR RD. 92126 858-549-6340 FAX 858-549-6345	
	DRAWN	SB		2-22-16
	CHECKED			
CABLE GROUP	PROPRIETARY AND CONFIDENTIAL THE INFORMATION CONTAINED IN THIS DRAWING IS THE SOLE PROPERTY OF RF INDUSTRIES. ANY REPRODUCTION IN PART OR AS A WHOLE WITHOUT THE WRITTEN PERMISSION OF RF INDUSTRIES IS STRICTLY PROHIBITED.		TITLE:	
CODE			QN MALE, CRIMP for LMR-240	
	SIZE	DWG. NO.	REV	
	A	RQN-1300-X	-	
	SCALE: 1:2	WEIGHT:	SHEET 1 OF 1	