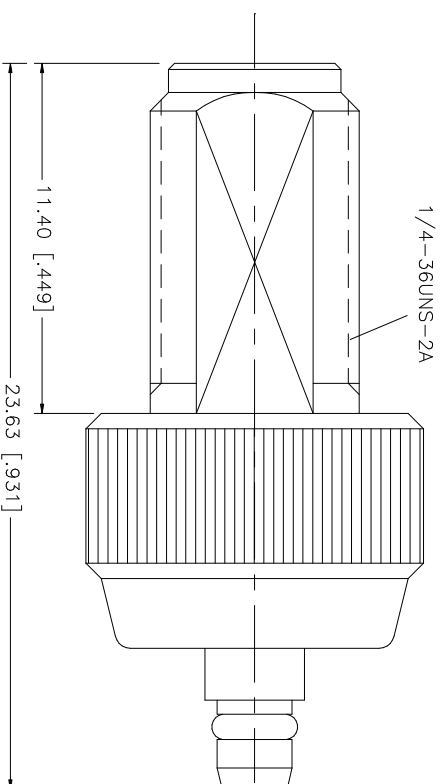
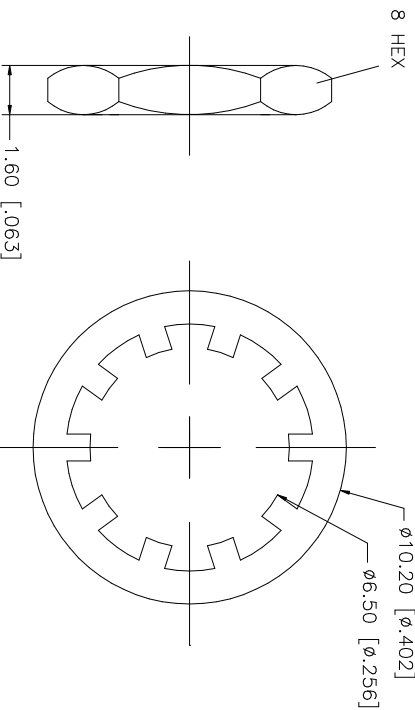
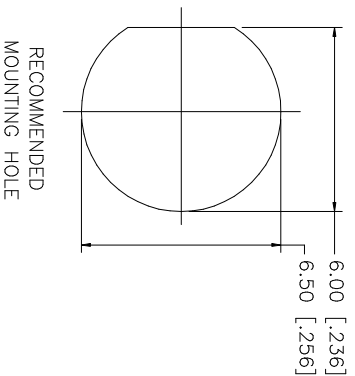


REV.	DATE	DESCRIPTION
NC	06/20/02	INITIAL RELEASE



QTY	DESCRIPTION	MATERIAL	FINISH	QTY	DO NOT SCALE DRAWING
1	INSULATOR BODY	BRASS	GOLD	1	1.180 - 4.724 = ± 0.020"
1	CONTACT PIN	BER. COPPER	GOLD	1	.315 - 1.180 = ± 0.015"
1	LOCK WASHER	BRASS	GOLD	1	.020 - .315 = ± 0.007"
1	HEX NUT	BRASS	GOLD	1	8 - 30mm ± 0.40mm
					30 - 120mm ± 0.50mm
					0.5 - 8mm ± 0.20mm
					TOLERANCES FOR MILLIMETERS ARE:
					UNLESS OTHERWISE SPECIFIED
					TOLERANCES FOR INCHES ARE:
					UNLESS OTHERWISE SPECIFIED
					IN MILLIMETERS DIMENSIONS IN [] ARE IN INCHES AND FOR CUSTOMER REFERENCE ONLY.

APPROVALS	DATE
DRAWN G.R.S.	06/20/03
CHECKED	
ISSUED	
SHEET 1 OF 1	

CAD FILE	DWG. NO.	REV.	SIZE	SCALE
C:/242/242193	242193.DWG	NC	A	NA

PART DESCRIPTION	PART NO.
SMA FEMALE TO MMCX MALE ADAPTER	242193