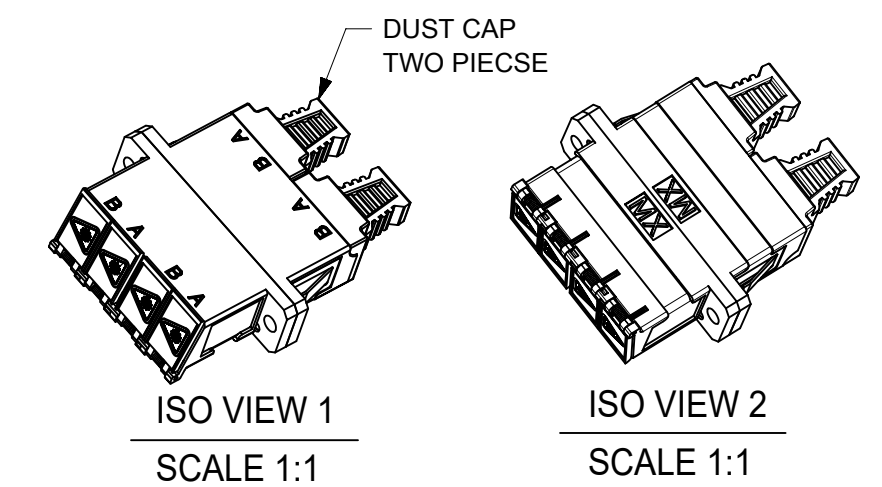
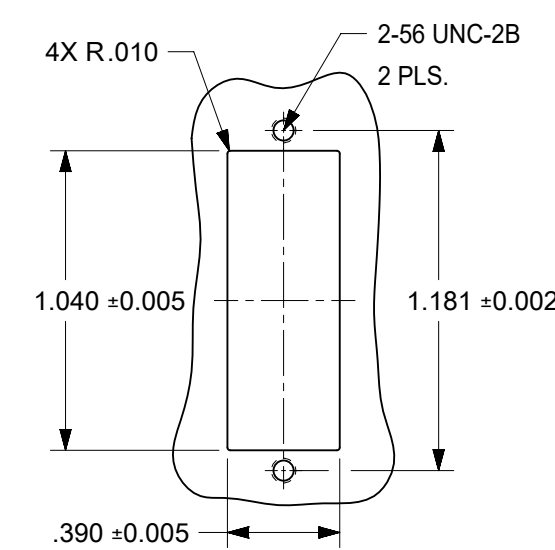
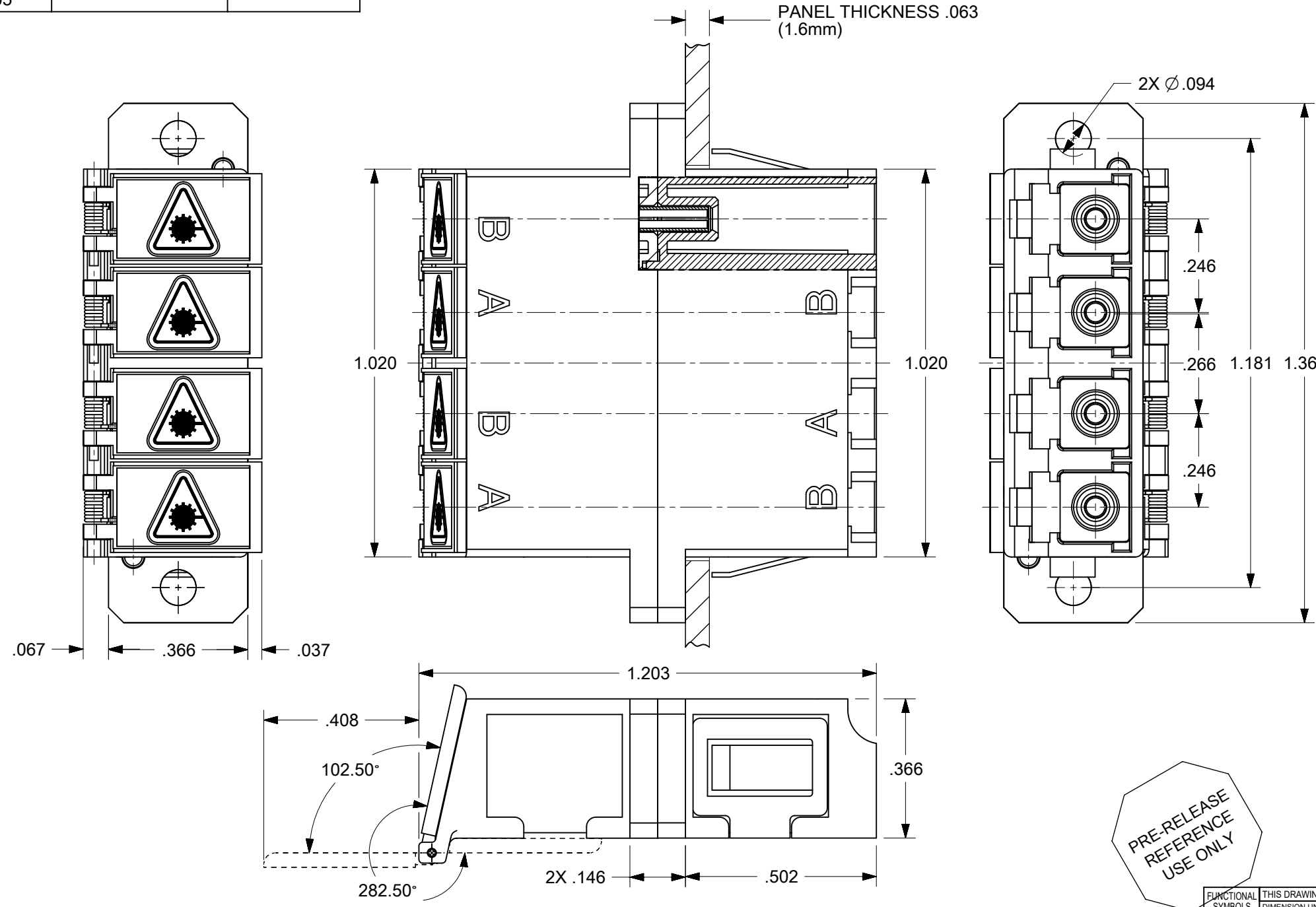


LC QUAD ADAPTER P/N	LC QUAD ADAPTER COLOR	SPLIT SLEEVE MATERIAL
106123-0200	BLUE	ZR
106123-0205*		
106123-1200	BEIGE	
106123-1205*		
106123-2200	GREEN	
106123-3200	AQUA	
106123-3205*		



PRE-RELEASE REFERENCE USE ONLY

**NOTES:**

1. ALL DIMENSIONS ARE FOR REFERENCE
2. DUST CAPS NOT SHOWN ON FRONT, BOTTOM AND RIGHT VIEW.
3. LC QUAD ADAPTER HAS SC DUPLEX ADAPTER FOOTPRINT.
- \*4. P/NS MARKED WITH(\*) ARE BULK PACKED IN QUANTITIES OF 100PCS

FUNCTIONAL SYMBOLS	THIS DRAWING CONTAINS INFORMATION THAT IS PROPRIETARY TO MOLEX ELECTRONIC TECHNOLOGIES, LLC AND SHOULD NOT BE USED WITHOUT WRITTEN PERMISSION		CURRENT REV DESC:		
∇ = 0	DIMENSION UNITS	SCALE			
∇ = 0	INCH	4:1			
∇ = 0	GENERAL TOLERANCES (UNLESS SPECIFIED)				
	ANGULAR TOL ± °				
	4 PLACES	±			
DIVISIONAL SYMBOLS	3 PLACES	±			
	2 PLACES	±			
	1 PLACE	±			
	0 PLACES	±			
	DRAFT WHERE APPLICABLE MUST REMAIN WITHIN DIMENSIONS	THIRD ANGLE PROJECTION	DRAWING	SERIES	MATERIAL NUMBER
			B-SIZE	106123	SEE TABLE
					CUSTOMER
					GENERAL MARKET
					SHEET NUMBER
					1 OF 1

**molex**

LC QUAD ADAPTER WITH SHUTTERS (SCREW AND SNAP MOUNT)

PRODUCT CUSTOMER DRAWING

DOCUMENT NUMBER: SD-106123-X200  
DOC TYPE: PSD  
DOC PART: 001  
REVISION: B

DOCUMENT STATUS	RELEASE DATE