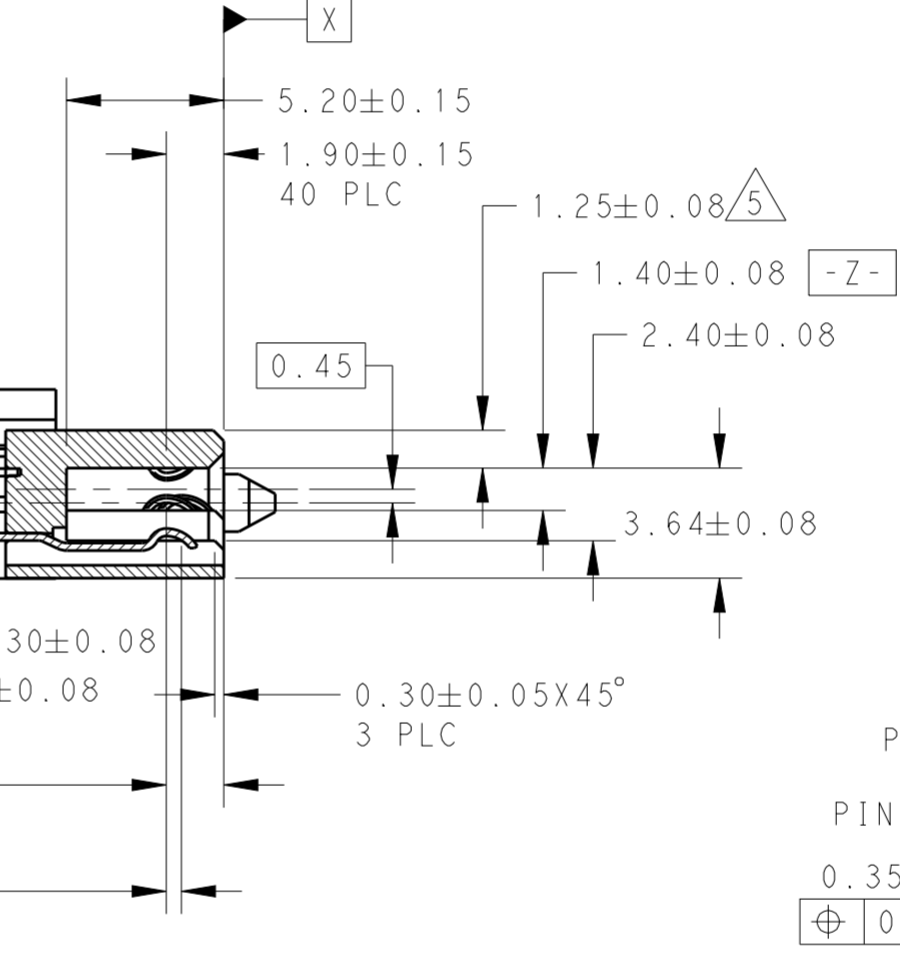
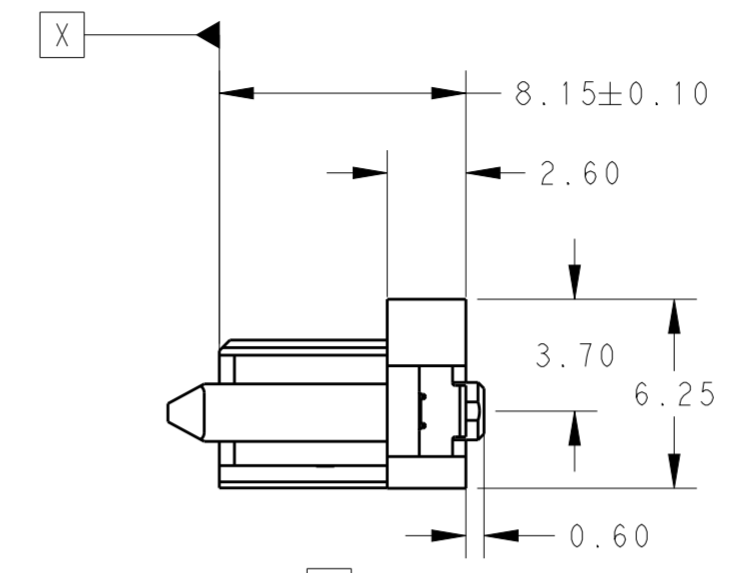
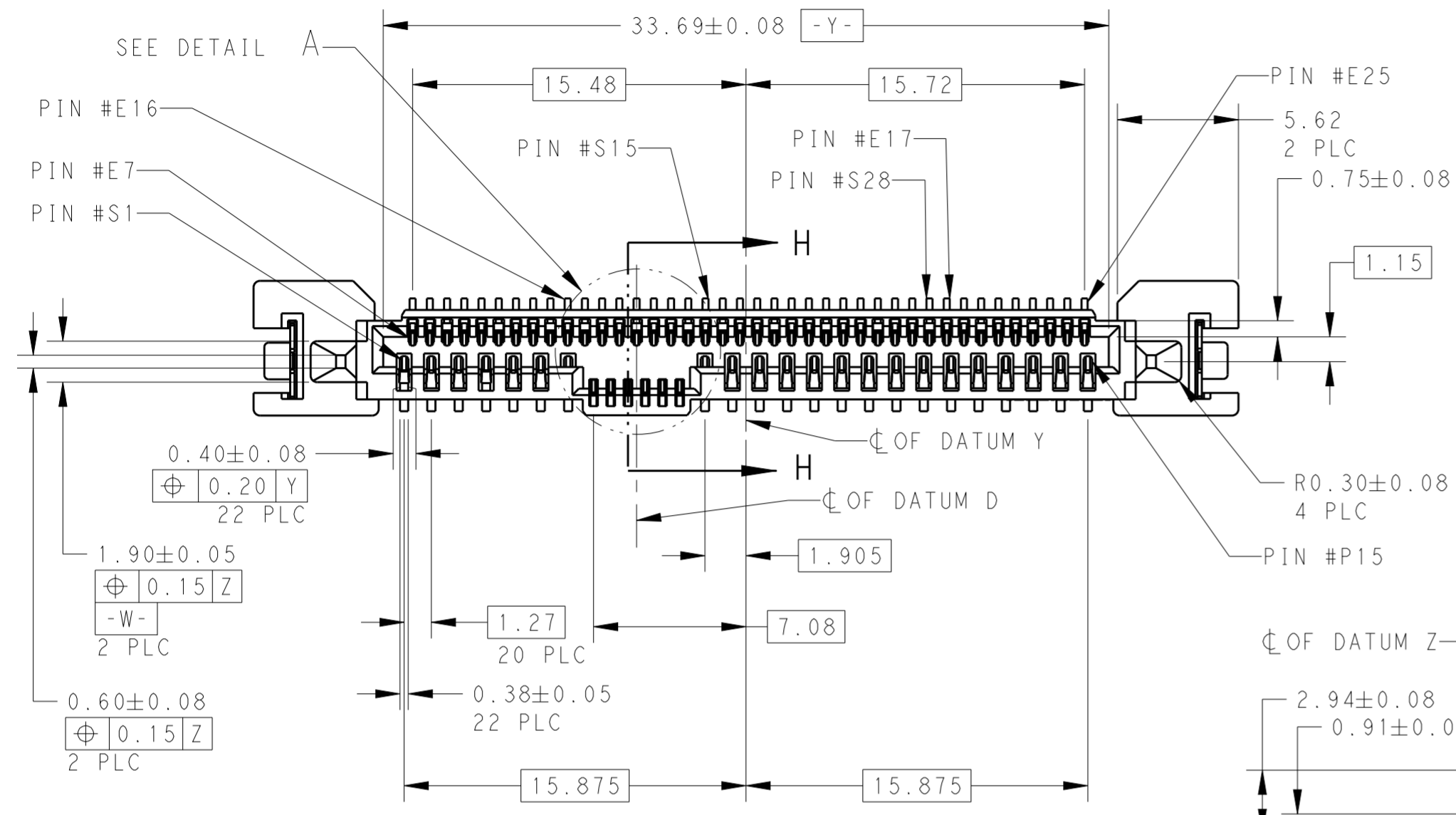


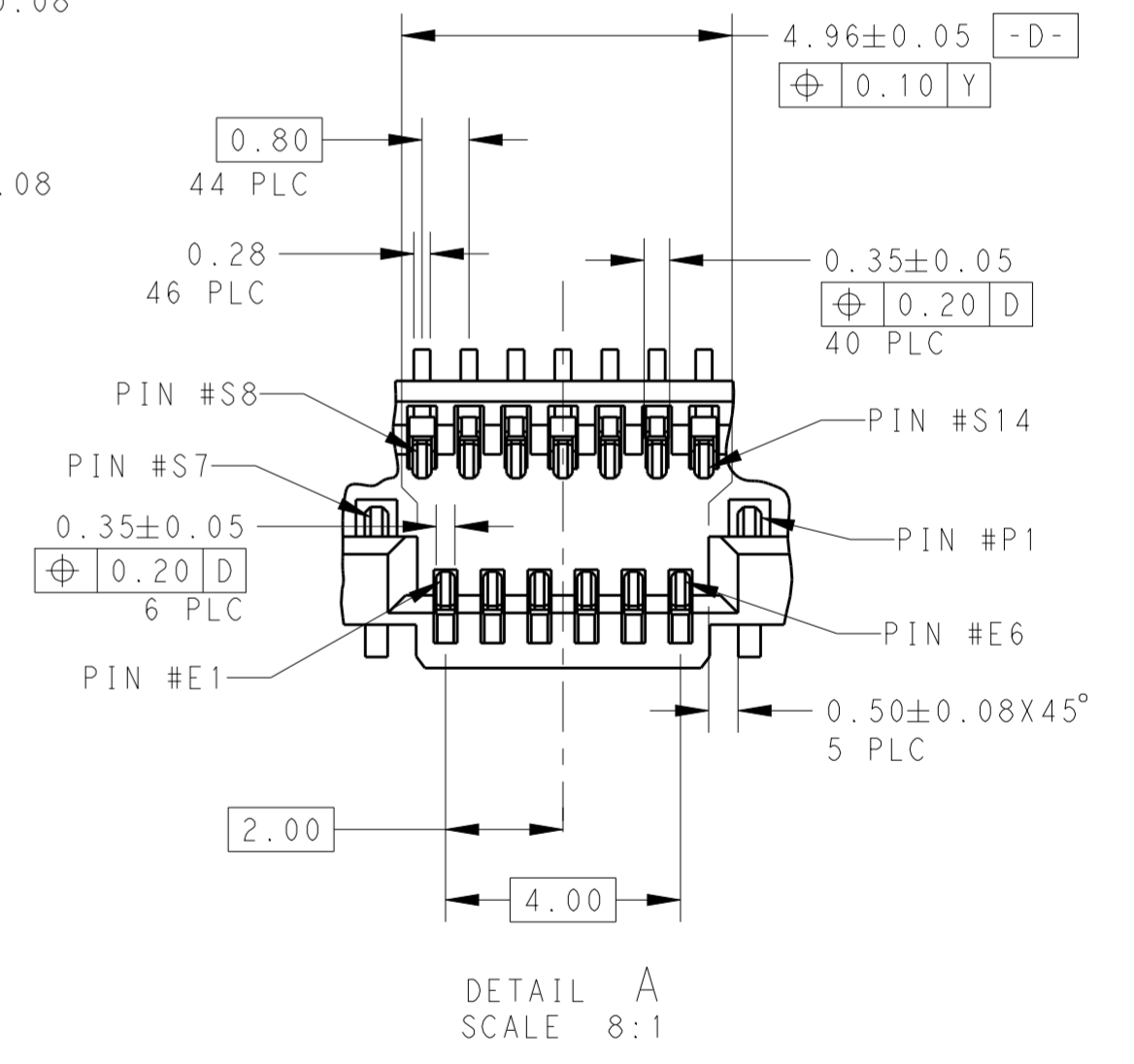
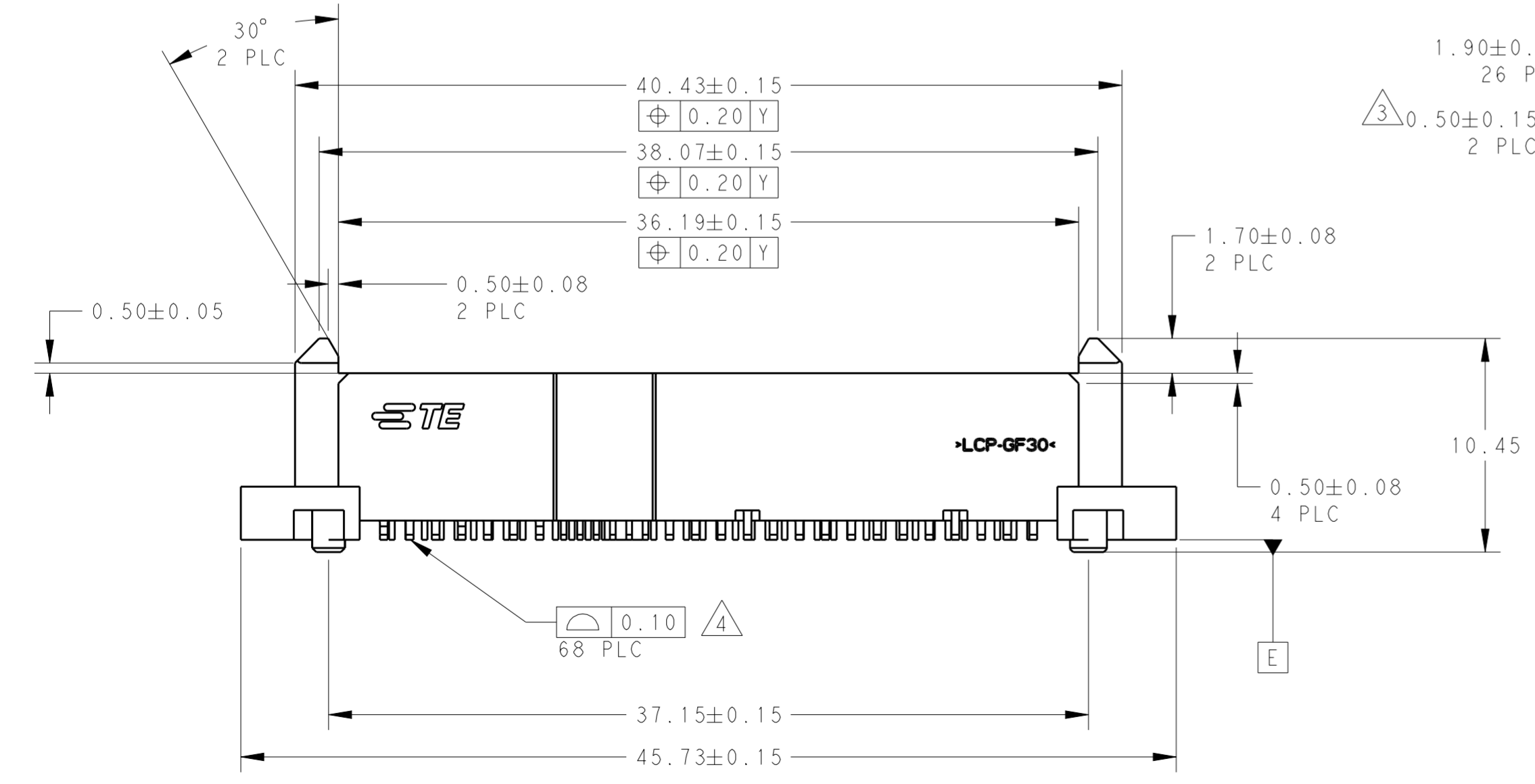
THIS DRAWING IS UNPUBLISHED. RELEASED FOR PUBLICATION 20
 © COPYRIGHT 20 BY - ALL RIGHTS RESERVED.

REVISIONS					
P	LTR	DESCRIPTION	DATE	DWN	APVD
	A	RELEASED FOR PRODUCTION	04MAR2016	TX	SH



SECTION H-H
SCALE 4:1

- NOTES:
- MATERIAL:
HOUSING: HIGH TEMP THERMOPLASTIC, UL94V-0,
COLOR: BLACK
CONTACT: COPPER ALLOY
BOARDLOCK: COPPER ALLOY
 - FINISH:
CONTACT AREA: MIN 0.76µm GOLD PLATING
SOLDERTAIL: MIN 2.54µm MATTE TIN PLATING
UNDERPLATE: MIN 1.27µm NICKEL PLATING
 - PIN #P4 AND #P12 ONLY
 - SOLDERTAIL TO BE 0.05 MAX ABOVE
AND 0.10 MAX BELOW DATUM E
 - 1.33 MAX MEASURED AT DATUM C



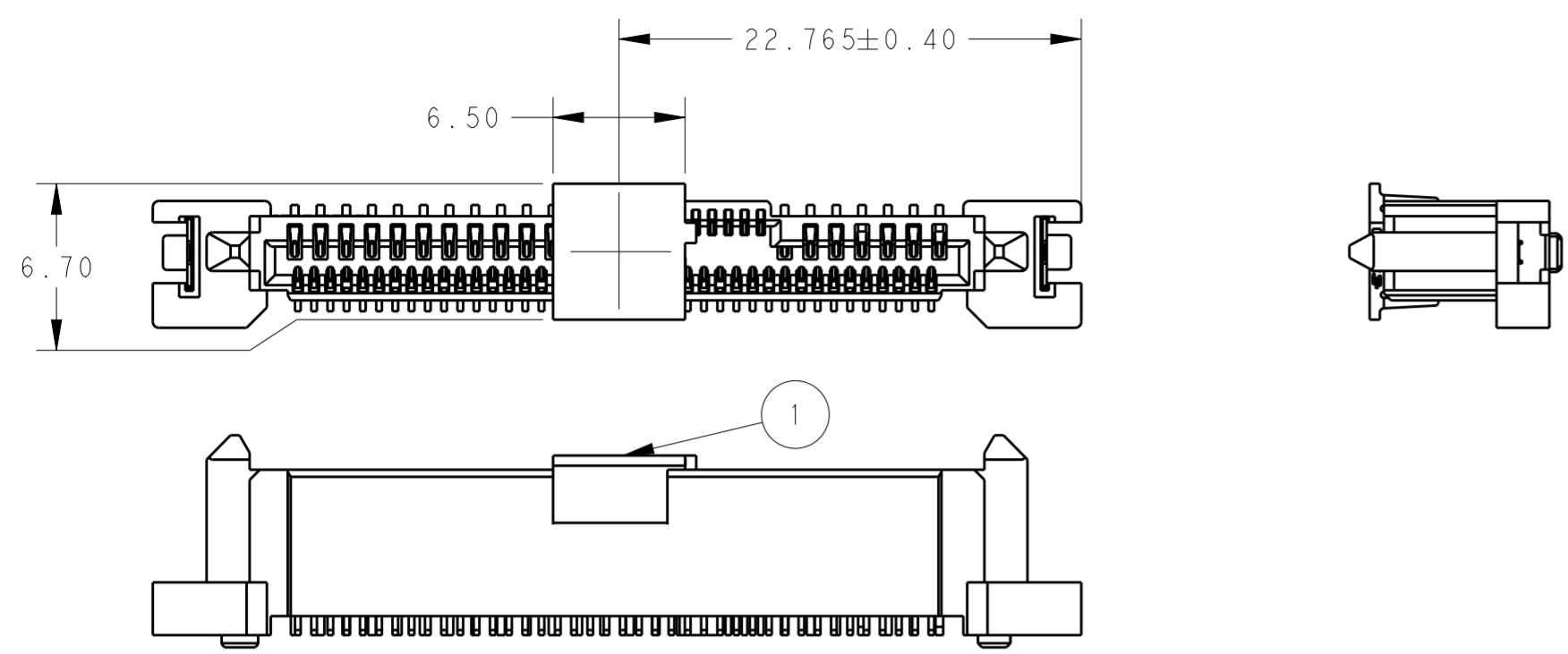
DETAIL A
SCALE 8:1

YES	2170560-2
NO	2170560-1
PICK-UP CAP (1)	PART NUMBER

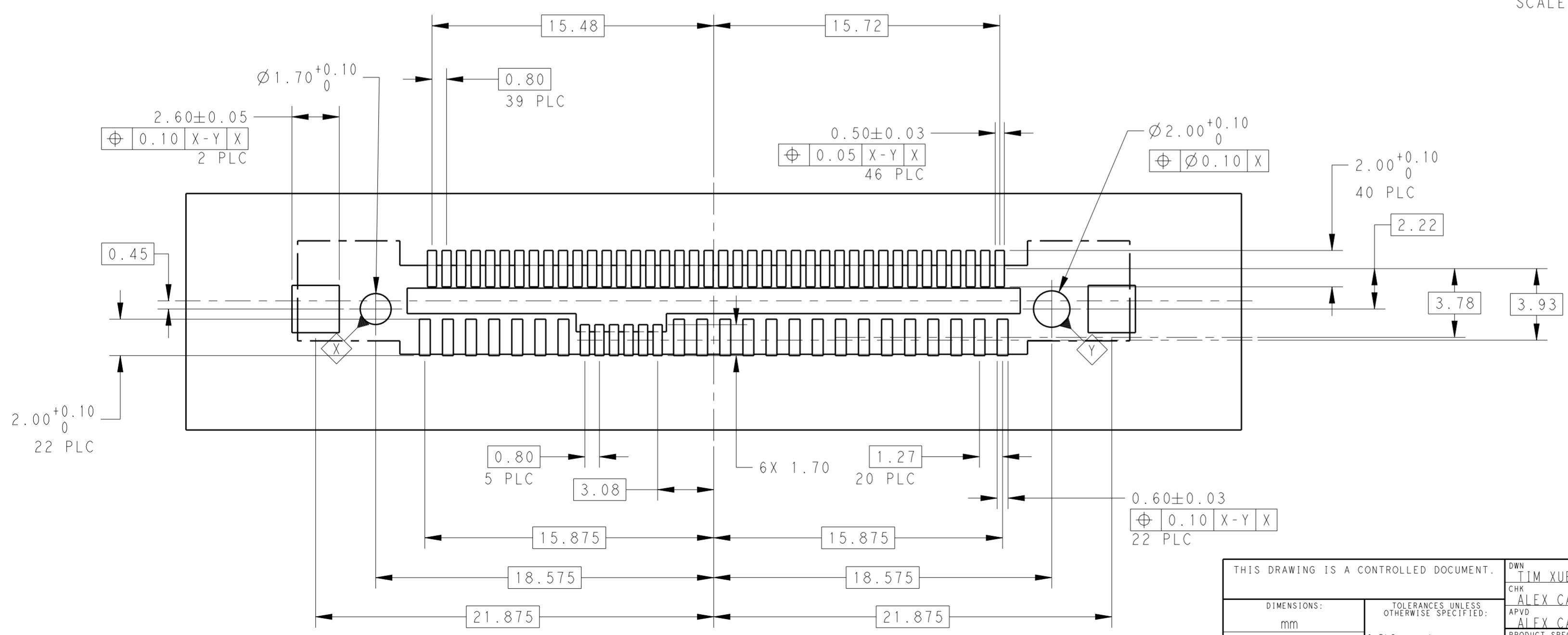
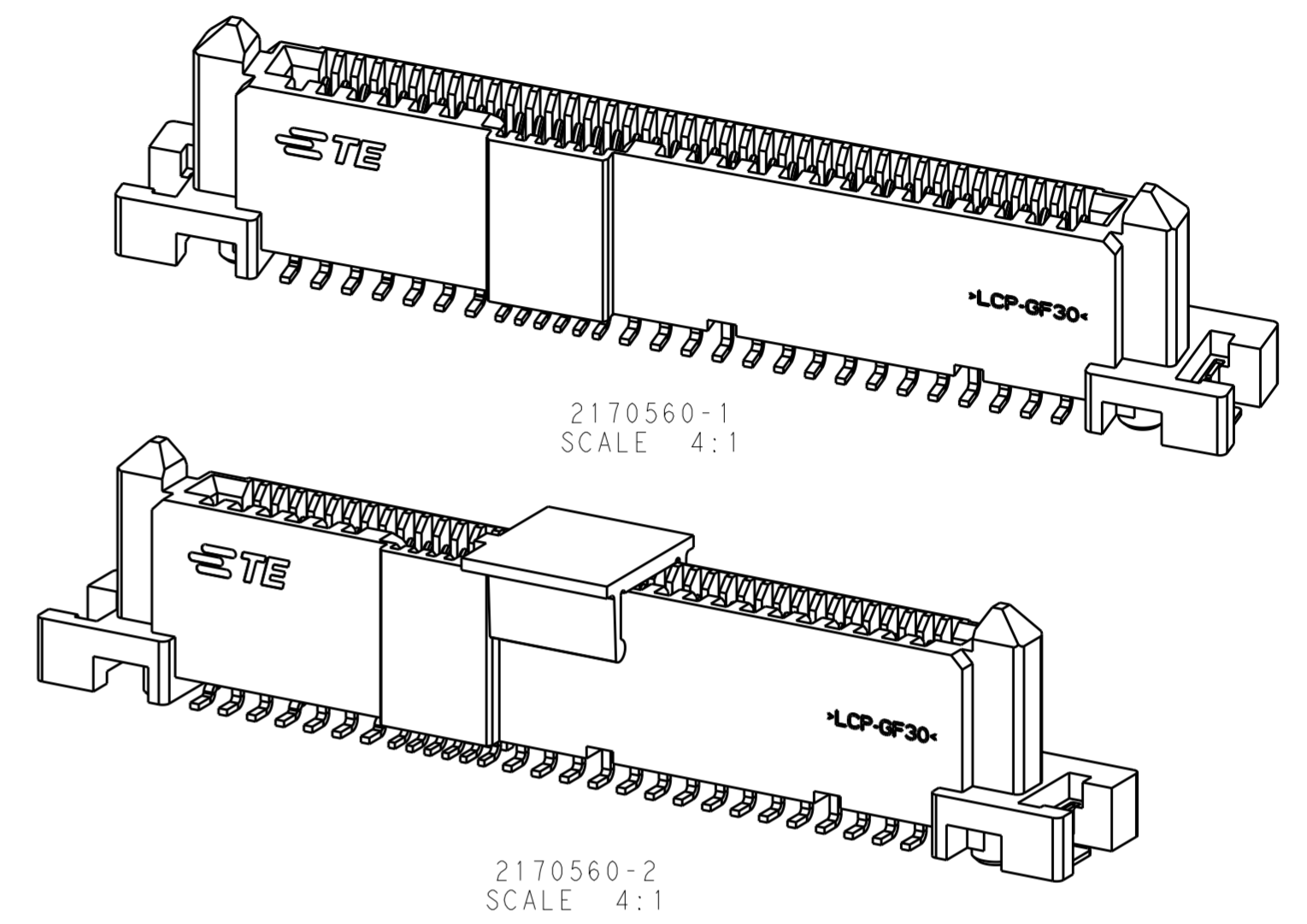
THIS DRAWING IS A CONTROLLED DOCUMENT.		DWN TIM XUE 20 JUN 2013	TE Connectivity											
DIMENSIONS: mm		CHK ALEX CAI 20 JUN 2013												
TOLERANCES UNLESS OTHERWISE SPECIFIED:		APVD ALEX CAI 20 JUN 2013	NAME 12G SAS/PCIe COMBO RECEPTACLE, STANDARD 15P+6P+7P+40P											
<table border="1"> <tr><td>0 PLC</td><td>±</td></tr> <tr><td>1 PLC</td><td>±0.20</td></tr> <tr><td>2 PLC</td><td>±0.20</td></tr> <tr><td>3 PLC</td><td>±0.20</td></tr> <tr><td>4 PLC</td><td>±0.0001</td></tr> </table>		0 PLC	±	1 PLC	±0.20	2 PLC	±0.20	3 PLC	±0.20	4 PLC	±0.0001	PRODUCT SPEC 108-51109	SIZE A2	
0 PLC	±													
1 PLC	±0.20													
2 PLC	±0.20													
3 PLC	±0.20													
4 PLC	±0.0001													
MATERIAL		APPLICATION SPEC 114-60017	CAGE CODE	DRAWING NO C-2170560										
		WEIGHT	RESTRICTED TO											
		CUSTOMER DRAWING	SCALE 2:1	SHEET 1 OF 2										
			REV A											

THIS DRAWING IS UNPUBLISHED. RELEASED FOR PUBLICATION 20
 © COPYRIGHT 20 BY - ALL RIGHTS RESERVED.


REVISIONS				
P	LTR	DESCRIPTION	DATE	APVD
-	-	SEE SHEET 1	-	-



P/N:2170560-2 AS SHOWN
 RECEPTACLE WITH PICK-UP CAP



RECOMMENDED RECEPTACLE BOARD LAYOUT
 SCALE 5:1

THIS DRAWING IS A CONTROLLED DOCUMENT.		DWN TIM XUE 20 JUN 2013	 TE Connectivity
DIMENSIONS: mm		CHK ALEX CAI 20 JUN 2013	
TOLERANCES UNLESS OTHERWISE SPECIFIED:		APVD ALEX CAI 20 JUN 2013	
0 PLC ± 1 PLC ±0.20 2 PLC ±0.20 3 PLC ±0.20 4 PLC ±0.0001 ANGLES ±1° FINISH -		PRODUCT SPEC 108-51109 APPLICATION SPEC 114-60017 WEIGHT -	
MATERIAL -		CUSTOMER DRAWING	NAME 12G SAS/PCIe COMBO RECEPTACLE, STANDARD 15P+6P+7P+40P SIZE A2 CAGE CODE - DRAWING NO. C-2170560 RESTRICTED TO - SCALE 2:1 SHEET 2 OF 2 REV A