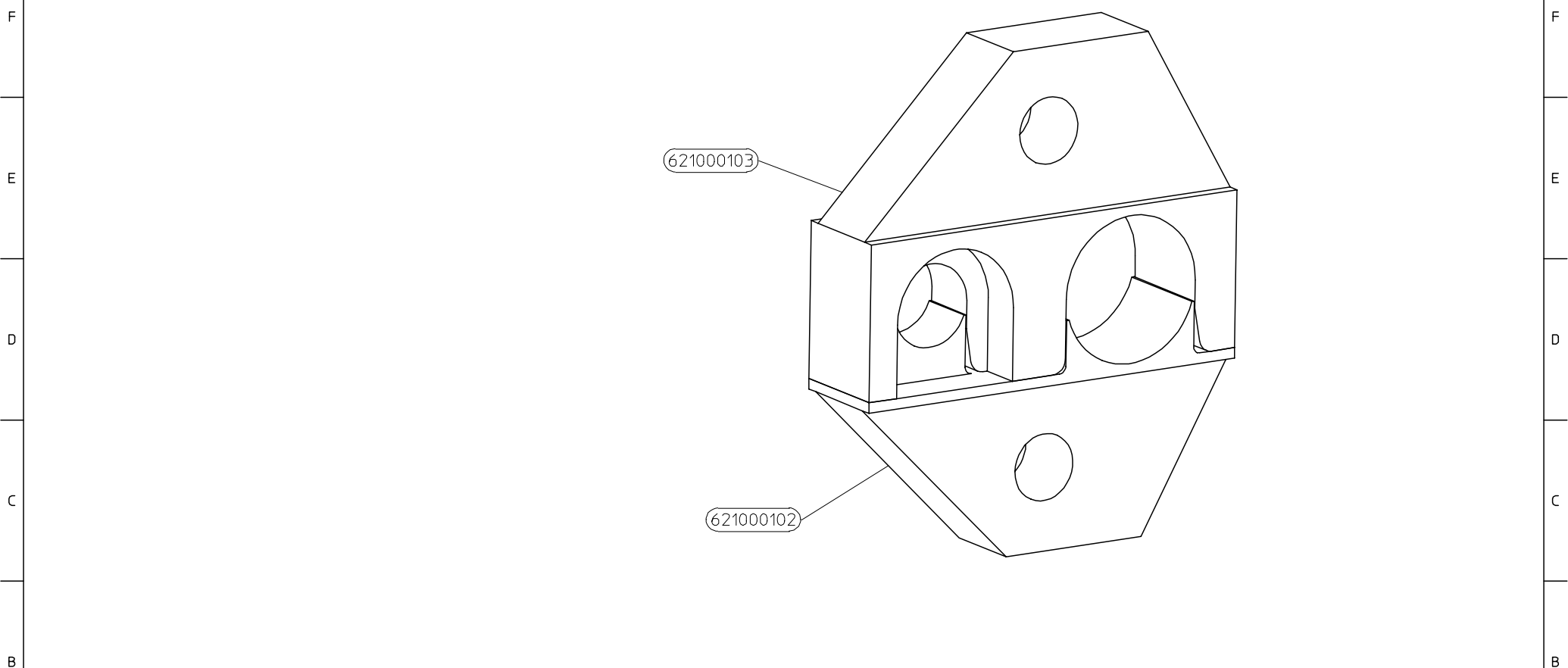


10 9 8 7 6 5 4 3 2 62100



REL FOR PRODUCTION EC NO: UAT1999-0712 DRW: ESTENSTR99/03/30 CHK: ESTENSTR99/03/30 APPR: ESTENSTR99/03/30	REV DESCRIPTION	QUALITY SYMBOLS	GENERAL TOLERANCES (UNLESS SPECIFIED)		SCALE 4:1	DESIGN UNITS mm	THIRD ANGLE PROJECTION	REVISE ON CAD ONLY	
		 	mm	INCH	DIMENSION STYLE		FERRULE CRIMP DIES		
			4 PLACES ± --- ± ---	3 PLACES ± --- ± ---	mm only		71256-0001 FERRULE		
			2 PLACES ± --- ± ---	1 PLACE ± --- ± ---	ESTenstr1999/03/30		MOLEX INCORPORATED		
		ANGULAR ± 1/2 °	DRAFT WHERE APPLICABLE MUST REMAIN WITHIN DIMENSIONS		APPROVED BY DATE	MATERIAL NO.	DOCUMENT NO.	SHEET NO.	
A					ESTenstr1999/03/30	621000101	621000101	1 OF 1	
						THIS DRAWING CONTAINS INFORMATION THAT IS PROPRIETARY TO MOLEX INCORPORATED AND SHOULD NOT BE USED WITHOUT WRITTEN PERMISSION			B

9 8 7 6 5 4 3 2 1