

MATERIAL

Round cross section aluminium bar, epoxy resin coating, glossy finish.

COLOUR

RAL 9002 white.

STANDARD EXECUTION

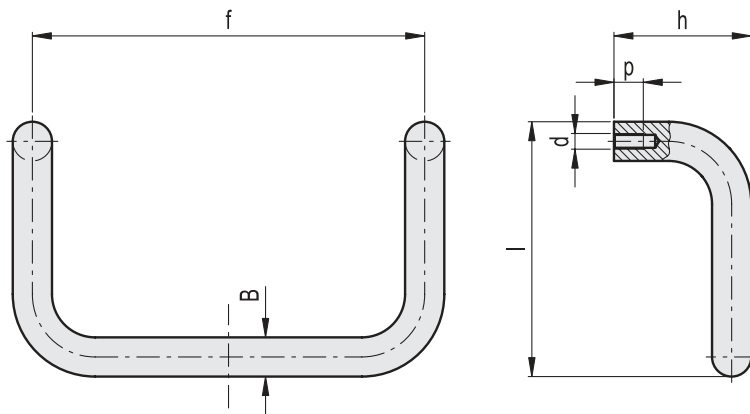
Threaded blind holes.

FEATURES AND APPLICATIONS

This handle, of white colour, has been conceived for applications on medical and hospital equipment and on food processing machines whose parts, for hygienic reasons, must be frequently cleaned. Its solid shape without cavities prevents unhealthy residues from depositing. Its glossy surface allows a perfect cleaning.

SPECIAL EXECUTIONS ON REQUEST

- With end supports, colour RAL 9002.
- Different lengths.



Conversion Table
1 mm = 0.039 inch

f	
mm	inch
200	7.84
350	13.78
500	19.68

METRIC

Code	f	d	p	B	h	l	⚖️
RHM4-20.200.9002	200	M8	15	20	70	130	389
RHM4-20.350.9002	350	M8	15	20	70	130	530
RHM4-30.350.9002	350	M10	15	30	100	175	1360
RHM4-30.500.9002	500	M10	15	30	100	175	1650