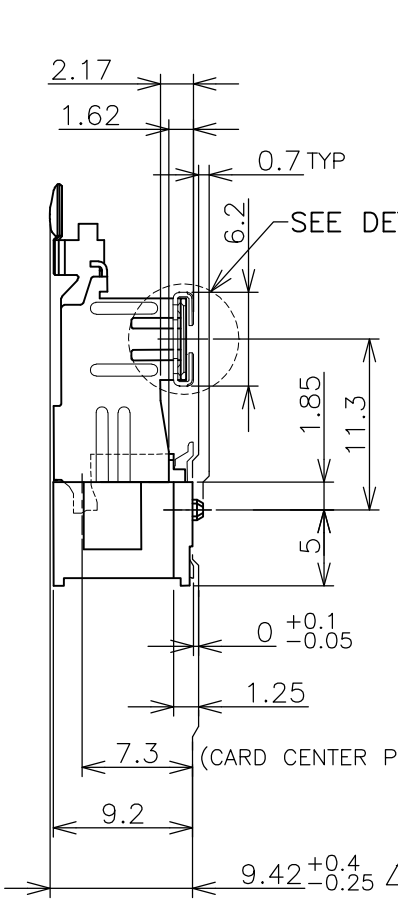
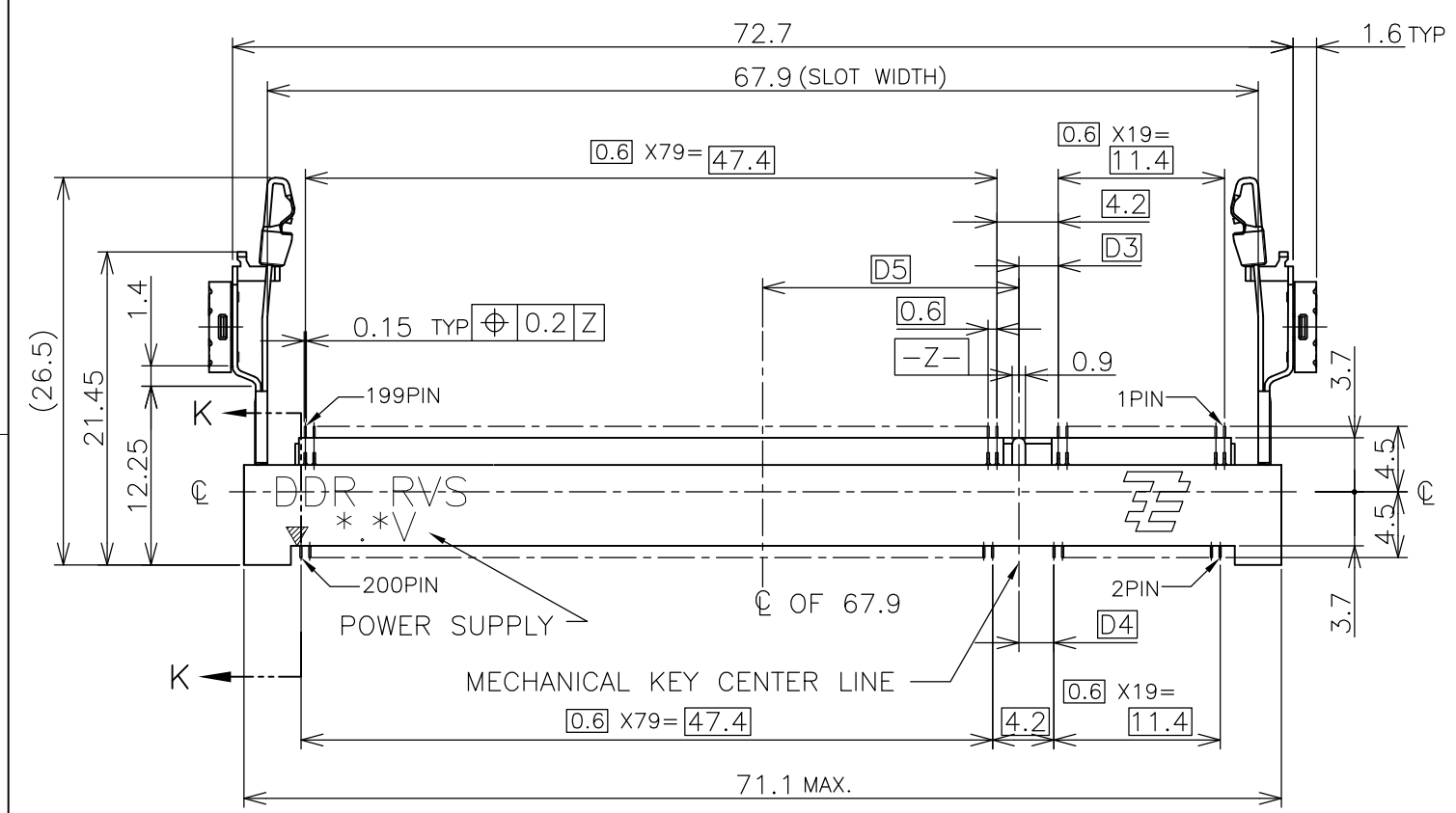
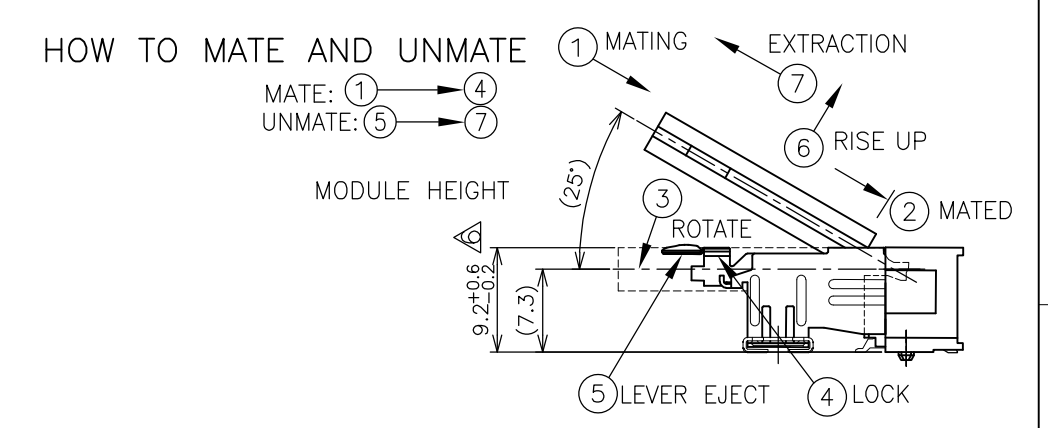
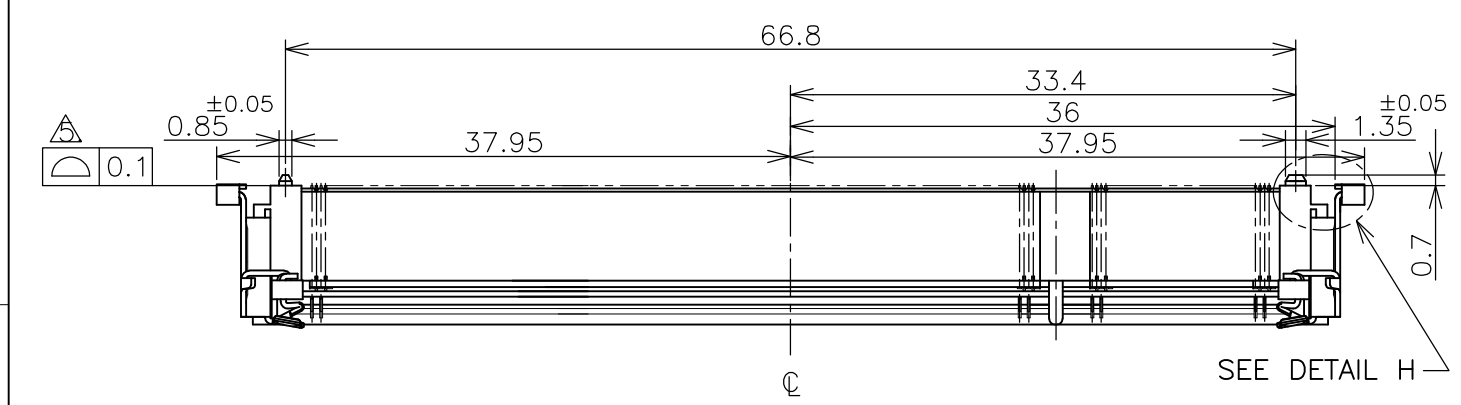
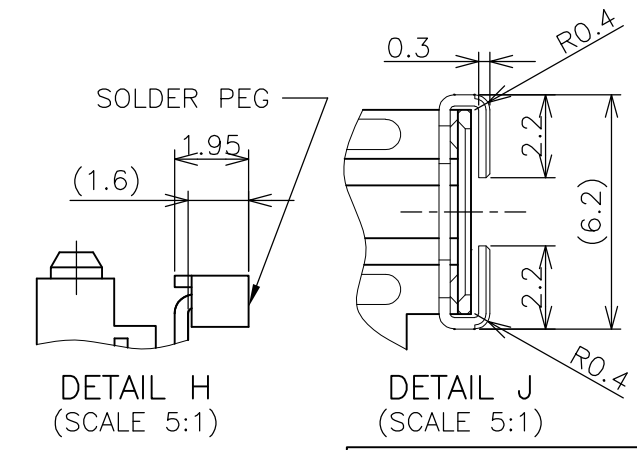
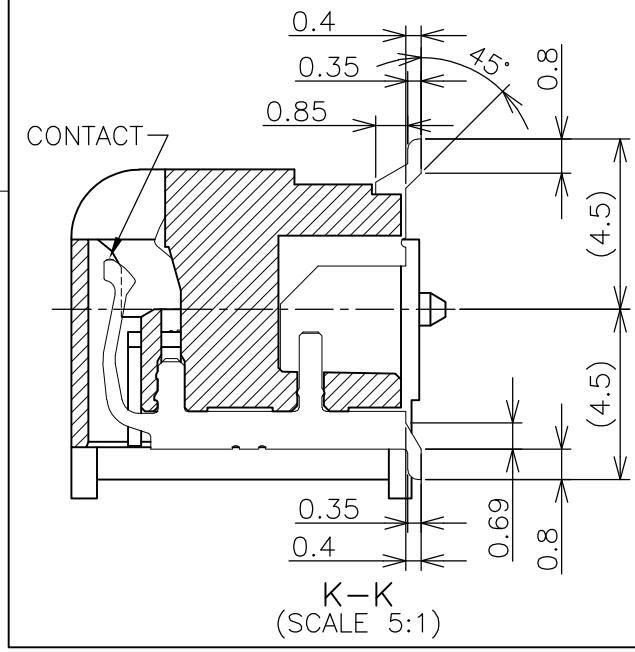


THIS DRAWING IS UNPUBLISHED. RELEASED FOR PUBLICATION OCT. 2002.
 © COPYRIGHT 2002 BY TYCO ELECTRONICS CORPORATION. ALL RIGHTS RESERVED.

LOC		DIST		REVISIONS				
ES	/	P	LTR	DESCRIPTION	DATE	DWN	APVD	
			B	REVISED ECR-10-025871	17DEC2010	D.S	C.W	



(APPLIED TO SHEET 1-2)
 1. MATERIAL ; HOUSING: HIGH TEMPERATURE THERMO PLASTIC UL94V-0
 CONTACT: COPPER ARROY
 LOCK LEVER: STAINLESS STEEL
 SOLDER PEG: COPPER ARROY
 Δ FINISH ; CONTACT AREA: GOLD 0.00076MIN PLT.
 ON 0.0013MIN ALL OVER NICKEL.
 SOLDERING AREA: GOLD FLASH PLT.
 SOLDER PEG: TIN PLATING.
 Δ MECHANICAL KEY POSITION OF CONNECTOR SEE TABLE.
 Δ TOLERANCES NON-CUMULATIVE.
 Δ COPLANARITY : 0.1 MAX.
 Δ THE FLOATING VALUE BY SOLDERING IS NOT INCLUDED.
 Δ NOT MATING CONDITION.
 8. IF THE MODULE DOESN'T INSERT AND LOCK IN THE LATCH SMOOTHLY,
 OPEN WIDE BOTH LATCHES BY MANUAL. AND THE MODULE MUST BE
 INSERTED AND LOCKED IN THE LATCH.
 Δ FINISH: CONTACT AREA: GOLD FLASH PLT.
 ON 0.0013MIN ALL OVER NICKEL.
 SOLDERING AREA: GOLD FLASH PLT.
 SOLDER PEG: TIN PLATING.



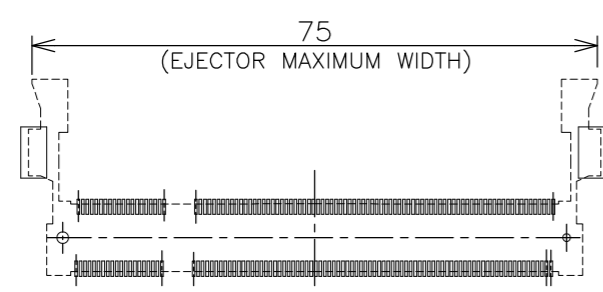
GENERAL TOLERANCE
 10 ≥ : ±0.2
 30 ≥ > 10: ±0.25
 100 ≥ > 30: ±0.3
 ANGLES: ±3°

AVAILABLE	Δ	1.8V (DDR2)	17.55	2.4	2.7	200	1932317-4
AVAILABLE	Δ	1.8V (DDR2)	17.55	2.4	2.7	200	1932317-6
TOOLING STATUS	FINISH	POWER SUPPLY (TYPE)	D5	D4	D3	POS	PART NO.

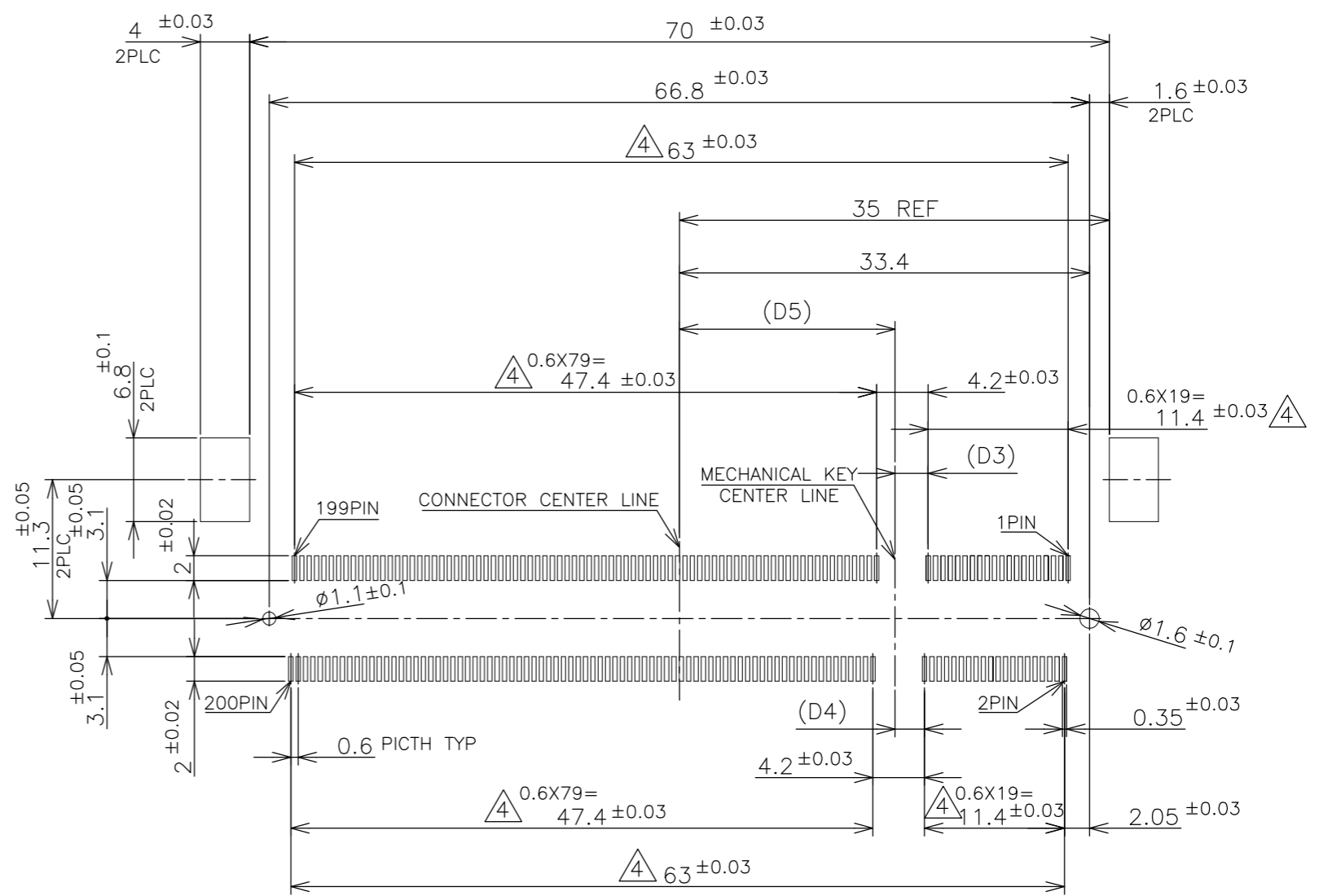
THIS DRAWING IS A CONTROLLED DOCUMENT.		DWN	L.LIN	11MAY09	Tyco Electronics Corporation Shanghai, P.R.China, 200233		
DIMENSIONS: MM		CHK	C.WANG	11MAY09			
TOLERANCES UNLESS OTHERWISE SPECIFIED:		APVD	S.YAO	11MAY09	NAME		
0 PLC ± -		PRODUCT SPEC		DDR1 & DDR2 SODIMM SOCKET			
1 PLC ± -		108-5701		0.6mm PITCH 200POS			
2 PLC ± -		APPLICATION SPEC		9.2mm HEIGHT REVERSE TYPE			
3 PLC ± -		SIZE	A3	CAGE CODE	00779	DRAWING NO	C-1932317
4 PLC ± -		WEIGHT	8.3g	RESTRICTED TO			
ANGLES ± -		CUSTOMER DRAWING		SCALE	2:1	SHEET	1 OF 4
FINISH ± -				REV		B	

THIS DRAWING IS UNPUBLISHED. RELEASED FOR PUBLICATION OCT ,2002.
 © COPYRIGHT 2002 BY TYCO ELECTRONICS CORPORATION. ALL RIGHTS RESERVED.

LOC	DIST	REVISIONS			
P	LTR	DESCRIPTION	DATE	DWN	APVD
ES		SEE SHEET 1	-	-	-



REAL SIZE (SCALE 1:1)

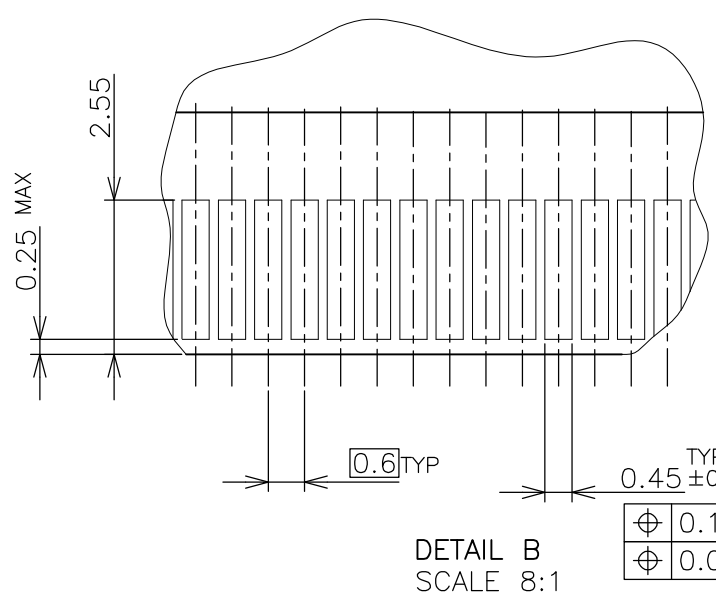
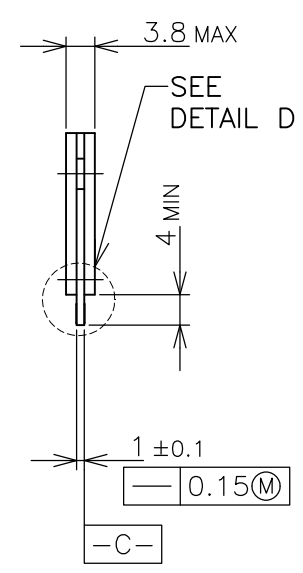
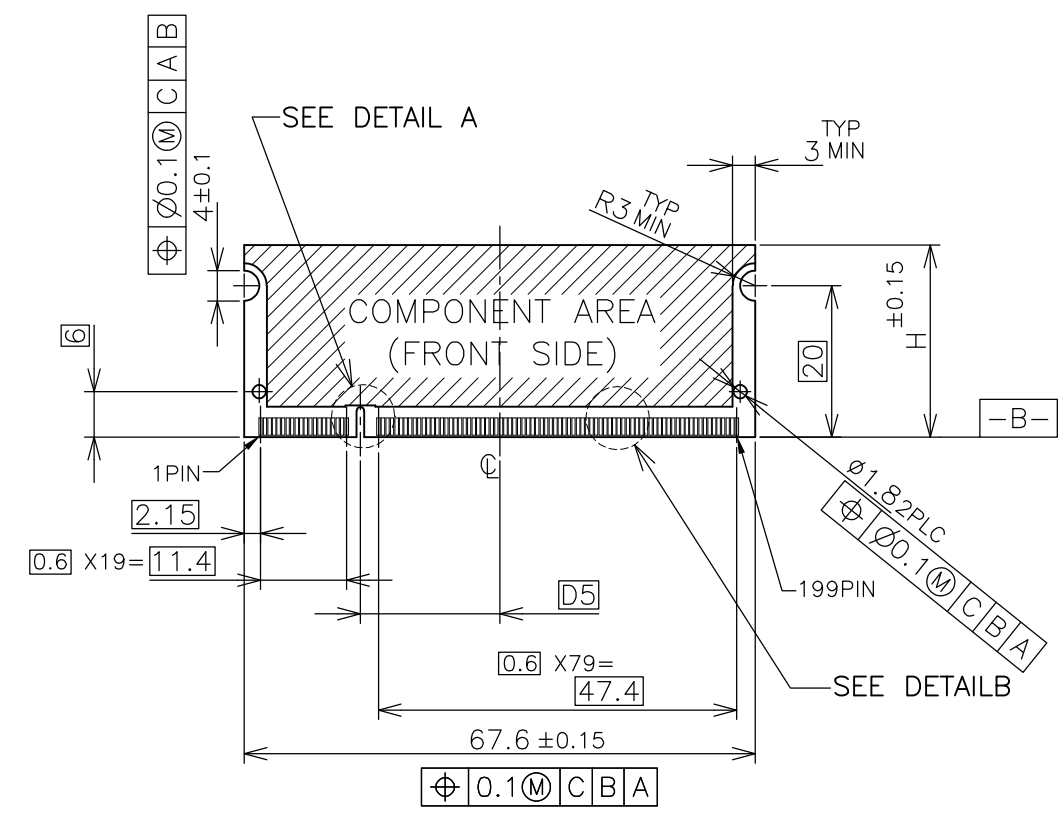


REFERENCE P.C. BOARD PATTERN LAYOUT FOR DUAL USE
(CONNECTOR MOUNTING SIDE)

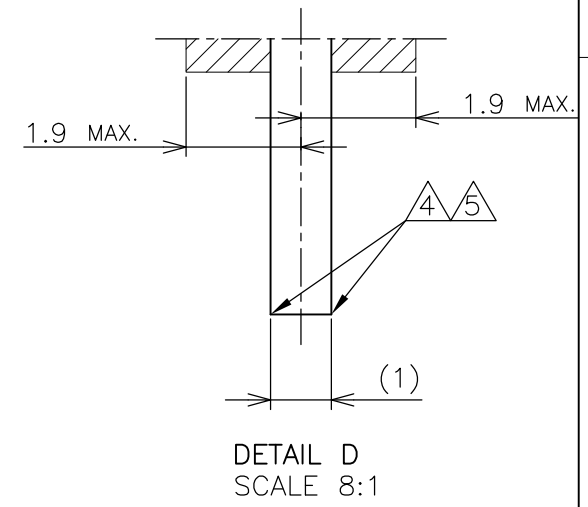
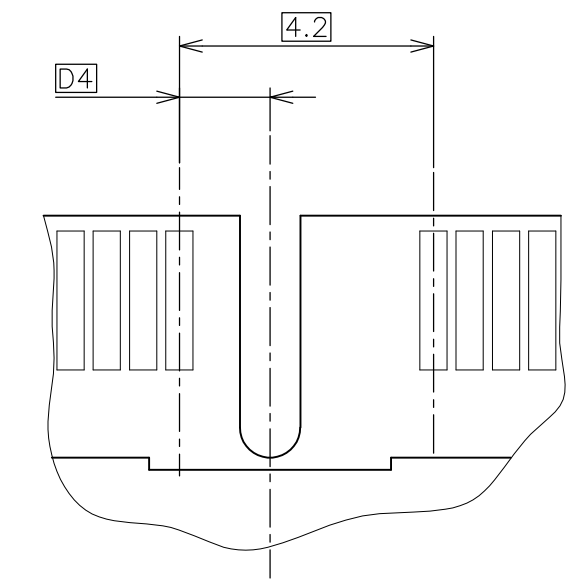
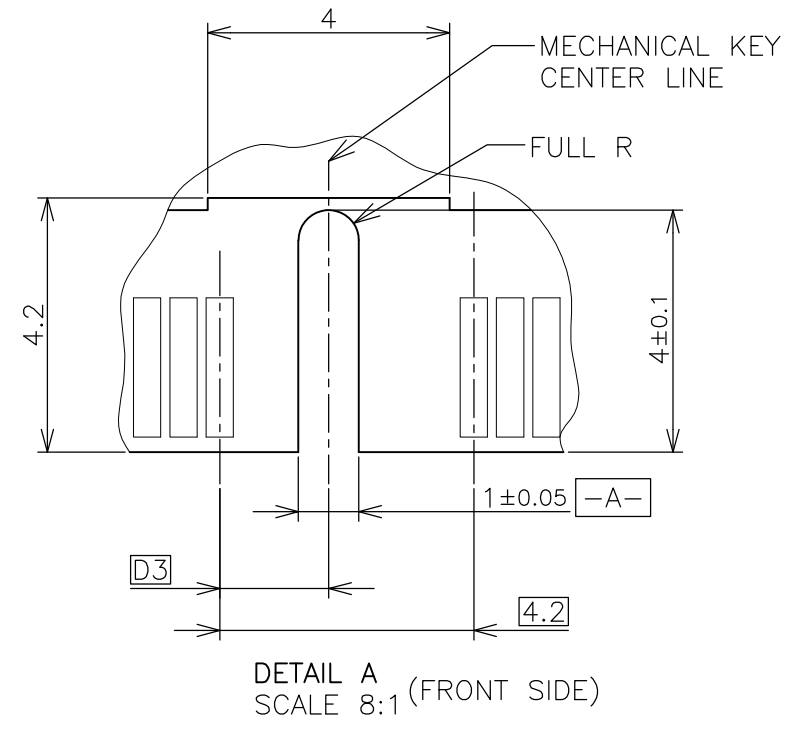
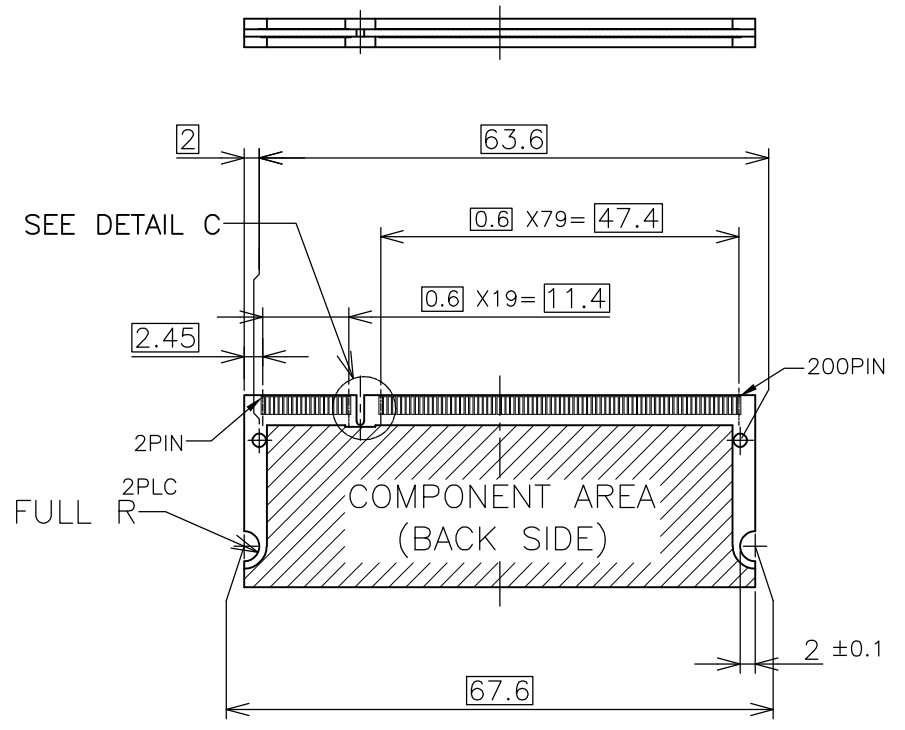
THIS DRAWING IS A CONTROLLED DOCUMENT.		DWN	Tyco Electronics Tyco Electronics Corporation Shanghai, P.R.China, 200233			
DIMENSIONS: MM		CHK				
TOLERANCES UNLESS OTHERWISE SPECIFIED:		APVD	NAME			
0 PLC ± 1 PLC ± 2 PLC ± 3 PLC ± 4 PLC ± ANGLES ± FINISH		PRODUCT SPEC	DDR1 & DDR2 SODIMM SOCKET 0.6mm PITCH 200POS 9.2mm HEIGHT REVERSE TYPE			
MATERIAL		APPLICATION SPEC	SIZE	CAGE CODE	DRAWING NO	RESTRICTED TO
		WEIGHT	A3	00779	C-1932317	
CUSTOMER DRAWING			SCALE	SHEET	OF	REV
			NTS	2	4	B

THIS DRAWING IS UNPUBLISHED. RELEASED FOR PUBLICATION OCT ,2002.
 © COPYRIGHT 2002 BY TYCO ELECTRONICS CORPORATION. ALL RIGHTS RESERVED.

LOC	DIST	REVISIONS					
ES		P	LTR	DESCRIPTION	DATE	DWN	APVD
		-		SEE SHEET 1	-	-	-



- (APPLIED TO SHEET 3)
- 1 TOLERANCES ON ALL DIMENSIONS ±0.15 UNLESS OTHERWISE SPECIFIED.
 - 2 P.C. BOARD THICKNESS APPLIES ACROSS TABS AND INCLUDES PLATING AND/OR METALIZATION.
 - 3 FINISH OF PAD : GOLD PLATING 0.00076 MIN. OVER Ni PLATING 0.002MIN.
- △ NO BURR.
 △ CHAMFER 0.25 MAX x 45° IF EXIST.



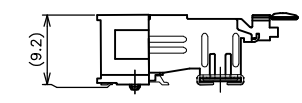
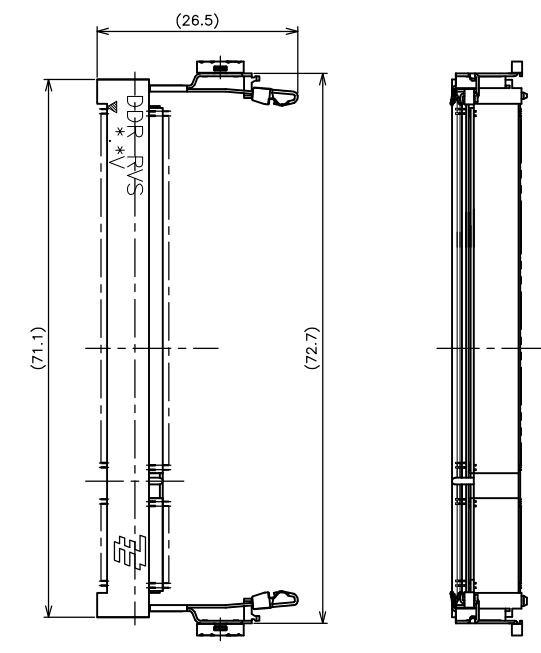
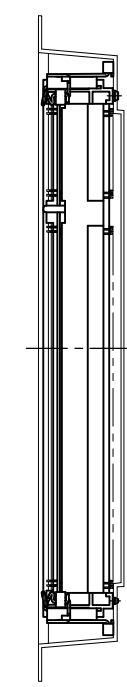
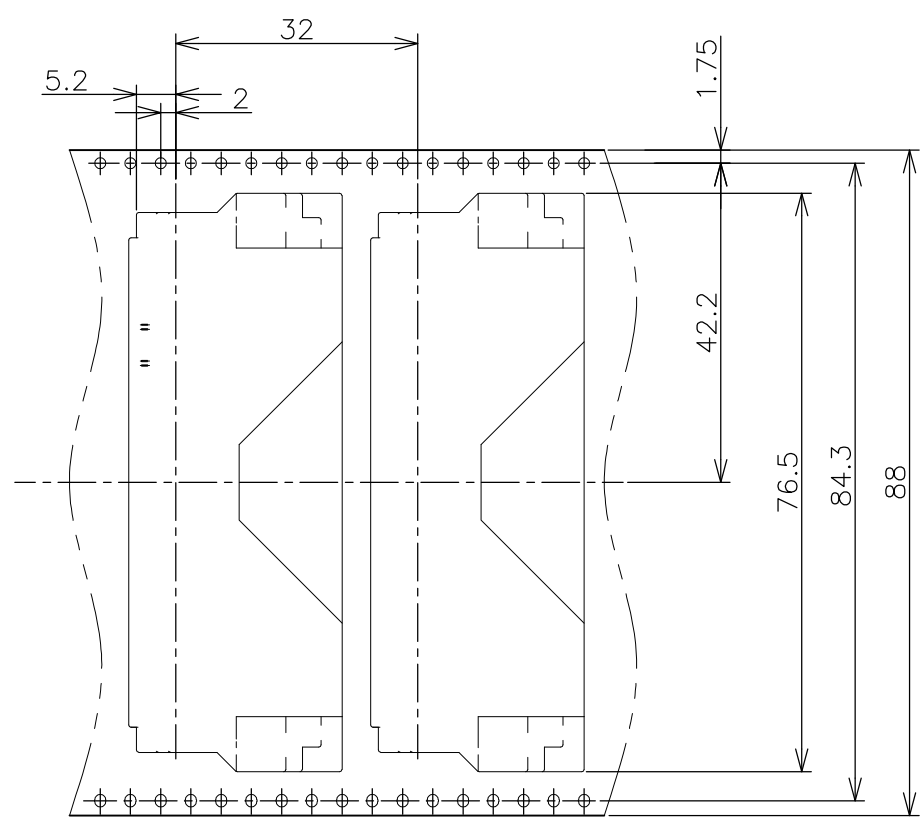
推奨基板仕様
 RECOMMENDED MATING P.C.B CONFIGURATION

THIS DRAWING IS A CONTROLLED DOCUMENT.		DWN	Tyco Electronics Corporation Shanghai, P.R.China, 200233			
DIMENSIONS: MM		CHK	NAME			
TOLERANCES UNLESS OTHERWISE SPECIFIED:		APVD	DDR1 & DDR2 SODIMM SOCKET 0.6mm PITCH 200POS 9.2mm HEIGHT REVERSE TYPE			
0 PLC ±		PRODUCT SPEC	SIZE	CAGE CODE	DRAWING NO	RESTRICTED TO
1 PLC ±		APPLICATION SPEC	A3	00779	C-1932317	
2 PLC ±		WEIGHT	CUSTOMER DRAWING			
3 PLC ±			SCALE	SHEET	OF	REV
4 PLC ±			NTS	3	4	B
ANGLES ±						
FINISH						

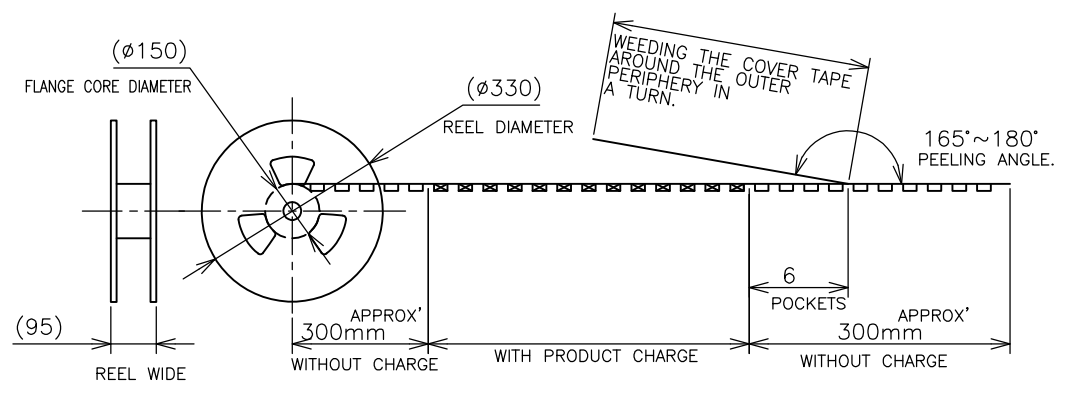
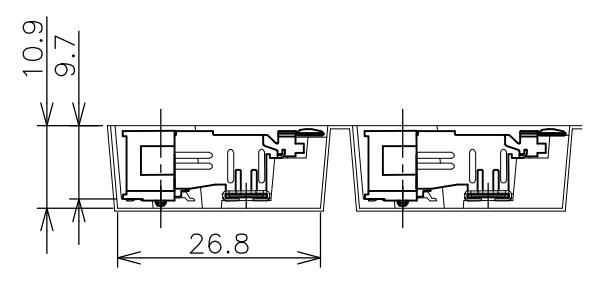
THIS DRAWING IS UNPUBLISHED. RELEASED FOR PUBLICATION OCT ,2002.
 © COPYRIGHT 2002 BY TYCO ELECTRONICS CORPORATION. ALL RIGHTS RESERVED.

LOC ES	DIST	REVISIONS			
P	LTR	DESCRIPTION	DATE	DWN	APVD
	-	SEE SHEET 1	-	-	-

DIRECTION OFF TOP OF REEL →



CONNECTOR DETAIL



120EA/REEL	1932317-4
120EA/REEL	1932317-6
QTY	P/N

THIS DRAWING IS A CONTROLLED DOCUMENT.		DWN	Tyco Electronics Corporation Shanghai, P.R.China, 200233			
DIMENSIONS: MM		CHK				
TOLERANCES UNLESS OTHERWISE SPECIFIED: 0 PLC ± 0.5 1 PLC ± 0.5 2 PLC ± 0.5 3 PLC ± 0.5 4 PLC ± 0.5 ANGLES ± 3°		APVD	NAME			
MATERIAL		PRODUCT SPEC	DDR1 & DDR2 SODIMM SOCKET 0.6mm PITCH 200POS 9.2mm HEIGHT REVERSE TYPE			
FINISH		APPLICATION SPEC	SIZE	CAGE CODE	DRAWING NO	RESTRICTED TO
		WEIGHT	A3	00779	C-1932317	
CUSTOMER DRAWING			SCALE	SHEET	OF	REV
			1:1	4	4	B