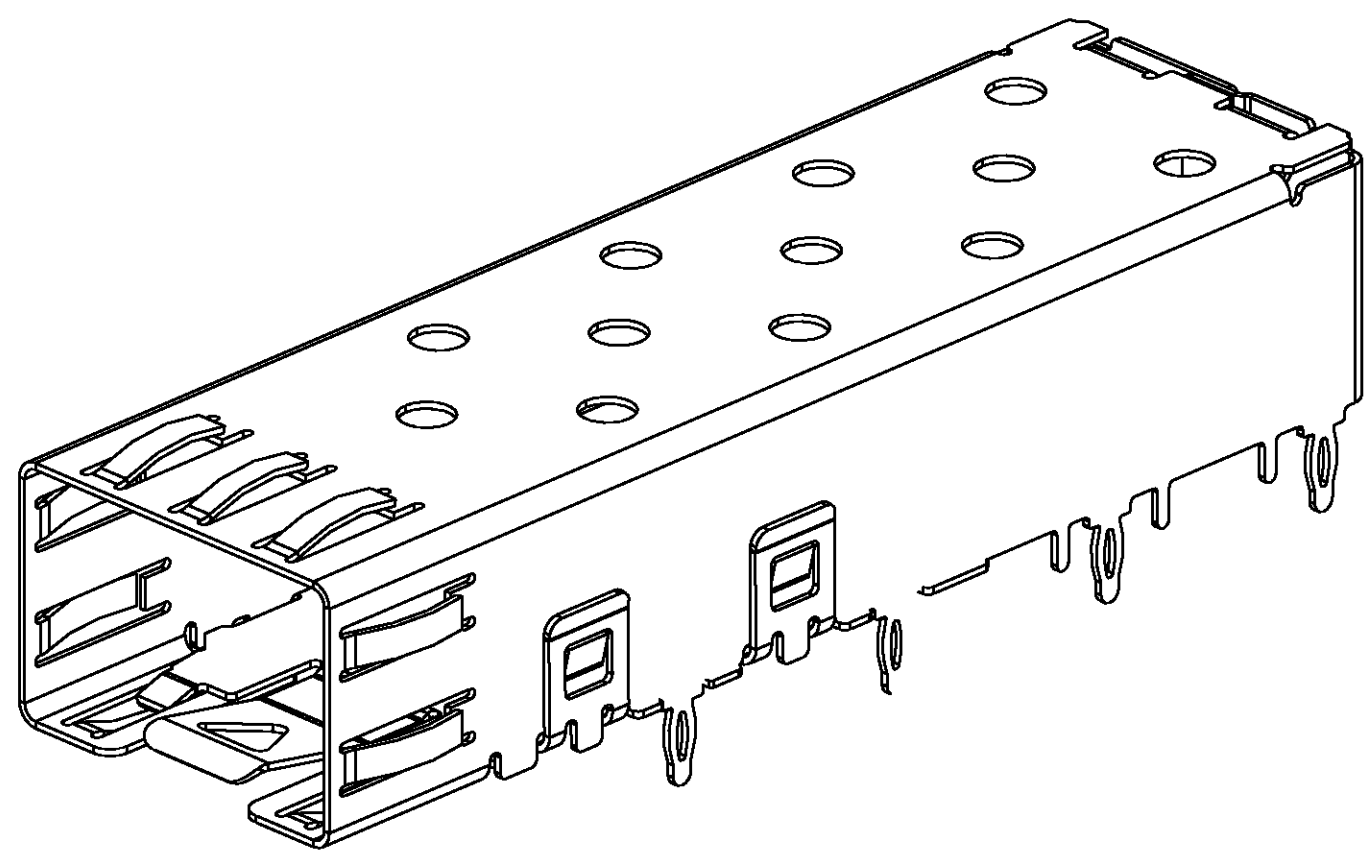
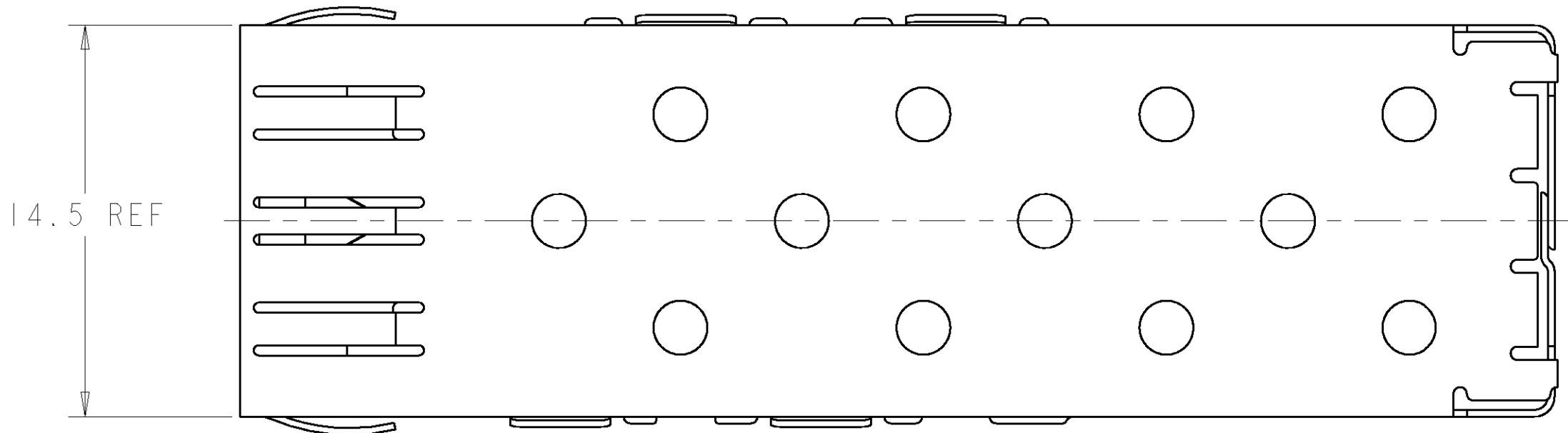


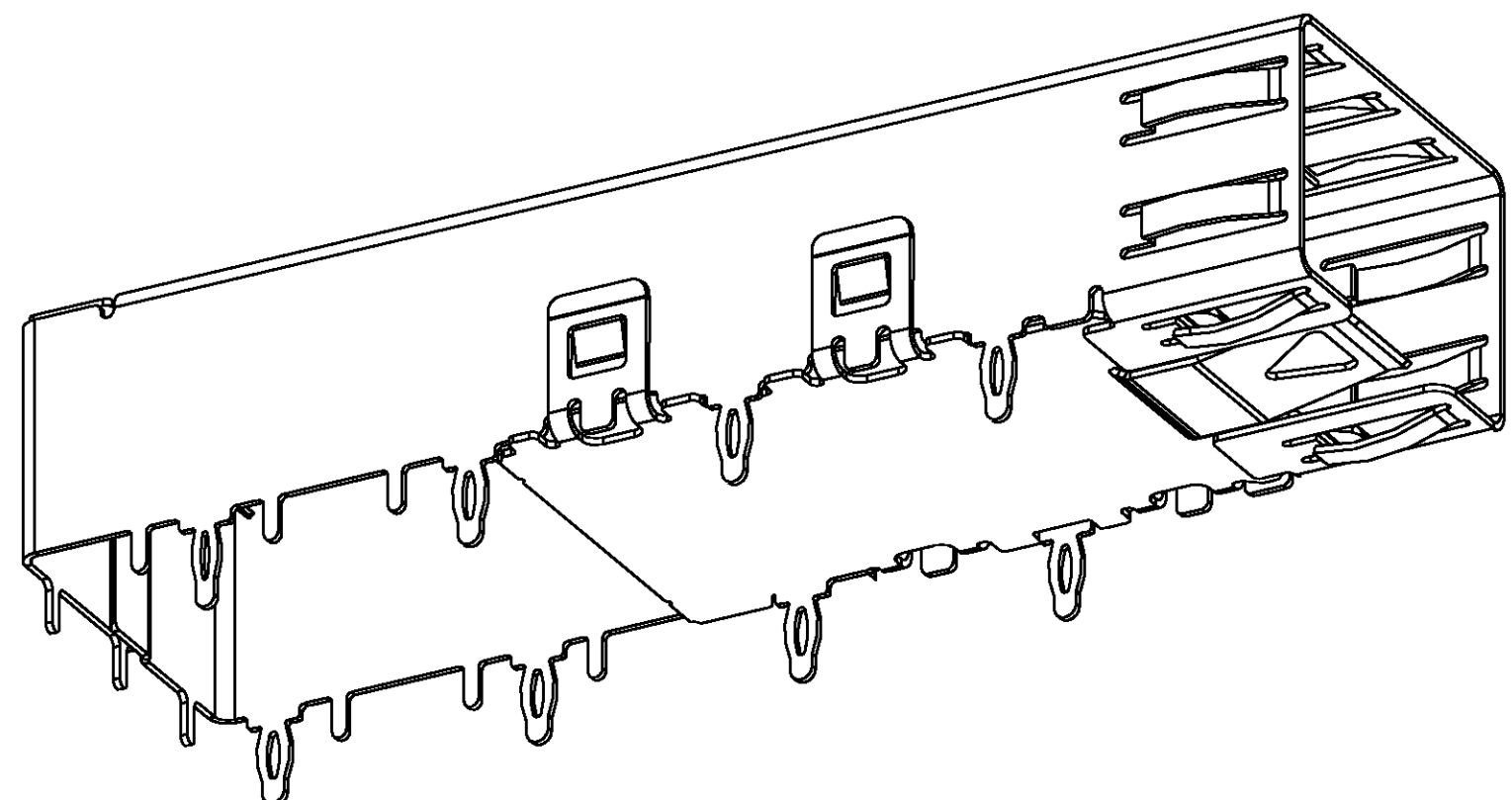
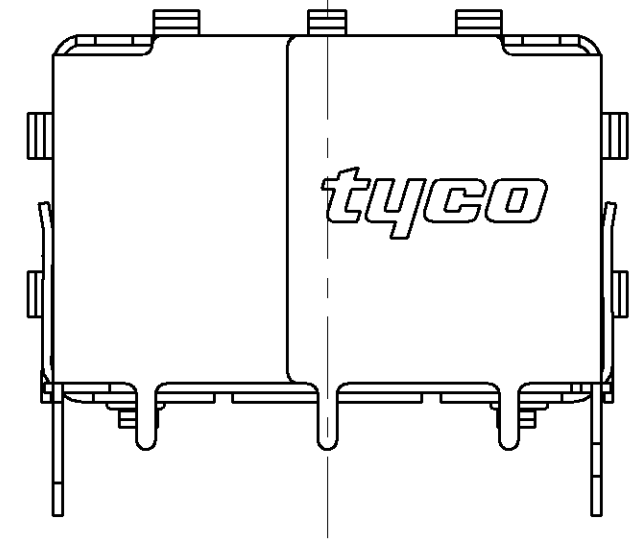
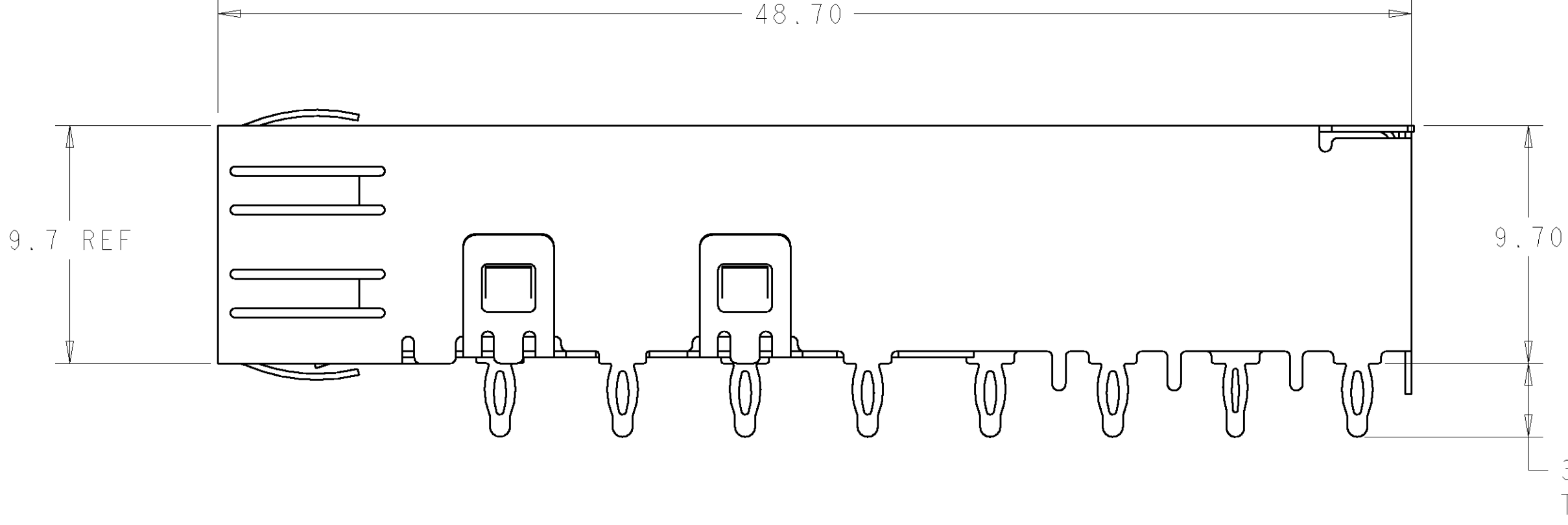
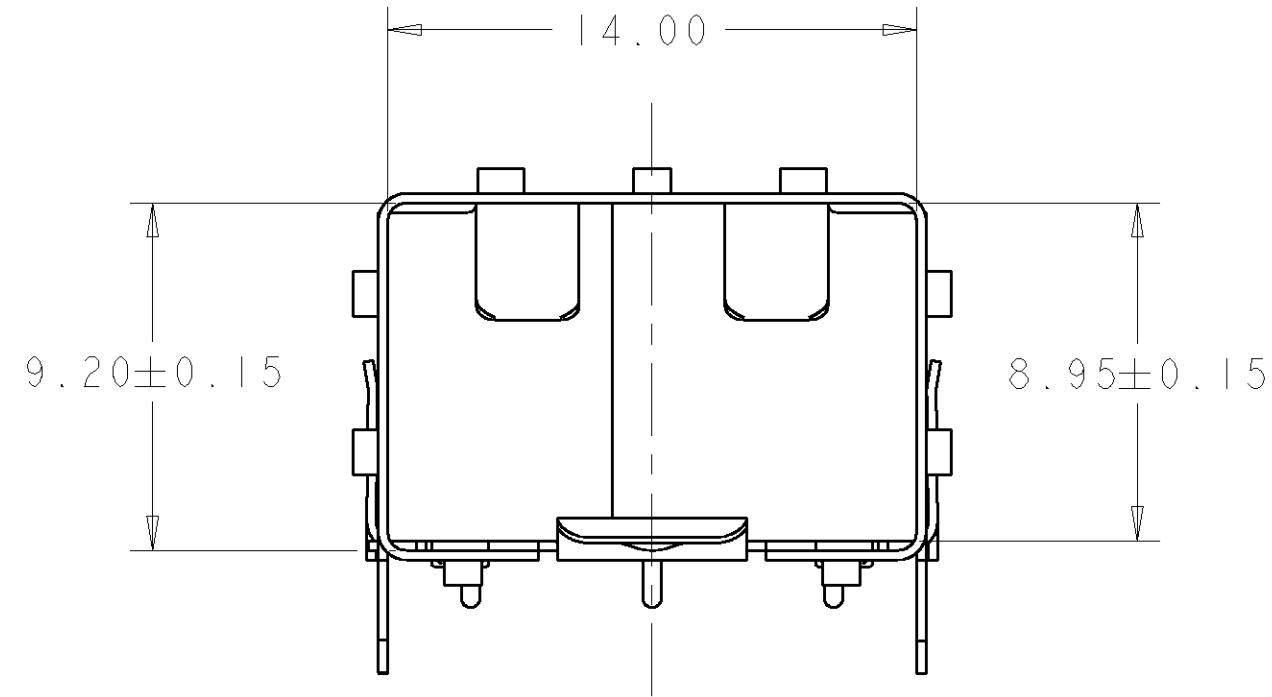
LOC		DIST		REVISIONS			
GP	00	P	LTR	DESCRIPTION	DATE	DWN	APVD
		B		REVISED PER EC 0513-0662-04	07FEB05	JG	PD
		B1		REVISED PER ECO-05-016691	24FEB06	BM	SS



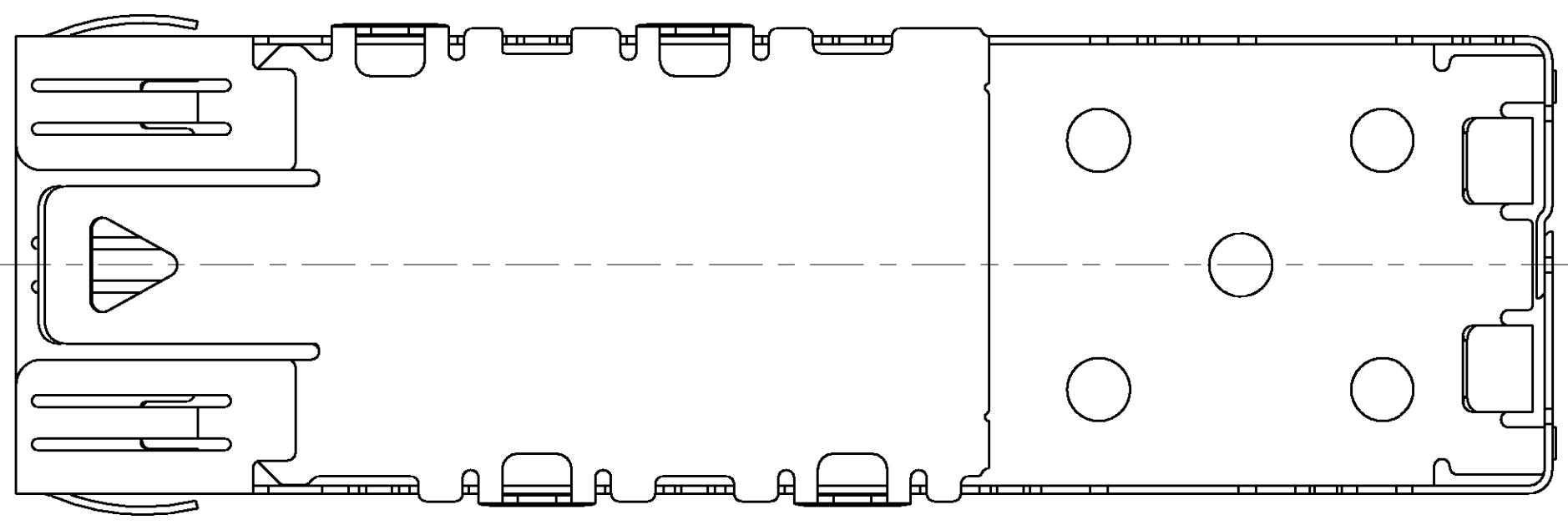
SCALE 4:1



- △ 0.25 THICK COPPER ALLOY.
- △ TIN. NONPLATED EDGES PERMISSIBLE.
- 3. SFP MSA COMPATIBLE.
- △ PADS AND VIAS CHASSIS GROUND.
- △ DATUM AND BASIC DIMENSION ESTABLISHED BY CUSTOMER.
- 6. MINIMUM PC BOARD THICKNESS:  
 SINGLE SIDED= 1.45  
 DOUBLE SIDED= 3.00



SCALE 4:1

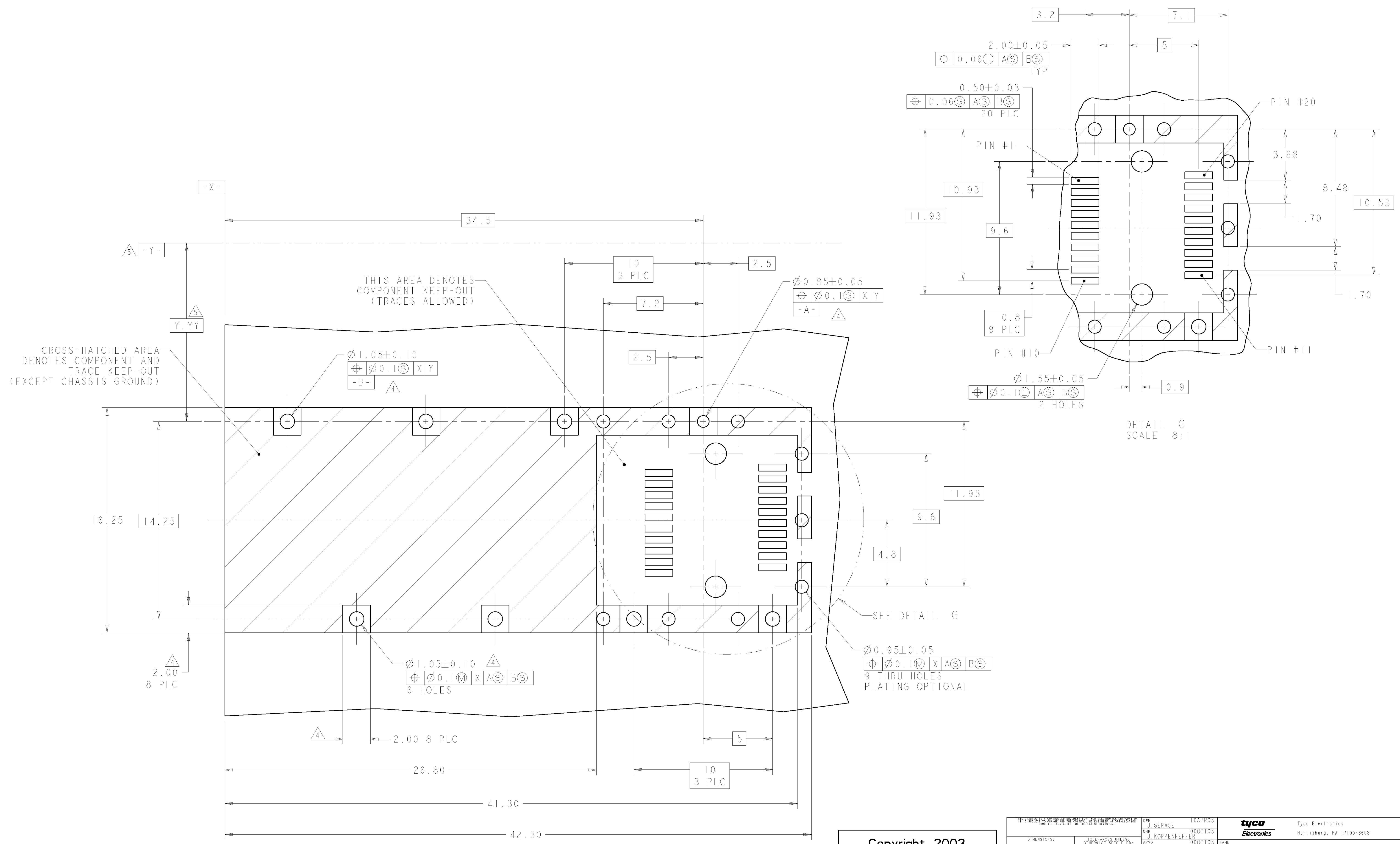


1658524-1  
 PART NUMBER

Copyright 2003  
 Tyco Electronics Corp  
 All Rights Reserved

DIMENSIONS: mm 		TOLERANCES UNLESS OTHERWISE SPECIFIED: 0 PLC ± 1 PLC ±0.10 2 PLC ± 3 PLC ± 4 PLC ± ANGLES ± FINISH		DWN J. GERACE 16APR03 CDR J. KOPPENHEFFER 06OCT03 APVD M. WALMSLEY 06OCT03 PRODUCT SPEC 108-1950 APPLICATION SPEC 114-13120 WEIGHT - CUSTOMER DRAWING		<b>tyco</b> Tyco Electronics Harrisburg, PA 17105-3608 NAME CAGE ASSEMBLY, 8 PRESS FIT, SFP SIZE CAGE CODE DRAWING NO RESTRICTED TO A100779C=1658524 SCALE 5:1 SHEET 1 OF 2 REV B1	
-----------------------	--	---	--	---	--	---	--

LOC	DIST	P	LTR	DESCRIPTION	DATE	DRW	APVD
GP	00	-	-	SEE SHEET 1	-	-	-



RECOMMENDED PCB LAYOUT  
 SCALE 8:1

Copyright 2003  
 Tyco Electronics Corp  
 All Rights Reserved

DIMENSIONS: mm 		TOLERANCES UNLESS OTHERWISE SPECIFIED: 0 PLC ± 1 PLC ±0.10 2 PLC ± 3 PLC ± 4 PLC ± ANGLES ±		DWN J. GERACE 16APR03 ENR J. KOPPENHEFFER 06OCT03 APVD M. WALMSLEY 06OCT03 NAME PRODUCT SPEC 108-1950 APPLICATION SPEC 114-13120 WEIGHT CUSTOMER DRAWING		tyco Tyco Electronics Harrisburg, PA 17105-3608 CAGE ASSEMBLY, 8 PRESS FIT, SFP SIZE CAGE CODE DRAWING NO RESTRICTED TO A100779C=1658524 SCALE 5:1 SHEET 2 OF 2 REV B1	
-----------------------	--	---	--	---	--	--	--