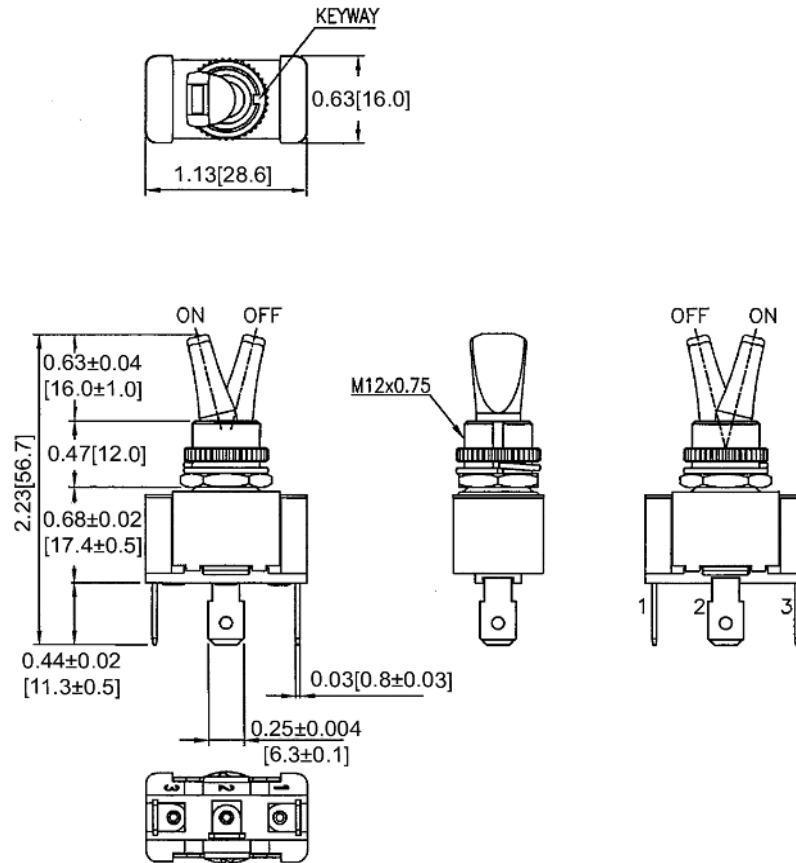
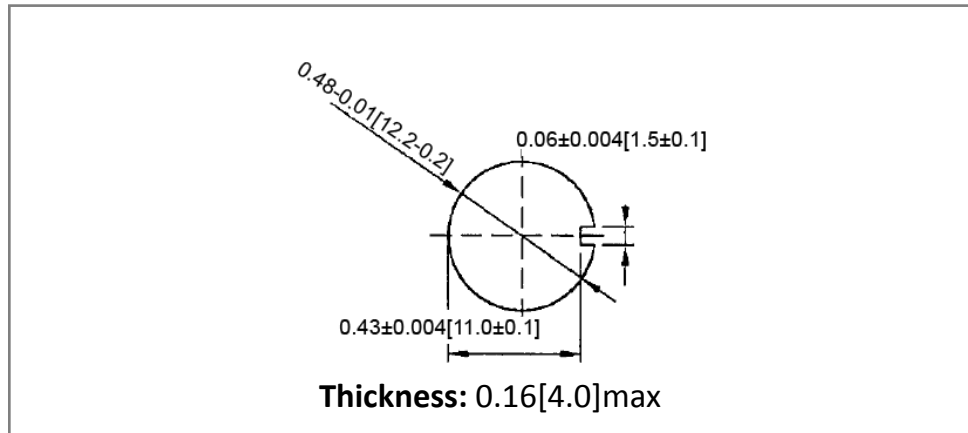


Mechanical Dimensions: Inches [mm]

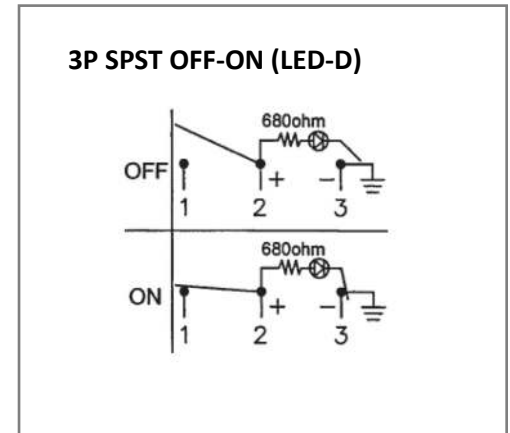
Tolerances ± 0.012 [0.3] Unless Otherwise Specified



Mounting Hole



Circuit Diagram



Electrical Specifications

Rating	20A 12V DC
Contact Resistance	50m ohm Max
Insulation Resistance	DC 500V 100M ohm Min
Dielectric Strength	AC 1500V 1 minute
Operation Temperature	20°C ~ 85°C

Material Specifications

1 HEX NUT ASSY	
1 SPRING WASHER ASSY	
1 KNURL NUT ASSY	
LED	Green (Dependent)

Rev	Date of issue	Revision Notes	Designed	Approved
B	03-04-2020	Initial Drawing	RC	OF