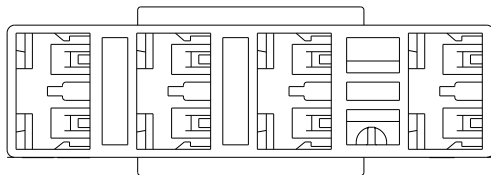
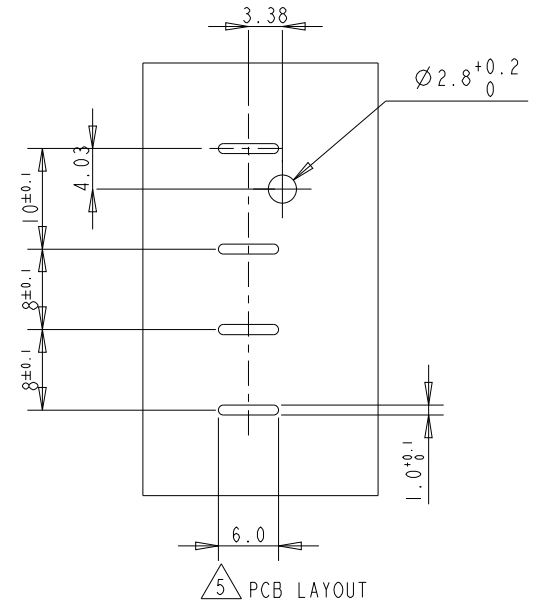
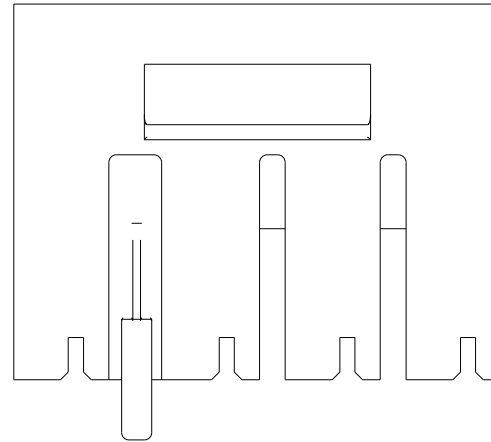
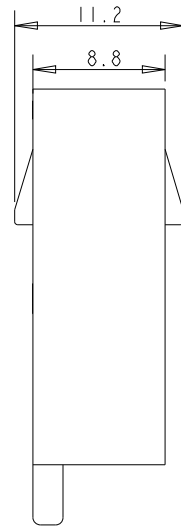
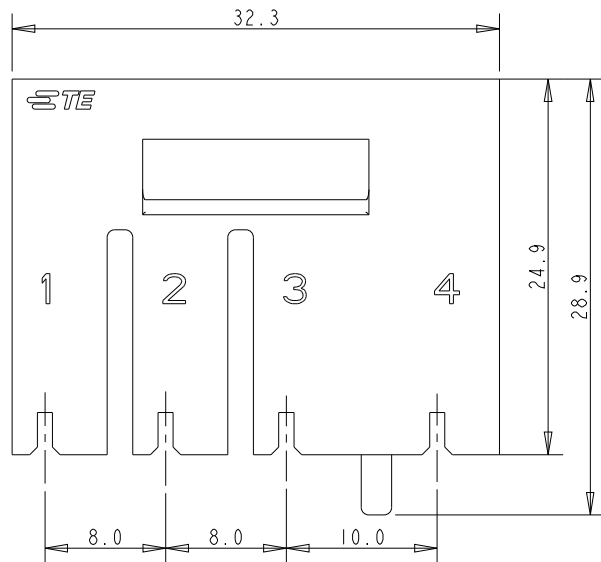
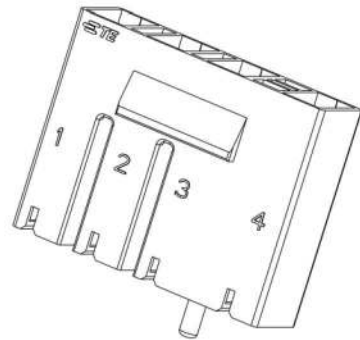


REVISIONS					
P	LTR	DESCRIPTION	DATE	DWN	APVD
A		INITIAL RELEASE	09NOV21	DT	EW

NOTE:  
 1. APPLICABLE CONTACT PN: 2379911-1  
 2. MATERIAL: PBT UL94 V-0  
 3. GWT 750 VERSION, ACCORDING TO IEC 60335-1  
 4. THE TAB MUST BE PERPENDICULAR TO THE PCB WITHIN THE TOLERANCE  $90^{\circ} \pm 2^{\circ}$

5 PCB LAYOUT WHEN USING TAPING TAB: 2358709-1



NATURAL	PBT	2380041-1
COLOR	MATERIAL	PN

THIS DRAWING IS A CONTROLLED DOCUMENT.		DWN DON TANG 07DEC2020	TE Connectivity	
		CHK DAISY LI 07DEC2020		
		APVD ERIC WANG 07DEC2020	NAME 250 HSG. F-SPRING REC. 10mm/8mm 4P	
DIMENSIONS: mm		PRODUCT SPEC 108-106568		
TOLERANCES UNLESS OTHERWISE SPECIFIED:		APPLICATION SPEC		
0 PLC ±0.25 1 PLC ±0.2 2 PLC ± 3 PLC ± 4 PLC ± ANGLES ±		SIZE A3		RESTRICTED TO
MATERIAL -		WEIGHT -		CAGE CODE 00779
FINISH -		DRAWING NO C=2380041		SHEET OF
		CUSTOMER DRAWING		SCALE 1:1
				REV A