



Dynamic Series | Dynamic Pneumatic Series

TE Internal #: 1903105-1

Housing, Plug, Wire-to-Wire, 2 Position, .334 in [8.5 mm] Centerline, Crimp, 1 Row, Black, Mating Retention, Dynamic Pneumatic Series

[View on TE.com >](#)

Connectors > PCB Connectors > Wire-to-Board Connectors > Wire-to-Board Connector Assemblies & Housings



Connector Product Type: **Housing**

Connector & Housing Type: **Plug**

Connector System: **Wire-to-Wire**

Number of Positions: **2**

Centerline (Pitch): **8.5 mm [ .334 in ]**

**Features**

**Product Type Features**

Connector Product Type	Housing
Connector & Housing Type	Plug
Connector System	Wire-to-Wire
Sealable	No

**Configuration Features**

Number of Positions	2
Number of Rows	1

**Body Features**

Primary Product Color	Black
-----------------------	-------

**Termination Features**

Termination Method to Wire & Cable	Crimp
------------------------------------	-------

**Mechanical Attachment**

Mating Retention	With
Connector Mounting Type	Cable Mount (Free-Hanging)



### Housing Features

Centerline (Pitch)	8.5 mm [.334 in]
--------------------	------------------

### Product Compliance

[For compliance documentation, visit the product page on TE.com>](#)

EU RoHS Directive 2011/65/EU	Compliant
EU ELV Directive 2000/53/EC	Compliant
China RoHS 2 Directive MIIT Order No 32, 2016	No Restricted Materials Above Threshold
EU REACH Regulation (EC) No. 1907/2006	Current ECHA Candidate List: JUNE 2023 (235) Candidate List Declared Against: JAN 2023 (233) Does not contain REACH SVHC
Halogen Content	Not Low Halogen - contains Br or Cl > 900 ppm.
Solder Process Capability	Not applicable for solder process capability

#### Product Compliance Disclaimer

This information is provided based on reasonable inquiry of our suppliers and represents our current actual knowledge based on the information they provided. This information is subject to change. The part numbers that TE has identified as EU RoHS compliant have a maximum concentration of 0.1% by weight in homogenous materials for lead, hexavalent chromium, mercury, PBB, PBDE, DBP, BBP, DEHP, DIBP, and 0.01% for cadmium, or qualify for an exemption to these limits as defined in the Annexes of Directive 2011/65/EU (RoHS2). Finished electrical and electronic equipment products will be CE marked as required by Directive 2011/65/EU. Components may not be CE marked. Additionally, the part numbers that TE has identified as EU ELV compliant have a maximum concentration of 0.1% by weight in homogenous materials for lead, hexavalent chromium, and mercury, and 0.01% for cadmium, or qualify for an exemption to these limits as defined in the Annexes of Directive 2000/53/EC (ELV). Regarding the REACH Regulation, the information TE provides on SVHC in articles for this part number is based on the latest European Chemicals Agency (ECHA) 'Guidance on requirements for substances in articles' posted at this URL: <https://echa.europa.eu/guidance-documents/guidance-on-reach>

### Compatible Parts



TE Part # 1903100-2  
PNEUMATIC CONN MALE CONTACT ASSY DIA4 FKM



TE Part # 1903289-1  
PNEUMATIC CONN FEMALE CONTACT ASSY DIA4



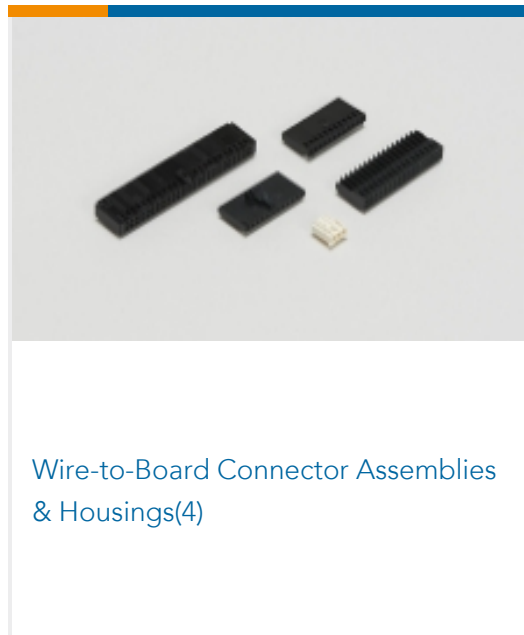
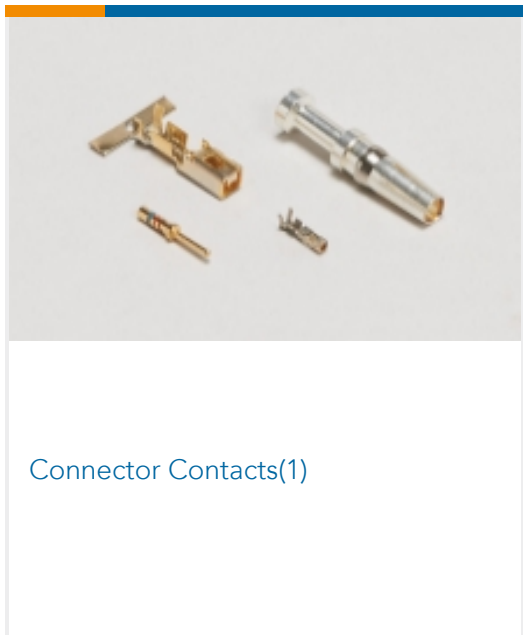
TE Part # 1903100-1  
PNEUMATIC CONN MALE CONTACT ASSY DIA4



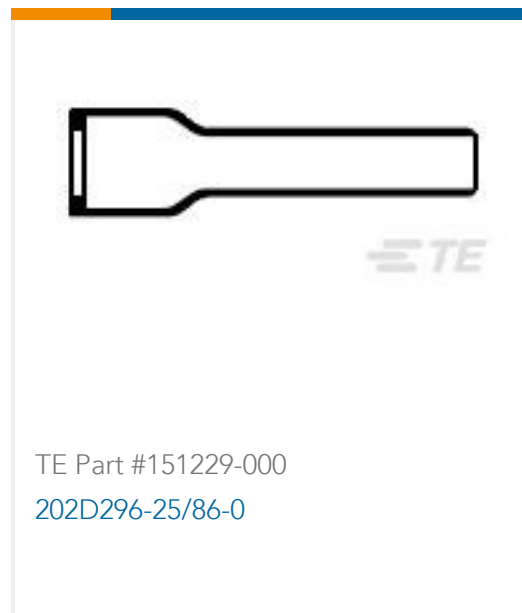
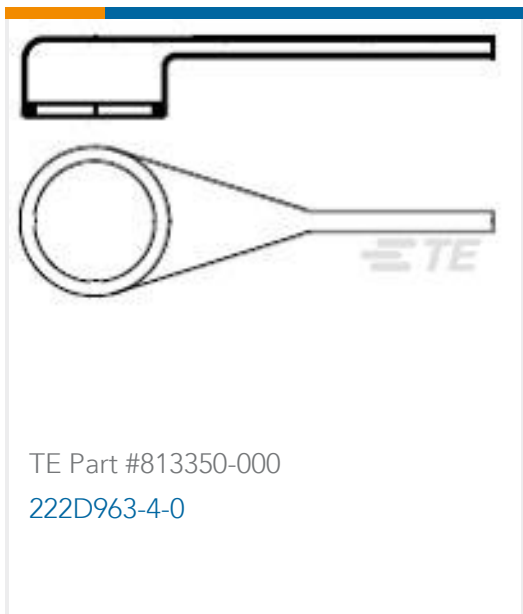
TE Part # 1903305-1  
CAP HSG 2P F/H PNEUMATIC CONNECTOR



Also in the Series | **Dynamic Pneumatic Series**



Customers Also Bought



Documents

Product Drawings

PLUG HSG 2P, PNEUMATIC CONN

English

CAD Files

3D PDF

3D



### Customer View Model

[ENG\\_CVM\\_CVM\\_1903105-1\\_C.2d\\_dxf.zip](#)

English

### Customer View Model

[ENG\\_CVM\\_CVM\\_1903105-1\\_C.3d\\_igs.zip](#)

English

### Customer View Model

[ENG\\_CVM\\_CVM\\_1903105-1\\_C.3d\\_stp.zip](#)

English

By downloading the CAD file I accept and agree to the [Terms and Conditions](#) of use.

---

### Datasheets & Catalog Pages

[1-1773732-4\\_DYNAMIC\\_SERIES\\_CATALOG\\_ENGLISH](#)

Japanese

[1-1773732-4\\_DYNAMIC\\_SERIES\\_CATALOG\\_ENGLISH](#)

English

---

### Product Specifications

[Product Specification](#)

Japanese

---

### Instruction Sheets

[Instruction Sheet \(non U.S.\)](#)

Japanese