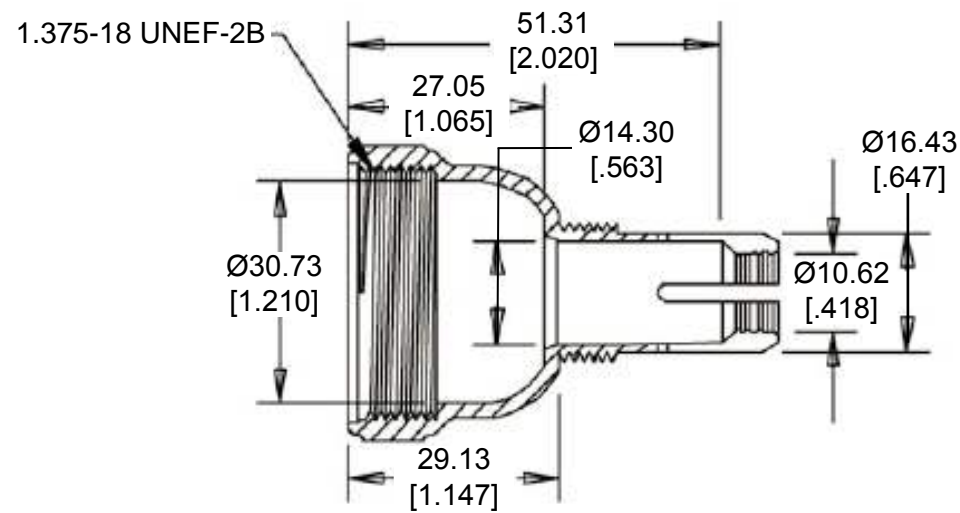
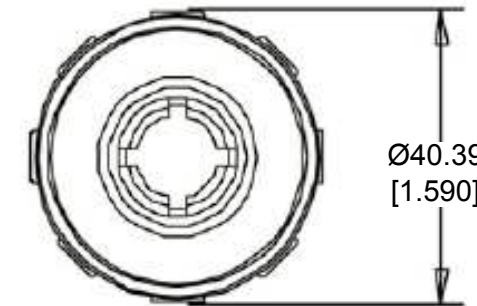
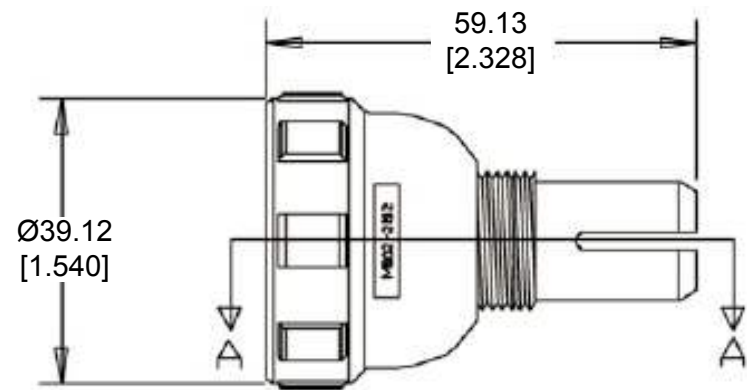


REVISIONS

P	LTR	DESCRIPTION	DATE	DWN	APVD
A		NEW RELEASE PER ECO-14-013595	09-05-14	DM	DM



SECTION A-A

- 6. PART NO. M902-2192
- 5. CABLE STRIPPED LENGTH: 63.50 [2.500] MAX.
- 4. CABLE SIZE: Ø.300- Ø.430
- 3. TEMPERATURE RATING: -40°C TO +134°C [-40°F TO +273°F]
- 2. THIS PART IS USED WITH:  
COMPRESSION NUT, M902-2042
- 1. THIS PART IS USED ON  
HD1X-9-96X PLUG / RECEPTACLES  
HD1X-9-1939X PLUG / RECEPTACLES  
SEE INDIVIDUAL CUSTOMER DRAWINGS

THIS DRAWING IS A CONTROLLED DOCUMENT.		DWN D. MEYER 05SEP2014		
DIMENSIONS: MM [INCH]		CHK I. GRANTCHAROVA 05SEP2014		
TOLERANCES UNLESS OTHERWISE SPECIFIED:		APVD D. MEYER 05SEP2014	NAME BACKSHELL, SIZE 9 CABLE SIZE: Ø.300 - Ø.430 HD10 SERIES	
		PRODUCT SPEC	RESTRICTED TO	
MATERIAL PC/PBT		APPLICATION SPEC	SIZE A3	CAGE CODE 4AFU8
FINISH BLACK		WEIGHT 13.98 g	DRAWING NO. M902-2192	
		Customer Drawing	SCALE NONE	SHEET 1 OF 1
				REV A