

D

C

B

A

4

4

3

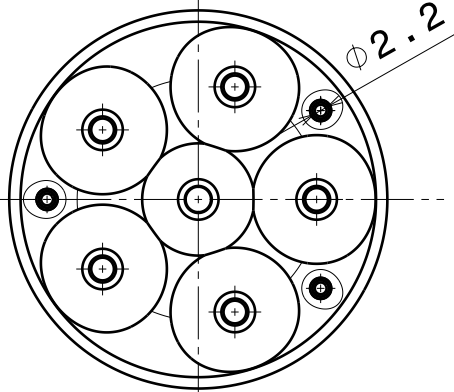
3

2

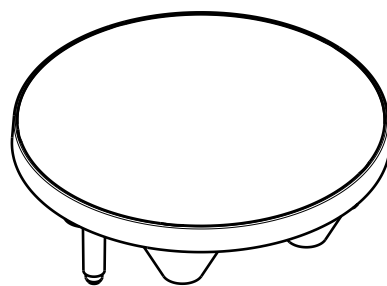
2

1

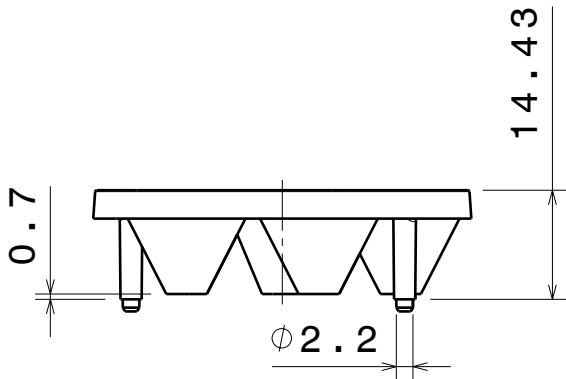
1



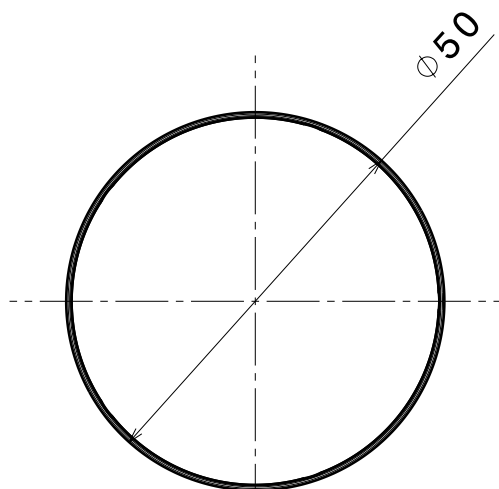
Bottom view



Isometric view



Front view

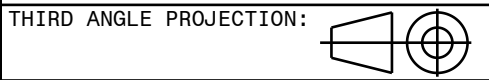


Top view

INDEX	PART NO	DESCRIPTION	MATERIAL	COLOUR
1	C13602	EMY-S	PMMA 8N	

Tolerances if not otherwise shown
 According to DIN ISO 2768-1
 Linear measures:
 Up to 30mm class M, otherwise class C.
 According to DIN ISO 2768-2
 Form and position: class L

LEDiL LediL Oy
 Salorankatu 10
 FIN 24240 SALO
 Finland



DRAWING TITLE
C13602_EMY-S Datasheet

This drawing is the property of LEDiL Oy. It may not be reproduced, copied or communicated without a written agreement with LEDiL Oy."

SIZE	PART NUMBER
A4	C13602

SCALE	1:1	WEIGHT	14.3 g	SHEET	1/1
-------	-----	--------	--------	-------	-----

D

A