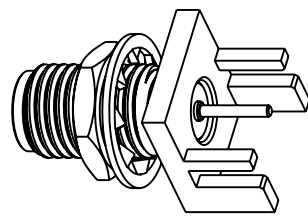


NOTES:

- MATERIALS OF FINISHES:  
 HEX NUT - BRASS, GOLD PLATING  
 LOCK WASHER - BRASS, GOLD PLATING  
 O-RING - SILICONE RUBBER, RED  
 BODY - BRASS, GOLD PLATING  
 CONTACT PIN - BERYLLIUM COPPER, GOLD PLATING  
 INSULATOR - PTFE, NATURAL
- ELECTRICAL:  
 A. IMPEDANCE: 50 OHM  
 B. FREQUENCY RANGE: 0-18 GHZ  
 C. D.W.V: 1000 VRMS, MIN.
- MECHANICAL:  
 A. DURABILITY: 500 CYCLES MIN.  
 B. TEMPERATURE RANGE: -65°C TO +165°C
- CONTACT PIN MUST WITHSTAND 6 LBS MIN. AXIAL IN BOTH DIRECTIONS AND 4 IN-OZ MIN. RADIAL FORCE.
- BOARD THICKNESS=1.57 MM [.062"]
- MAX. PANEL THICKNESS=3.5mm

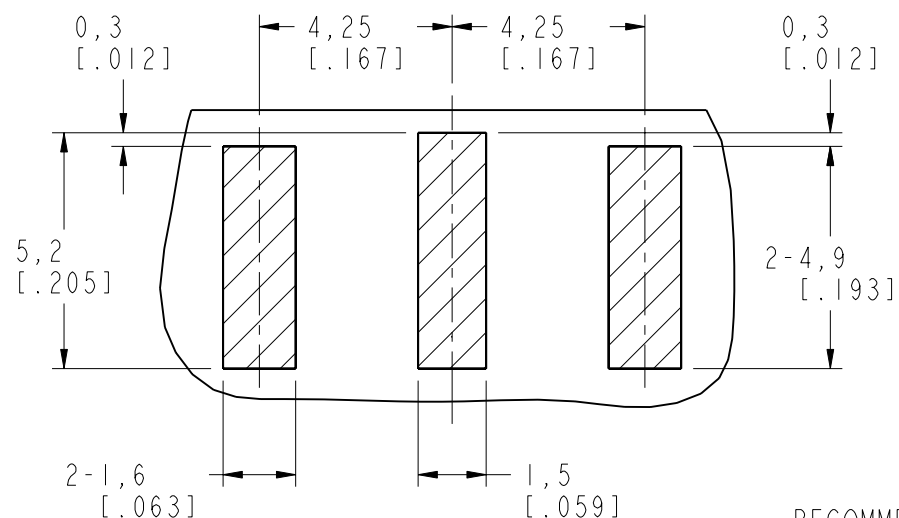


SCALE 2.000

THIRD ANGLE PROJ.

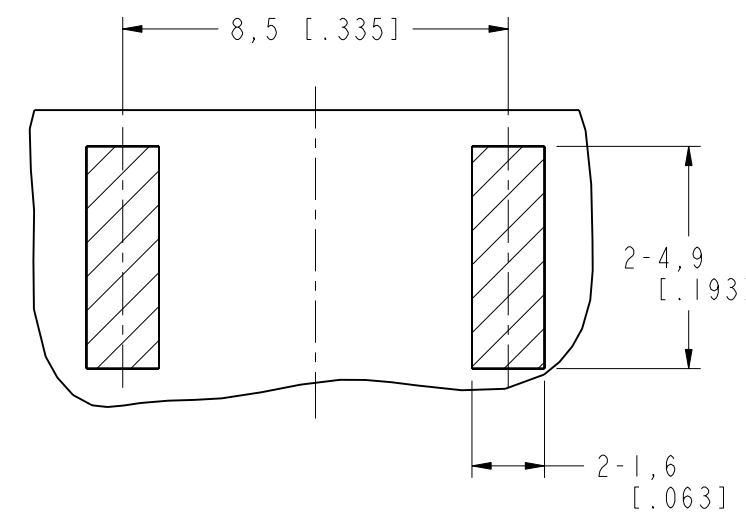
REVISIONS

REV	DESCRIPTION	DATE	ECO	APPR
NC	INITIAL RELEASE	26-Oct-10	----	MZ
A	SYNC, CHANGE THE CENTER CONTACT PLATING	25-Aug-15	50711	MM

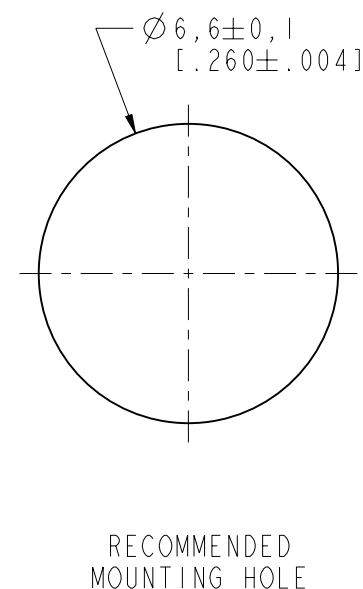
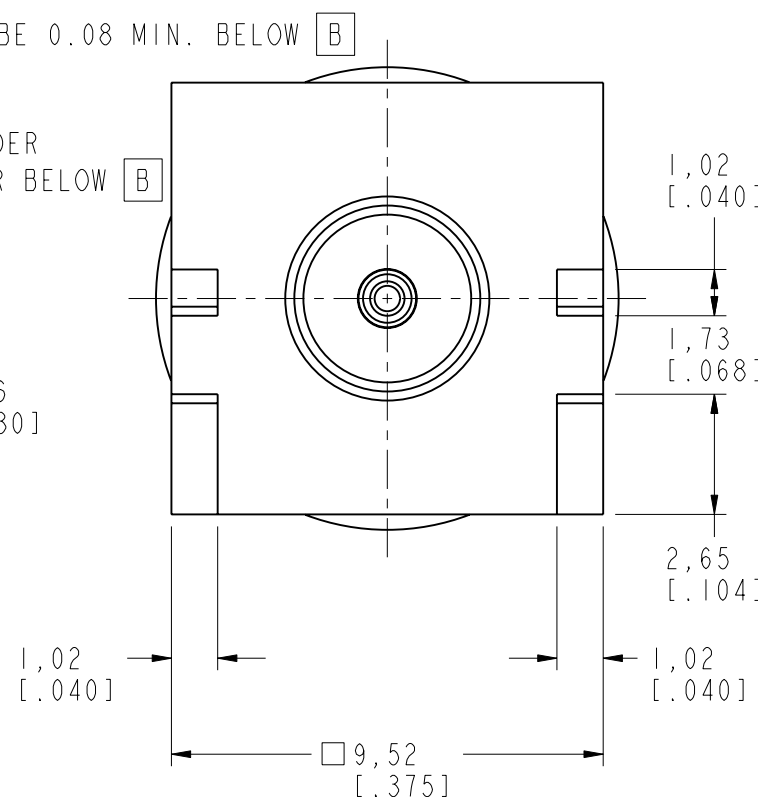
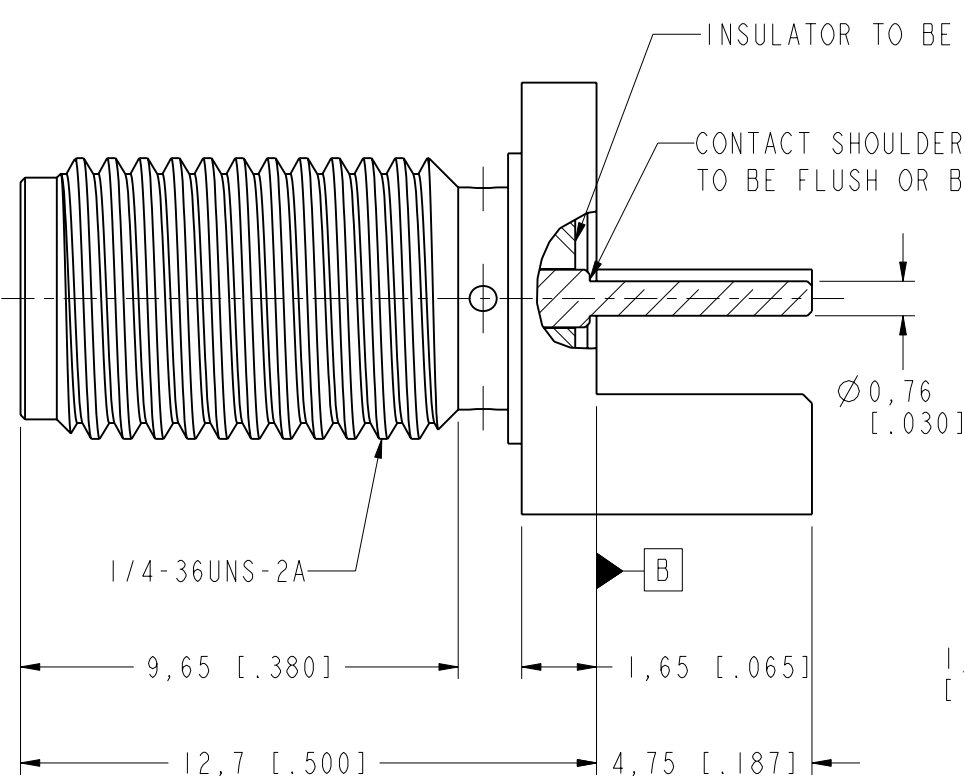
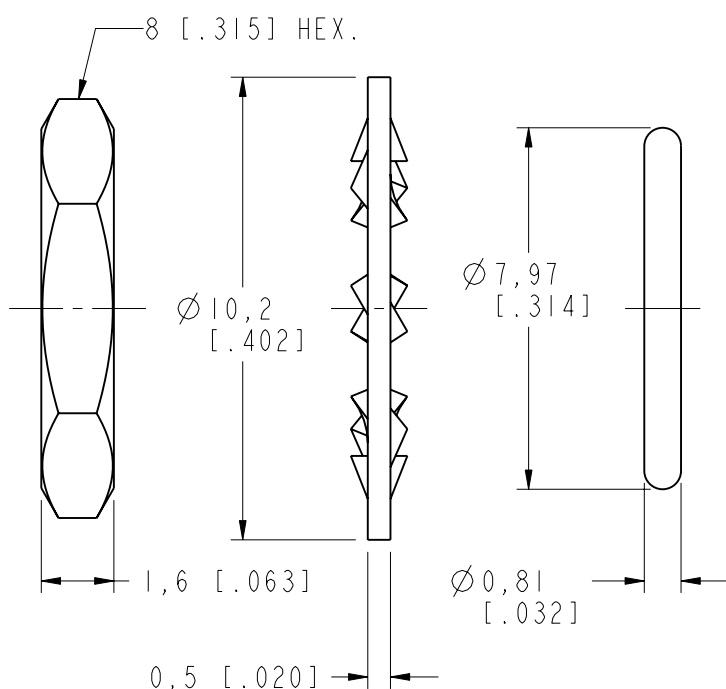


TOP VIEW

RECOMMENDED PCB LAYOUT



BOTTOM VIEW



**CUSTOMER OUTLINE DRAWING**

ALL OTHER SHEETS ARE FOR INTERNAL USE ONLY

UNLESS OTHERWISE SPECIFIED, DIMENSIONS ARE IN METRIC AND TOLERANCES ARE:  
 <0.5mm ±0.05mm    0.5 - 6mm ±0.1mm    6 - 30mm ±0.2mm    30 - 120mm ±0.3mm    ANGLES ±1°

NOTICE - These drawings, specifications, or other data (1) are, and remain the property of Amphenol corp. (2) must be returned upon request; and (3) are confidential and not to be disclosed to any person other than those to whom they are given by Amphenol Corp. the furnishing of these drawings, specifications, or other data by Amphenol Corp., or to any other person to anyone for any purpose is not to be regarded by implication or otherwise in any manner licensing, granting rights to permitting such holder or any other person to manufacture, use or sell any product, process or design, patented or otherwise, that may in any way be related to or disclosed by said drawings, specifications, or other data.

MATERIAL	
REFERENCE	EAR# 6846 AND
CONFIGURATION LEVEL:	In Work
FINISH	

DRAWN	M. ZHANG	DATE	25-Aug-15
ENGINEER	S. DUAN	DATE	25-Aug-15
APPROVED	S. HSIEH	DATE	25-Aug-15
CAD FILE			

TITLE	
SMA END LAUNCH RECEPT. JACK, WITH O-RING (FOR .062" THICK PCB)	
SCALE: 6.0:1.0	SHEET 2 OF 2
DWG SIZE B	REV A

Amphenol RF	
www.amphenolrf.com	
DRAWING NO. SMA6251A1-115-3GT5GP-50	
ITEM NO.	116251AEV02FR5F
PART NO.	132289-14