

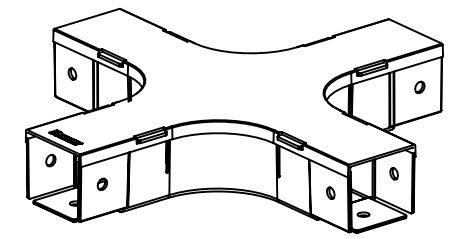
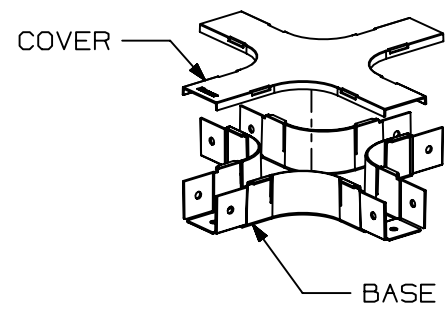
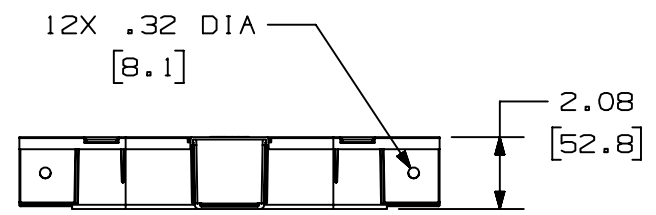
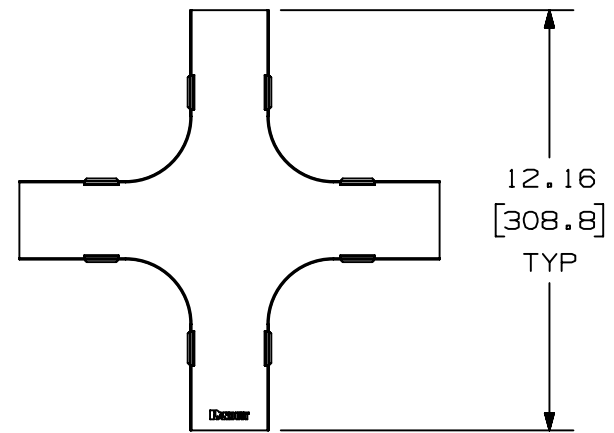
2

1

THIS COPY IS PROVIDED ON A RESTRICTED BASIS AND IS NOT TO BE USED IN ANY WAY DETRIMENTAL TO THE INTERESTS OF PANDUIT CORP.

NOTES:

1. SEE CURRENT CATALOG FOR ADDITIONAL PART SUFFIXES TO INDICATE COLOR AND/OR PACKAGE QUANTITY.
2. THE FIBER-DUCT 2x2 AND FIBERRUNNER 2x2 FOUR-WAY CROSS FITTING IS DESIGNED WITH A MINIMUM 2" (50.8) BEND RADIUS TO PROTECT FIBER OPTIC CABLE.
3. PARTS SUPPLIED:
 (1) - COVER
 (1) - BASE
4. DIMENSIONS IN PARENTHESES ARE IN METRIC.



PANDUIT PART NUMBER	WEIGHT	MATERIAL
FFWC2X2**	0.61 LB/EACH (275g/EACH)	ABS
FFWC2X2L**	0.61 LB/EACH (275g/EACH)	PC/ABS

B

B

A

A

GLOBAL-ASIZE

03B	8/28/20	MEX-JAGC	DWR	DWR	ADDED PART NUMBER UPDATED DRAWING BORDER & TITLE BLOCK	V09002DZ/11
REV	DATE	BY	CHK	APR	DESCRIPTION	ECN

TITLE FIBER-DUCT 2x2 AND FIBERRUNNER 2x2 FOUR-WAY CROSS FITTING - (FFWC2X2**, FFWC2X2L**)					
CUSTOMER DRAWING					
ITEM REVISION NAME D35245BV/03			PANDUIT		
DATASET FILE NAME D35245BV_DC/03B					
DRAWING NUMBER: 35245-22			MATERIAL: SEE PART NUMBER TABLE ABOVE		
DRAWN BY PM		DATE 1/21/97	CHK CEF	SCALE NONE	THIRD ANGLE PROJECTION
SHT 1 OF 1			SIZE A		

2

1