

Panasonic

ideas for life

**FOR CELLULAR PHONE;
ULTRA LOW PROFILE TYPE
FOR PORTABLE EQUIPMENT
(0.5mm PITCH)**

**SYSTEM CONNECTORS ULTRA-LOW
PROFILE TYPE (AXR3)
I/O CONNECTORS FOR PORTABLE
EQUIPMENT (AXR5)**

I/O connectors for portable equipment
Receptacle
18, 22, 24 and 26 contacts



50 contacts



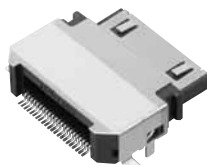
System connector ultra low profile type
Plug (cable connection type)
18, 22, 24 and 26 contacts



I/O connectors for portable equipment
Plug (cable connection type)
50 contacts



System connector ultra low profile type
Plug (Board mounting type)
22, 26 and 50 contacts



Customizable for several contacts.
Ask about details.

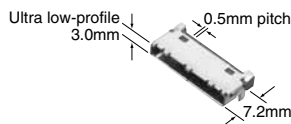
Compliance with RoHS Directive

FEATURES

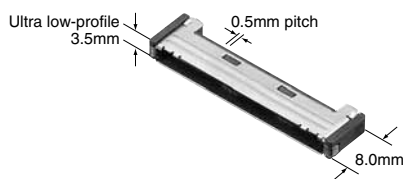
1. Compact receptacle helps to design lighter, slimmer, smaller devices.

I/O connector for portable equipment

- 18, 22, 24 and 26 contacts

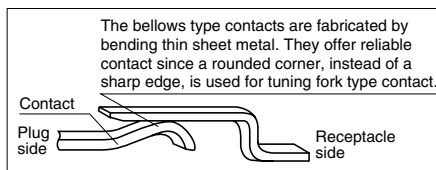


- 50 contacts



2. Bellows-type contacts

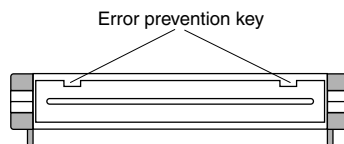
Our bellows-type contacts resist mating stress and offer high contact reliability.



3. Coaxial portion with switching function (1 Form B configuration) can be applied up to 2GHz.

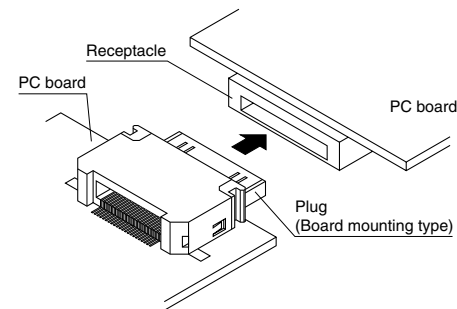
4. Connection of incorrect pairs is prevented by cross-manufacturer mating error prevention key.

By changing the location of the mating error prevention key, erroneous insertion of a different connector is prevented. This eliminates the chance of any problems that may be caused by mistaken connections. Please consult us for more information.



The key groove is different for every customer.

5. Plugs with 22, 26 and 50 contacts are also available in board mounting types. These are ideal for such applications as the connection between PDAs and data-communication cradles.



ORDERING INFORMATION

1. I/O connectors for portable equipment receptacle

AXR 5 1 P

5: I/O connectors for portable equipment

<Receptacle>
1: Receptacle

<No. of signal wire>
18: SIL 18 contacts
22: SIL 22 contacts
24: SIL 24 contacts
26: SIL 26 contacts
50: SIL 50 contacts

<Function>

	A type/B type	On board/ board cutting/ board mounting	Positioning boss
4	B type	On board	Not available
8	A type		

<Packing>
P: Embossed tape and paper reel × 2

2. System connectors ultra-low profile type plug

AXR 3 0 4

3: System connectors ultra-low profile type

<Plug>
0: Plug

<No. of signal wire>
2: SIL 18 contacts
3: SIL 22 contacts
4: SIL 24 contacts
5: SIL 26 contacts
6: SIL 50 contacts

<Applicable receptacle>

	On board/board cutting	No. of coaxial pin
4	On board	Without

<Function>

	Cable connection type/ Board mounting type	A type/B type	Shield
0	Cable connection type	A type	Available
1		B type	
3		A type	Not available
4		B type	
5	Board mounting type	A type	Available
A		B type	

<Packing>
Nil: Embossed tape and paper reel × 2
* Board mounting type only.

3. I/O connectors for portable equipment plug

AXR 5 2 5

5: I/O connectors for portable equipment

<Plug, A type/B type>
2: Plug A type

<No. of signal wire>
5: SIL 50 contacts

<Applicable cable dia.>
6: 5.5mm dia.
7: 6.2mm dia.

<Shield>
S: With shield

Note) Applicable for cable connection type 50 contacts

RECEPTACLE AND PLUG COMPATIBILITY TABLE

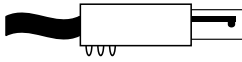
1. Signal terminals 18 to 50 contacts

1) Plug (Cable connection type)

• Plug



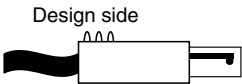
A type



Design side

- Corresponds to on board mounting type receptacle 50 contacts

B type

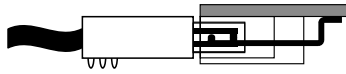


Design side

- Corresponds to on board mounting type receptacle 18, 22, 24 and 26 contacts

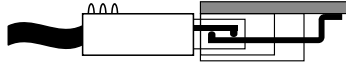
• Combination table

Plug (A type)-Receptacle (A type) are mated



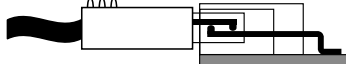
No. of signal terminals	On board/board cutting	Receptacle composite function	Part No. (Plug)	Part No. (Receptacle)
50 contacts	On board mounting type	Signal terminals only	AXR5256S AXR5257S	AXR51508P

Plug (B type)-Receptacle (A type) are mated



No. of signal terminals	On board/board cutting	Receptacle composite function	Part No. (Plug)	Part No. (Receptacle)
18 contacts	On board mounting type	Signal terminals only	AXR30244	AXR51188P
22 contacts		Signal terminals only	AXR30341 AXR30344	AXR51228P
24 contacts		Signal terminals only	AXR30444	AXR51248P
26 contacts		Signal terminals only	AXR30541	AXR51268P

Plug (B type)-Receptacle (B type) are mated



No. of signal terminals	On board/board cutting	Receptacle composite function	Part No. (Plug)	Part No. (Receptacle)
22 contacts	On board mounting type	Signal terminals only	AXR30341 AXR30344	AXR51224P

• Receptacle



A type



- On board mounting type 18, 24, 26 and 50 contacts

B type



- On board mounting type 22 contacts

Plug (Board mounting type)

• Plug



A type



- Corresponds to on board mounting type receptacle 22 contacts

B type



- Corresponds to on board mounting type receptacle 22, 26 and 50 contacts

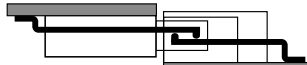
• Combination table

Plug (A type)-Receptacle (A type) are mated



No. of signal terminals	On board/board cutting	Receptacle composite function	Part No. (Plug)	Part No. (Receptacle)
22 contacts	On board mounting type	Signal terminals only	AXR3034A	AXR51228P

Plug (A type)-Receptacle (B type) are mated



No. of signal terminals	On board/board cutting	Receptacle composite function	Part No. (Plug)	Part No. (Receptacle)
22 contacts	On board mounting type	Signal terminals only	AXR3034A	AXR51224P

Plug (B type)-Receptacle (A type) are mated



No. of signal terminals	On board/board cutting	Receptacle composite function	Part No. (Plug)	Part No. (Receptacle)
26 contacts	On board mounting type	Signal terminals only	AXR30545	AXR51268P
50 contacts			AXR30645	AXR51508P

Plug (B type)-Receptacle (B type) are mated

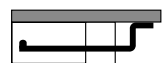


No. of signal terminals	On board/board cutting	Receptacle composite function	Part No. (Plug)	Part No. (Receptacle)
22 contacts	On board mounting type	Signal terminals only	AXR30345	AXR51224P

• Receptacle



A type



- On board mounting type 22, 26 and 50 contacts

B type



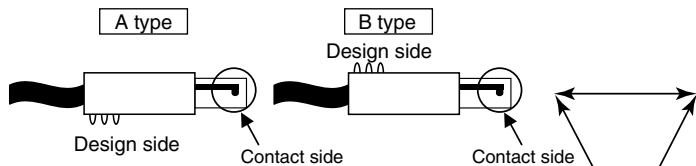
- On board mounting type 22 contacts

3. Information about A and B types

• Plug

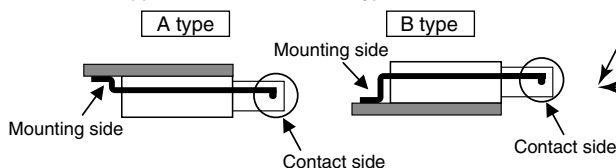
1) Cable connection type

- When the contact side and design side,
- face in the same direction it is A Type
 - face in opposite directions it is B Type



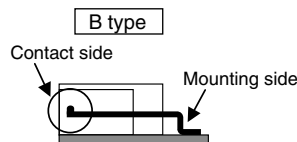
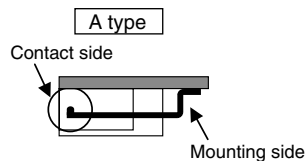
2) Board mounting type

- When the contact side and mounting side,
- face in the same direction it is A Type
 - face in opposite directions it is B Type



• Receptacle

- When the contact side and mounting side,
- face face in opposite directions it is A Type
 - face the in the same direction it is B Type



PRODUCT TYPES

1. Receptacle

No. of signal terminals	Type	No. of coaxial	No. of battery terminal	Part No.	Packing quantity	
					Inner carton (1 reel)	Outer carton
18 contacts	On board mounting type (A type)	None	None	AXR51188P	1,000 pcs.	2,000 pcs.
22 contacts	On board mounting type (A type)	None	None	AXR51228P	1,000 pcs.	2,000 pcs.
	On board mounting type (B type)	None	None	AXR51224P	1,000 pcs.	2,000 pcs.
24 contacts	On board mounting type (A type)	None	None	AXR51248P	1,000 pcs.	2,000 pcs.
26 contacts	On board mounting type (A type)	None	None	AXR51268P	1,000 pcs.	2,000 pcs.
50 contacts	On board mounting type (A type)	None	None	AXR51508P	750 pcs.	1,500 pcs.

Note) For cellular phones and other applications where problems of insertion into the wrong device is possible, the location of the key will be changed for each order. An order number will be set for each separate order.

2. Plug (Cable connection type)

No. of signal terminals	Applicable receptacle	Type	EMI immunity	Part No.	Packing quantity	
					Inner carton	Outer carton
18 contacts	On board mounting type	B type	Not available	AXR30244	-	600 pcs.
22 contacts	On board mounting type	B type	Available	AXR30341	-	600 pcs.
			Not available	AXR30344	-	600 pcs.
24 contacts	On board mounting type	B type	Not available	AXR30444	-	600 pcs.
26 contacts	On board mounting type	B type	Available	AXR30541	-	600 pcs.
50 contacts	On board mounting type	A type	Available	AXR5256S (for 5.5 dia. cable)	-	200 pcs.
	On board mounting type	A type	Available	AXR5257S (for 6.2 dia. cable)	-	200 pcs.

Note) For cellular phones and other applications where problems of insertion into the wrong device is possible, the location of the key will be changed for each order. An order number will be set for each separate order.

3. Plug (PC board mounting type)

No. of signal terminals	Type	EMI countermeasure	Part No.	Packing quantity	
				Inner carton	Outer carton
22 contacts	On board mounting type (A type)	Available	AXR3034A	500 pcs.	1,000 pcs.
	On board mounting type (B type)	Available	AXR30345	500 pcs.	1,000 pcs.
26 contacts	On board mounting type (B type)	Available	AXR30545	500 pcs.	1,000 pcs.
50 contacts	On board mounting type (B type)	Available	AXR30645	500 pcs.	1,000 pcs.

SPECIFICATIONS

1. Characteristics

1) Receptacle–Plug (cable connection type)

Item			Specifications			Condition
			18 , 22, 24 contacts	26 contacts	50 contacts	
Electrical characteristics	Rated Current	Signal contact	0.5 A (1 A can be passed through two terminals connected in series) (Total for all terminals is max. 10 A.)			—
		Battery contact	2 A	—	—	Characteristic of receptacle alone.
	Contact resistance	Signal contact	Max. 110mΩ (Initial)			Measured based on the milliohmmeter measurement method of JIS C 5402, except for the resistance of the cord on the plug side.
		Battery contact	Max. 50mΩ (Initial)	—	—	
	Insulation resistance		Min. 1,000MΩ (Initial)			Using 500V DC megger (applied for 1 min.)
	Breakdown voltage		150V AC for 1 min.			Rated voltage is applied for one minute and check for short circuit or damage with a detection current of 1 mA.
Mechanical characteristics	Lever lock strength		Min. 49N {5kgf}			The plug is pulled off with the connectors mated.
Lifetime characteristics	Insertion and removal life of plug and receptacle		Mechanical life: 10,000 times Contact resistance after testing: Max. 110mΩ	Mechanical life: 5,000 times (mechanical insertion and removal) Contact resistance after testing: Max. 110mΩ	The connectors are connected and disconnected at a rate of 200 times/hour or less.	
Environmental characteristics	Ambient temperature		−35°C to +65°C			No freezing or condensation in low temperatures
	Storage temperature		−40°C to +70°C (The allowable storage temperature is −40°C to +50°C if unopened from original packaging)			No freezing or condensation in low temperatures
	Resistance to soldering heat	Receptacle	Reflow soldering: peak temperature 245°C or less			Surface temperature (shell) from infrared reflow soldering machine
Plug		Hand soldering: Soldering iron temperature 300°C, 5 sec. or less			—	
Unit weight		Receptacle (AXR35371P) 22 contacts: 0.86 g Plug (AXR30341) 22 contacts: 6.18 g		Receptacle (AXR51508P) 50 contacts: 1.42 g Plug (AXR5256S) 50 contacts: 11.1 g	—	

2) Receptacle–Plug (Board mounting type)

Item			Specifications		Condition
			22, 26, 50 contacts		
Electrical characteristics	Rated current	Signal contact	0.5 A (7 A can be passed through all terminals connected) (The total for 50 terminals is max. 10 A.)		—
	Contact resistance	Signal contact	22 contacts (A type) Max. 110 mΩ (Initial) 22 contacts (B type) Max. 140 mΩ (Initial) 26 contacts (B type) Max. 110 mΩ (Initial) 50 contacts (B type) Max. 110 mΩ (Initial)		Measured based on the milliohmmeter measurement method of JIS C 5402
	Insulation resistance		Min. 1,000MΩ (Initial)		Using 500V DC megger (applied for 1 min.)
	Breakdown voltage		150 V AC for 1 min.		Rated voltage is applied for one minute and check for short circuit or damage with a detection current of 1 mA.
Lifetime characteristics	Insertion and removal life of plug and receptacle		Mechanical life: 5,000 times Contact resistance after testing: Max. 110 mΩ (Contact resistance after testing satisfies initial value.)		The connectors are connected and disconnected at a rate of 200 times/hour or less.
Environmental characteristics	Ambient temperature		−35°C to +65°C		No freezing or condensation in low temperatures
	Storage temperature		−40°C to +70°C (The allowable storage temperature is −40°C to +50°C if unopened from original packaging)		No freezing or condensation in low temperatures
	Resistance to soldering heat	Plug	Reflow soldering: peak temperature 245°C or less		Surface temperature (shell) from infrared reflow soldering machine
Unit weight		22 contacts (A type): 1.43 g, 22 contacts (B type): 1.53 g, 26 contacts (B type): 1.48 g, 50 contacts (B type): 2.30 g		—	—

Note) Refer to above table for the characteristics of the receptacle.

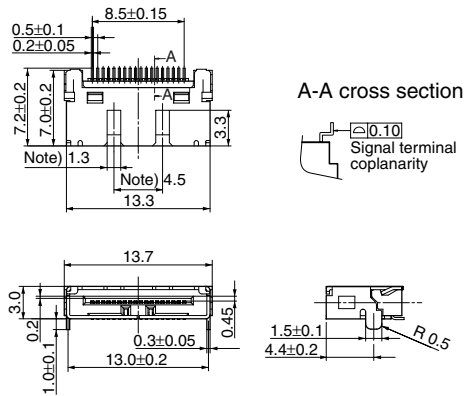
2. Material and surface treatment

	Portion	Material	Surface
Receptacle	Resin-molding portion	Heat resistant resin (UL94V-0)	—
	Shell	Stainless steel	Cu plating base, Sn plating on surface
	Post	Copper alloy	Contact portion: Ni plating on base, PdNi + Au flash plating on surface Terminal portion: Ni plating on base, Au plating on surface (except for end of the terminal)
	Battery contact	Copper alloy	Contact portion: Ni plating on base, Au plating on surface Terminal portion: Ni plating on base, Au plating on surface (except for end of the terminal)
Plug (cable connection type)	Resin-molding portion	Heat resistant resin (UL94V-0) Only bushing is polyurethane resin (UL94HB)	—
	Shell	Stainless steel	—
	Contact	Copper alloy	Contact portion: Ni plating on base, PdNi + Au flash plating on surface Signal wire soldering portion: Ni plating on base, Au plating on surface
	Tapping screw	Carbon steel	Rust proofed
	Insulation plate	Phenolic resin or PBT	—
Plug (Board mounting type)	Resin-molding portion	Heat resistant resin (UL94V-0)	—
	Shell	Stainless steel	Cu plating base, Sn plating on surface
	Contact	Copper alloy	Contact portion: Ni plating on base, PdNi + Au flash plating on surface Terminal portion: Ni plating on base, Au plating on surface (except for end of the terminal)

DIMENSIONS (Unit: mm) The CAD data of the products with a **CAD Data** mark can be downloaded from: <http://panasonic-electric-works.net/ac>

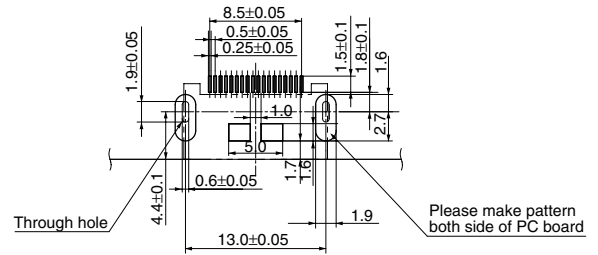
1. Signal terminals 18 contacts/On board mounting type

- Receptacle (A type)
AXR51188P



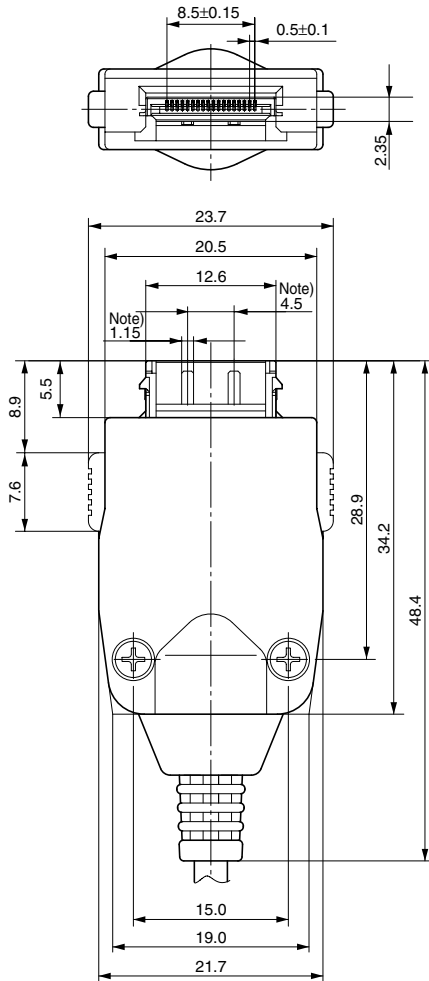
General tolerance: ±0.3

Recommended PC board pattern (TOP VIEW)

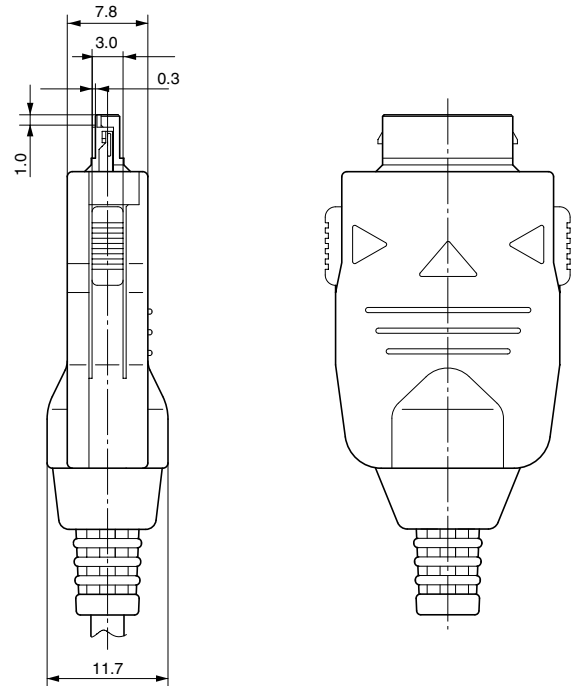


- Notes) 1. The position of the cross-manufacturer mating error prevention key, if requested, can be set for each user when the detailed specifications are being decided.
2. Since product bottom is a metal shell, do not make pattern circuits (to prevent shorting).

- Plug (cable connection type) (B type)
(assembled condition)
AXR30244

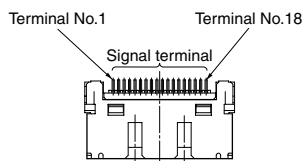


- Note) The position of the cross-manufacturer mating error prevention key, if requested, can be set for each user when the detailed specifications are being decided.



General tolerance: ±0.3

No. of signal terminal (A type)

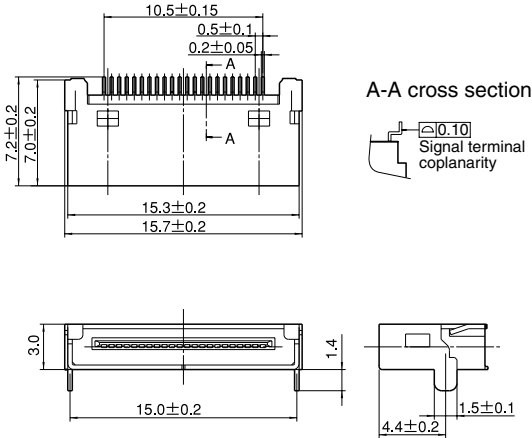


2. Signal terminals 22 contacts/On board mounting type

• Receptacle (A type)

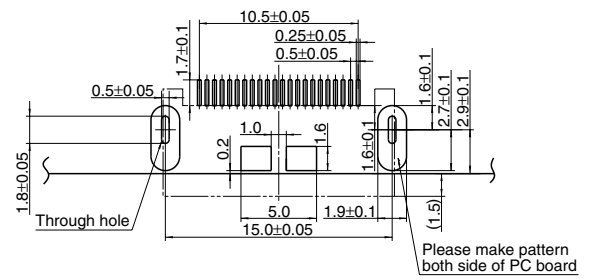
AXR51228P

CAD Data



General tolerance: ± 0.3

Recommended PC board pattern (TOP VIEW)

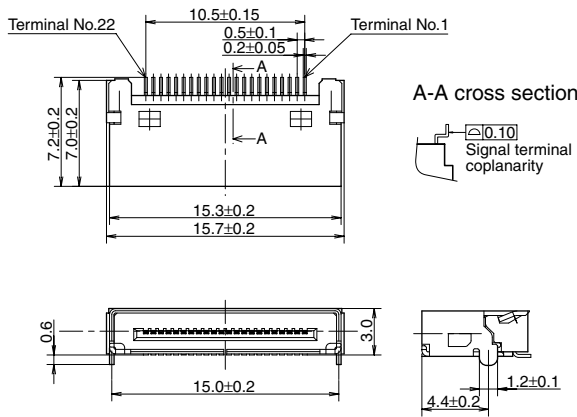


- Notes) 1. The position of the cross-manufacturer mating error prevention key, if requested, can be set for each user when the detailed specifications are being decided.
2. Since product bottom is a metal shell, do not make pattern circuits (to prevent shorting).

• Receptacle (B type)

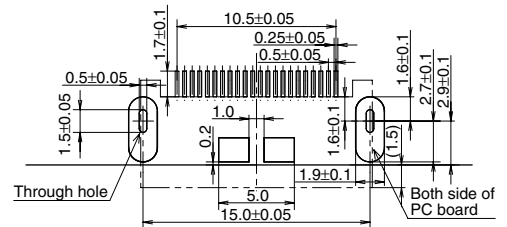
AXR51224P

CAD Data



General tolerance: ± 0.3

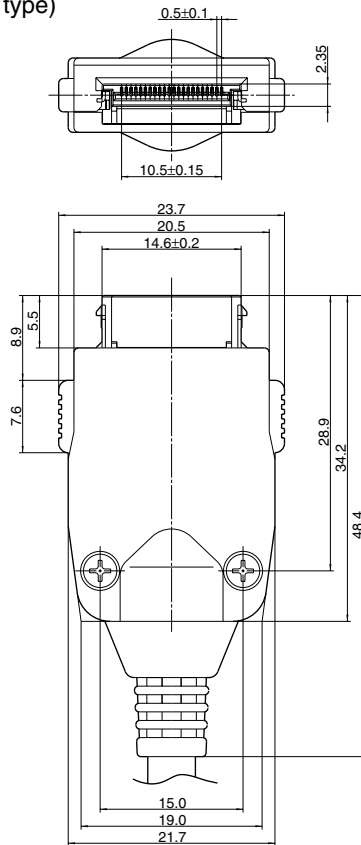
Recommended PC board pattern (TOP VIEW)



- Notes) 1. The position of the cross-manufacturer mating error prevention key, if requested, can be set for each user when the detailed specifications are being decided.
2. Since product bottom is a metal shell, do not make pattern circuits (to prevent shorting).

- Plug (cable connection type) (B type)
(assembled condition)
AXR30341
AXR30343

CAD Data

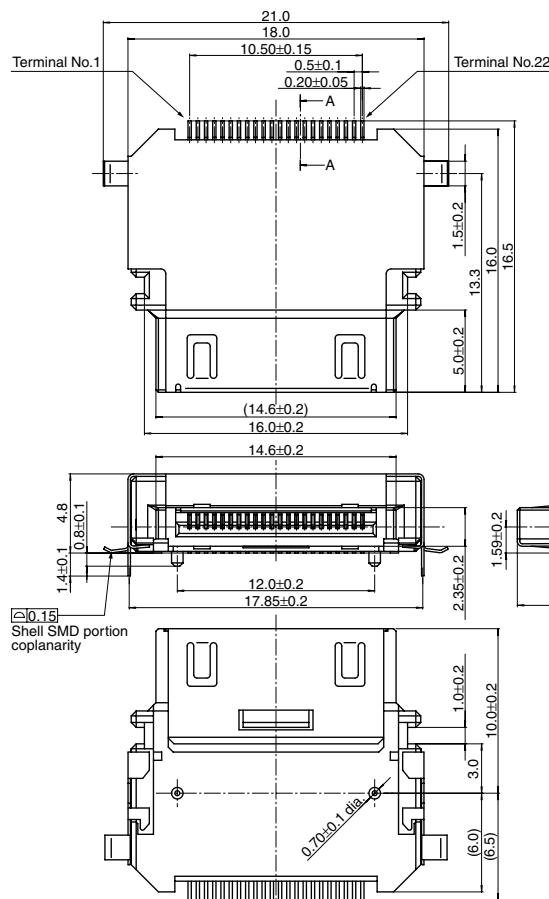
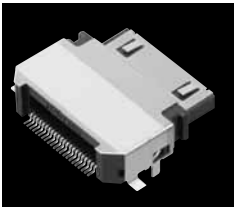


- Notes 1. The drawing shows AXR30344. (External dimensions are the same also for AXR30341.)
2. The position of the cross-manufacturer mating error prevention key, if requested, can be set for each user when the detailed specifications are being decided.

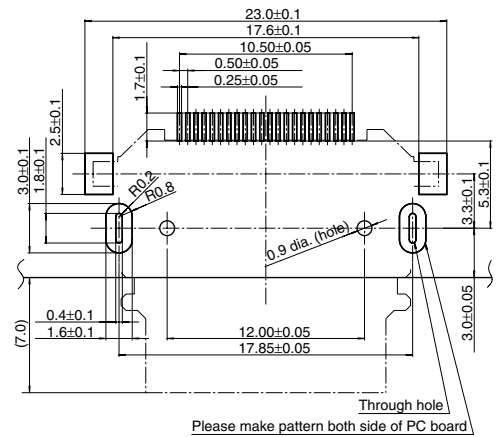
General tolerance: ± 0.3

- Plug (Board mounting type) (B type)
AXR30345

CAD Data

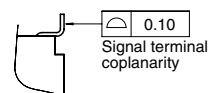


Recommended PC board pattern (TOP VIEW)



Note) This product is not compatible with mismatch prevention keys.

A-A cross section



General tolerance: ± 0.3

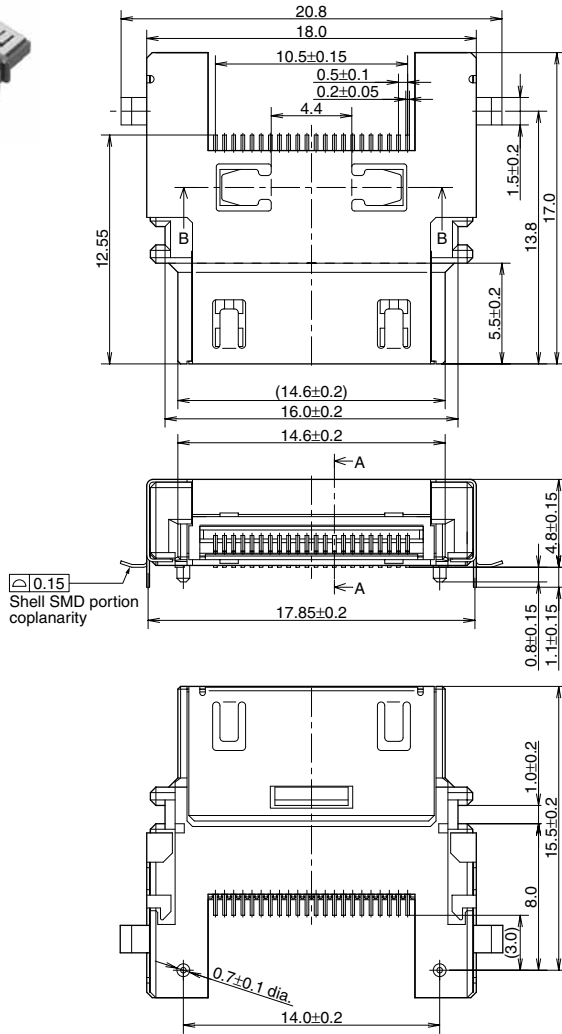
AXR(3/5)

STOP Order Discontinued as of September 30, 2009

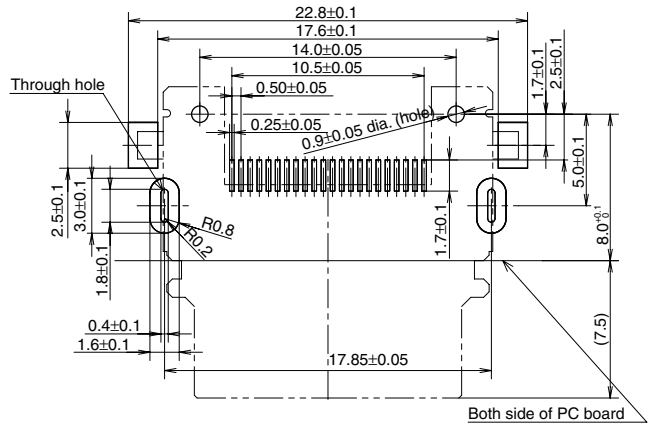
- Plug (Board mounting type) (A type)
AXR3034A

mm General tolerance: ± 0.3

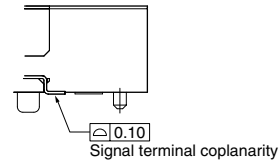
CAD Data



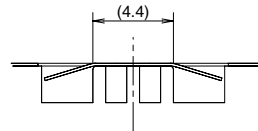
Recommended PC board pattern (TOP VIEW)



A-A cross section



B-B cross section

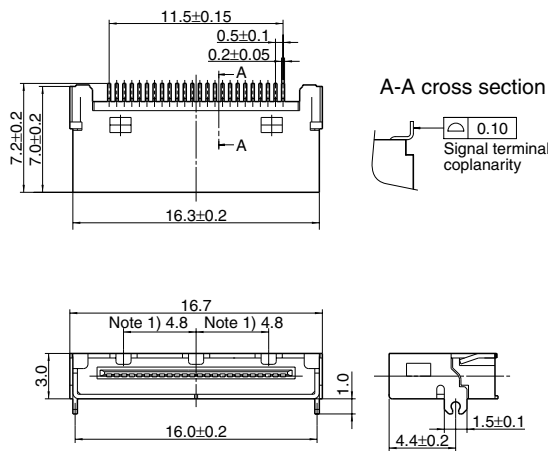


3. Signal terminals 24 contacts/On board mounting type

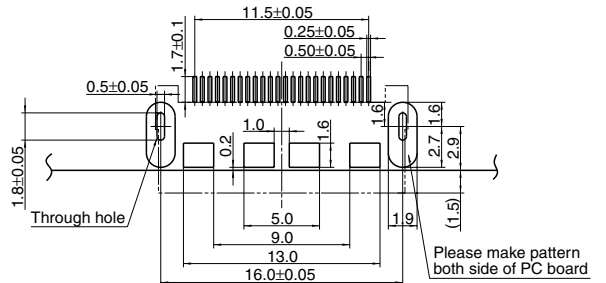
mm General tolerance: ± 0.3

- Receptacle (A type)
AXR51248P

CAD Data



Recommended PC board pattern (TOP VIEW)

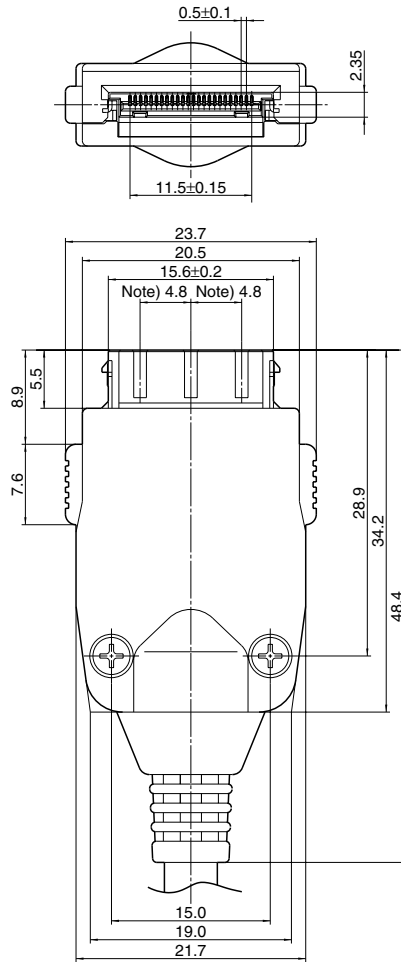


- Notes) 1. The position of the cross-manufacturer mating error prevention key, if requested, can be set for each user when the detailed specifications are being decided.
2. Since product bottom is a metal shell, do not make pattern circuits (to prevent shorting).

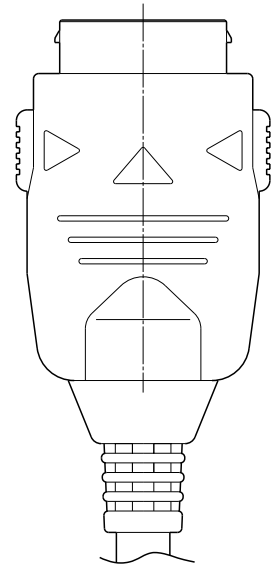
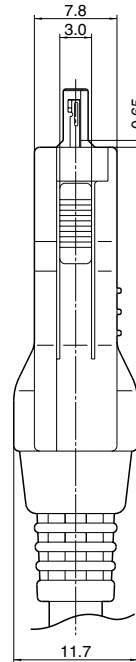
(#) The dimensions for the improper connection prevention key are set by the customer.

- Plug (cable connection type) (B type)
(assembled condition)
AXR30444

CAD Data



Note) The position of the cross-manufacturer mating error prevention key, if requested, can be set for each user when the detailed specifications are being decided.



AXR(3/5)

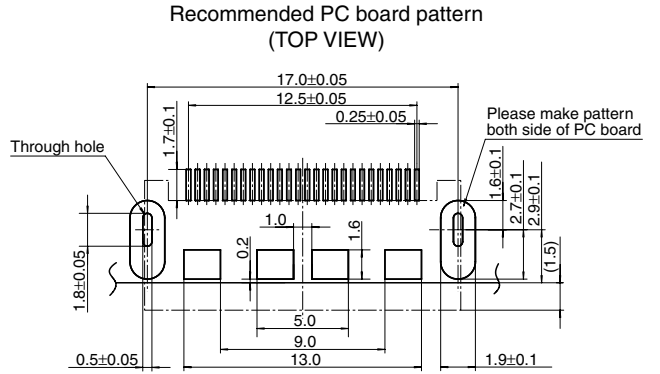
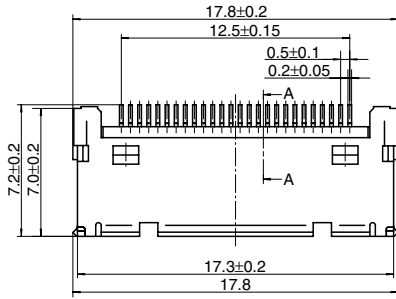
STOP Order Discontinued as of September 30, 2009

4. Signal terminals 26 contacts/On board mounting type

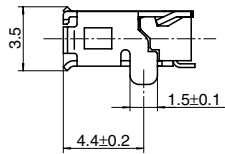
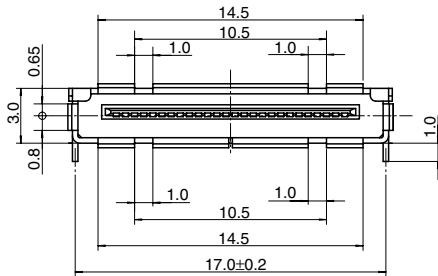
mm General tolerance: ± 0.3

- Receptacle (A type)
AXR51268P

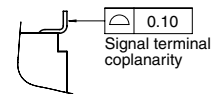
CAD Data



Note) Since product bottom is a metal shell, do not make pattern circuits (to prevent shorting).



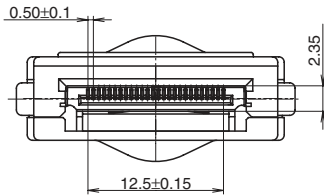
A-A cross section



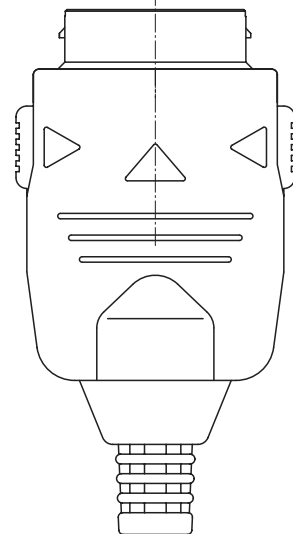
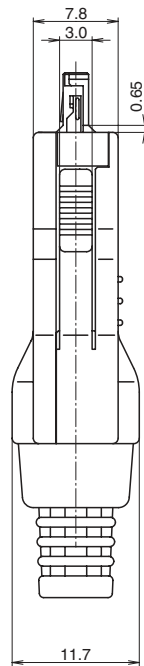
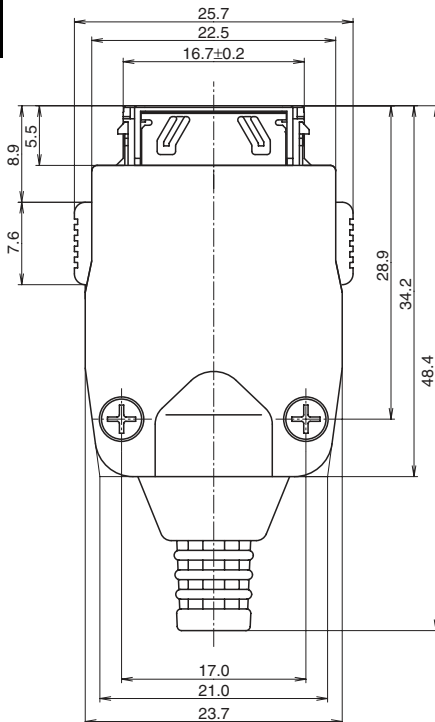
- Plug (cable connection type) (B type)
(assembled condition)
AXR30541

mm General tolerance: ± 0.3

CAD Data



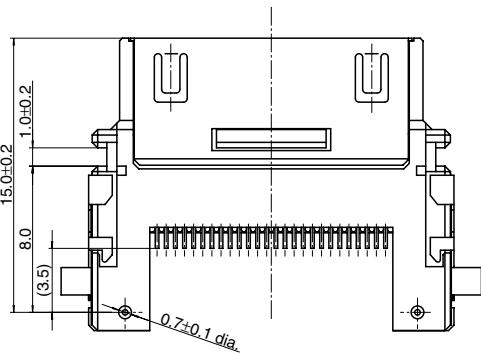
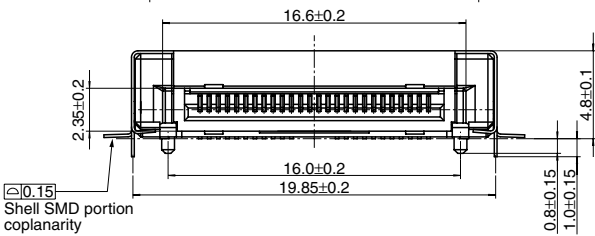
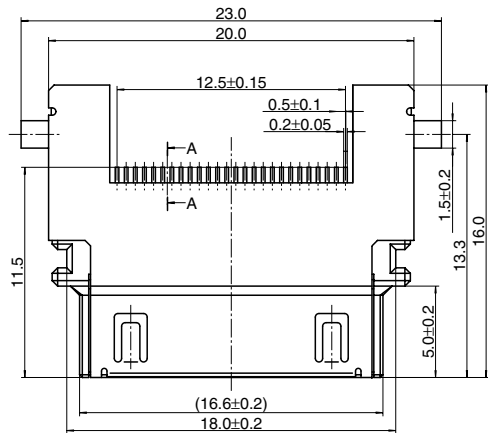
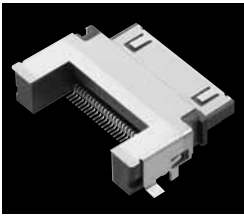
Note) This product is not compatible with mismatch prevention keys.



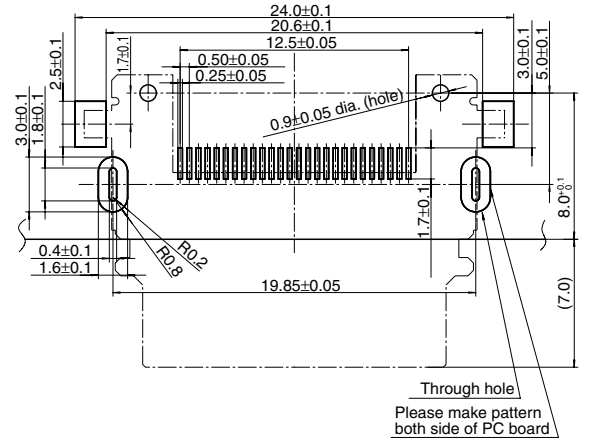
• Plug (Board mounting type) (B type)
AXR30545

mm General tolerance: ± 0.3

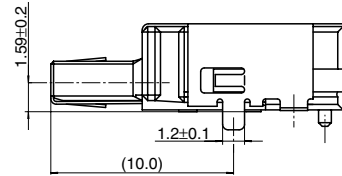
CAD Data



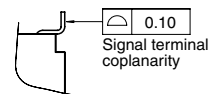
Recommended PC board pattern (TOP VIEW)



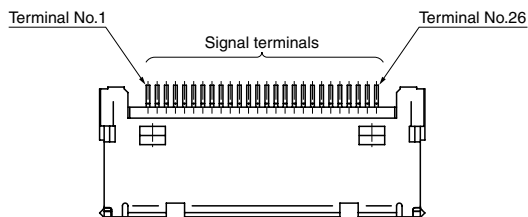
Note) This product is not compatible with mismatch prevention keys.



A-A cross section



No. of signal terminal (A type)

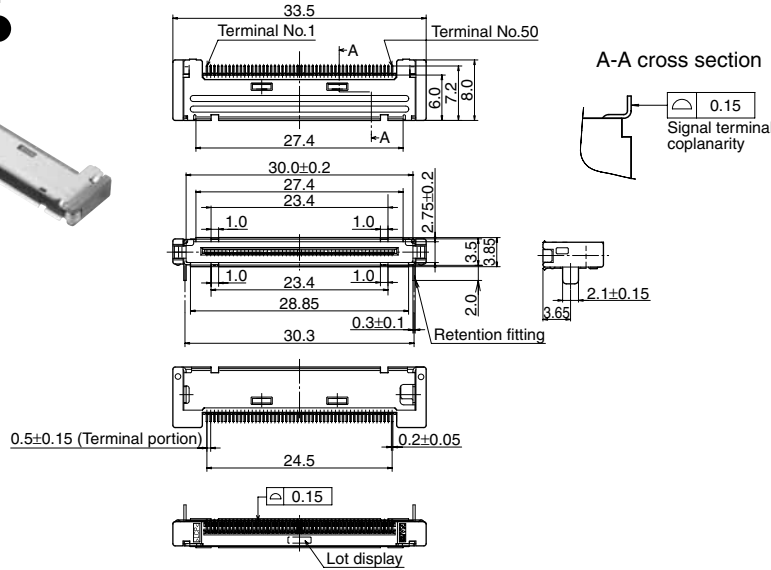


5. Signal terminals 50 contacts/On board mounting type

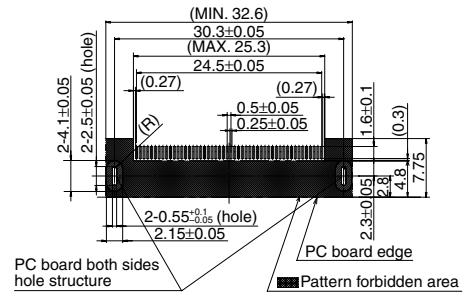
mm General tolerance: ± 0.3

- Receptacle (A type)
AXR51508P

CAD Data



Recommended PC board pattern (TOP VIEW)



Notes)

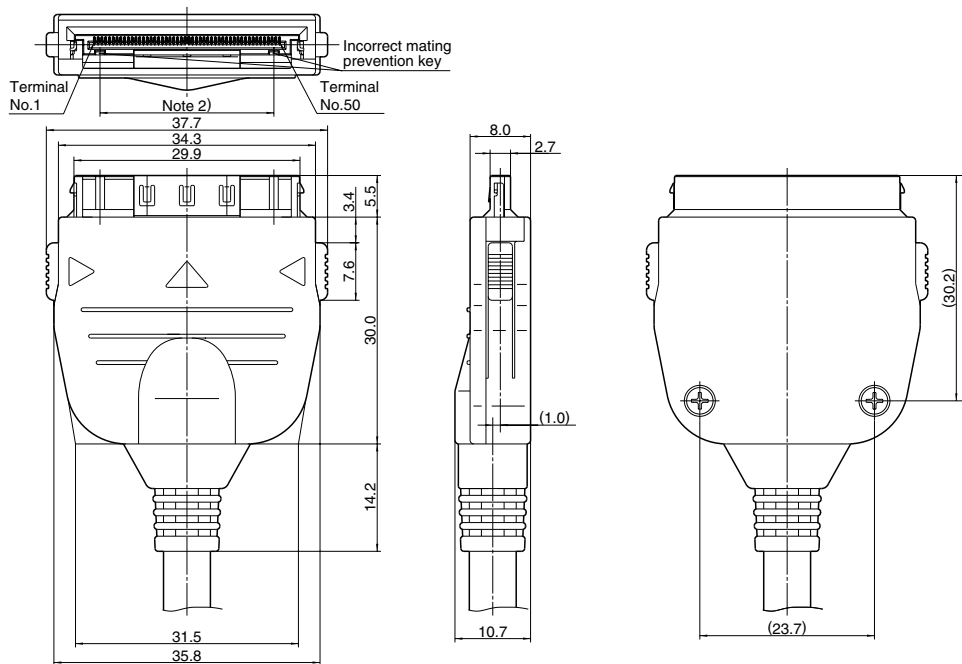
1. The values in parenthesis are reference dimensions.
2. To reinforce the shell portion of the receptacle, have the shell guided by the casing in some way. The gap between the device casing and receptacle should be constructed to be very small, for example, under 0.1 mm.
3. The dimensions of the cross-manufacturer mating error prevention key, if requested, can be set for each user.

- Plug (cable connection type) (A type)
(assembled condition)

mm General tolerance: ± 0.3

AXR5256S
AXR5257S

CAD Data

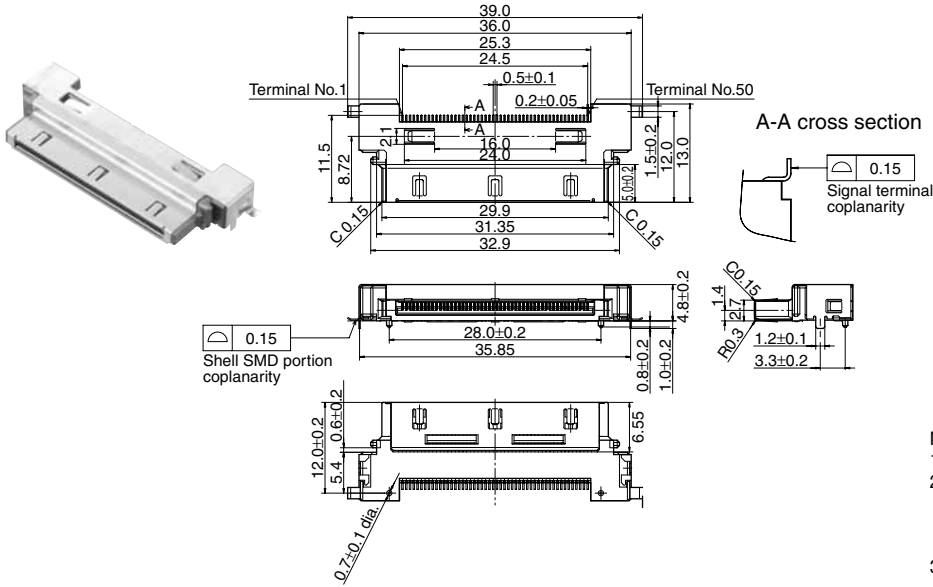


Notes)

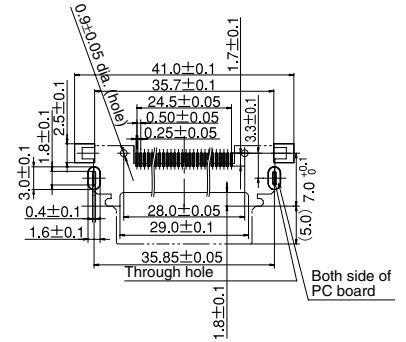
1. The values in parenthesis are reference dimensions.
2. The dimensions of the cross-manufacturer mating error prevention key, if requested, can be set for each user.

• Plug (Board mounting type)
AXR30645

mm General tolerance: ± 0.3



Recommended PC board pattern
(TOP VIEW)



Notes)

1. The values in parenthesis are reference dimensions.
2. To reinforce the shell portion of the receptacle, have the shell guided by the casing in some way. The gap between the device casing and receptacle should be constructed to be very small, for example, under 0.1 mm.
3. The dimensions of the cross-manufacturer mating error prevention key, if requested, can be set for each user.

APPLICATIONS

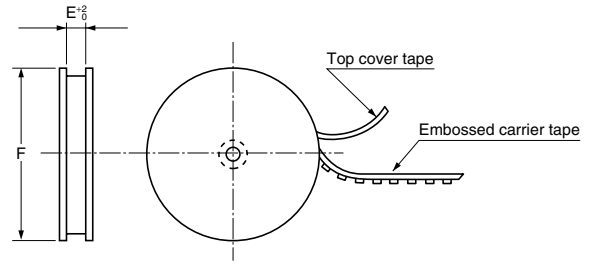
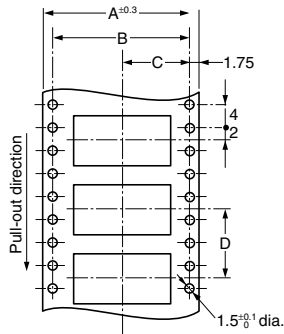
Products can be made to match your applications, so please contact us if necessary.
A type products (18, 22 and 26 contacts)
B type products (50 contacts)



AXR(3/5)

EMBOSSED TAPE DIMENSIONS (unit: mm)

- Tape dimensions (Conforming to JIS C 0806, 1995. However, some tapes have mounting hole pitches that do not comply with the standard.)
- Reel dimensions (Conforming to JIS C 0806, 1995)



1. Receptacle

	A	B	C	D	E	F	Quantity per reel
I/O connector for portable equipment 18, 22, 24 and 26 contacts	32.0	28.4	14.2	16.0	32.4	370 dia.	1,000
I/O connector for portable equipment 50 contacts	44.0	40.4	20.2	16.0	44.4	370 dia.	750

2. Plug (PC board mounting type)

	A	B	C	D	E	F	Quantity per reel
22 and 26 contacts	44.0	40.4	20.2	24.0	44.4	370 dia.	500
50 contacts	56.0	52.4	26.2	24.0	56.4	370 dia.	500

- Connector orientation with respect to direction of progress of embossed tape

Direction of tape progress	Type	I/O connector for portable equipment Receptacle	Plug (Board mounting type)
↓			

For other details, please verify with the product specification sheets.