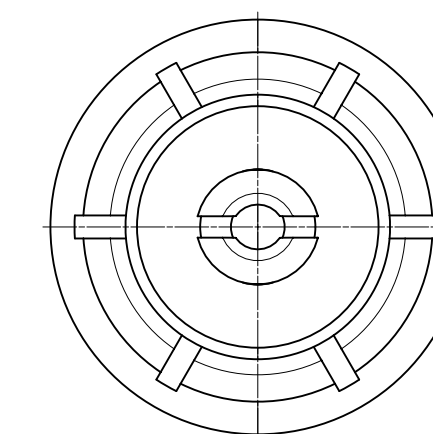
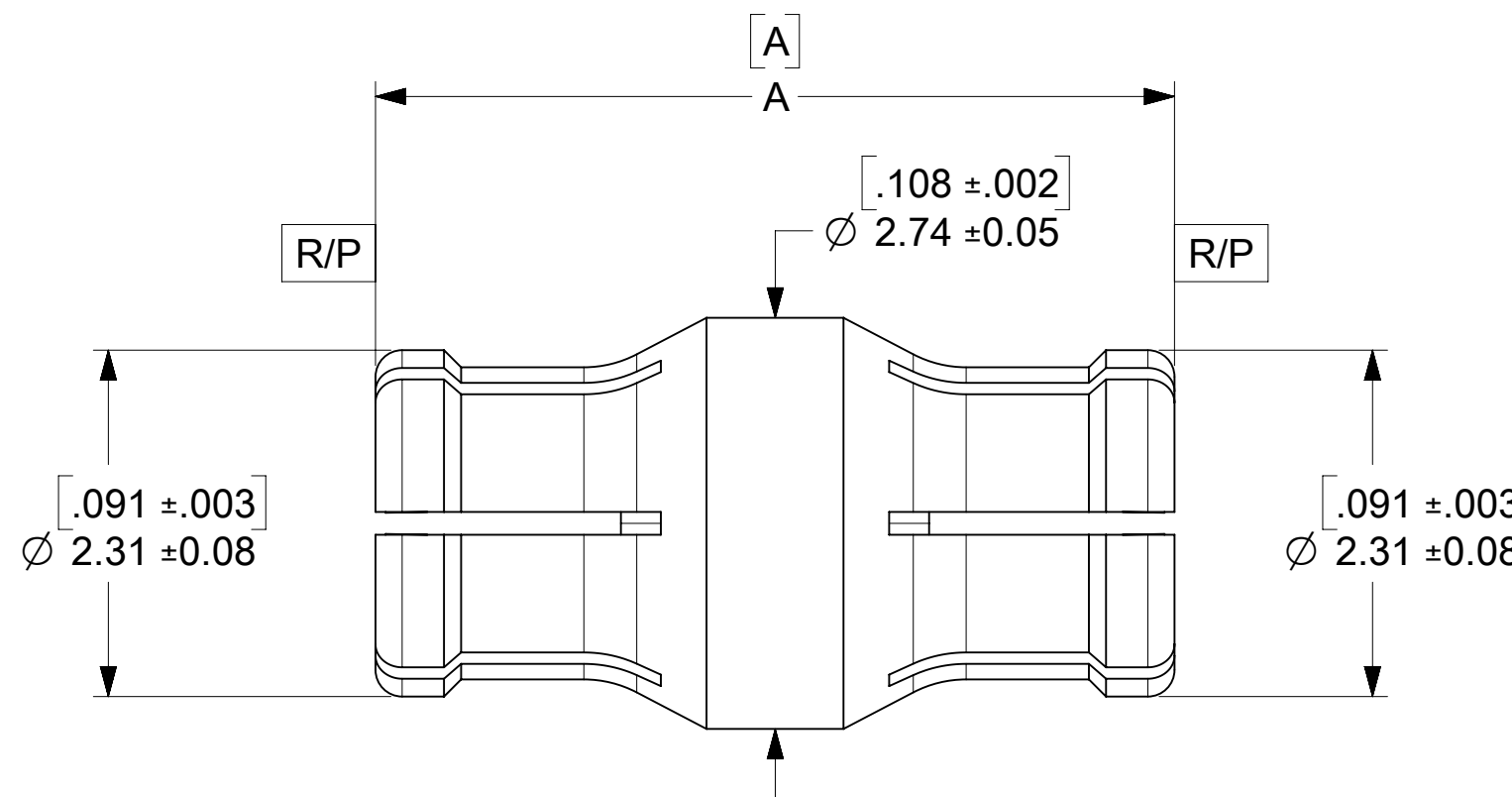
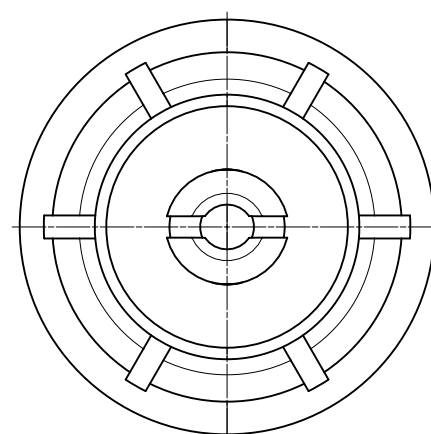
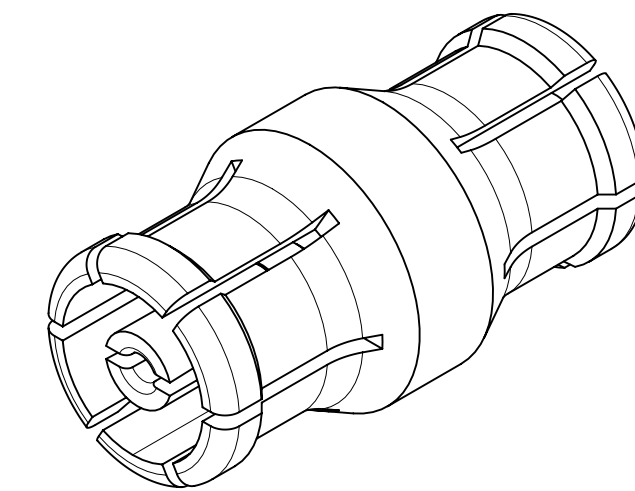


MATERIALS AND FINISHES:

BODY: BERYLLIUM COPPER
 PLATED GOLD PER MIL-G-45204 TYPE II, GRADE C, CLASS 1 (50µ-in MIN)
 OVER NICKEL (50µ-in MIN)

INSULATOR: PTFE

CONTACT: BERYLLIUM COPPER
 PLATED GOLD PER MIL-G-45204 TYPE II, GRADE C, CLASS 1 (50µ-in MIN)
 OVER NICKEL 50 MICRO-IN MIN



VSWR (TYP):
 1.15 TO 18 GHz
 1.25 TO 40 GHz
 1.35 TO 65 GHz

PS-89675-3730	PRODUCT SPECIFICATION
MIL-STD-348B, FIG.79	INTERFACE SMPM SOCKET
SPECIFICATION	DESCRIPTION

73300-0235	73300-0223	ONE PER BAG
73300-0234	73300-0220	
73300-0233	.2090±.0010 / 5.309±0.025	TRAY
73300-0232	.4680±.0016 / 11.887±0.038	
73300-0231	.1860±.0016 / 4.724±0.038	
73300-0230	.9060±.0016 / 23.012±0.038	
73300-0229	.5240±.0016 / 13.310±0.038	
73300-0228	.1970±.0016 / 5.004±0.038	
73300-0227	.3340±.0016 / 8.484±0.038	
73300-0226	.7500±.0016 / 19.050±0.038	
73300-0225	.5000±.0016 / 12.700±0.038	
73300-0224	.3490±.0016 / 8.865±0.038	
73300-0223	.3270±.0016 / 8.306±0.038	PACKAGING
73300-0222	.2780±.0016 / 7.061±0.038	
73300-0221	.2600±.0016 / 6.604±0.038	
73300-0220	.2100±.0016 / 5.334±0.038	
PART NO.	IN / MM DIM A	

LABEL WITH EACH BAG
 FOR 73300-0234

MOLEX P/N: 73300-0234
 DATE: YYWW

LABEL WITH EACH BAG
 FOR 73300-0235

MOLEX P/N: 73300-0235
 DATE: YYWW

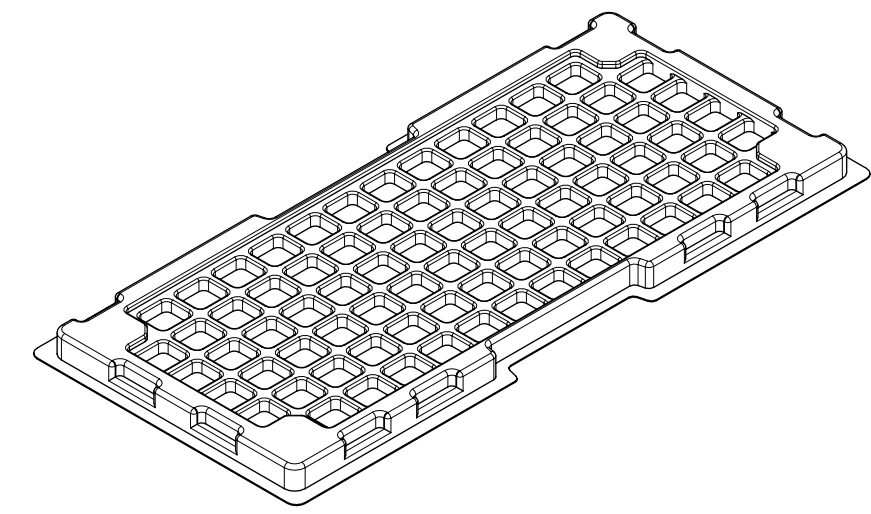
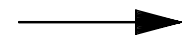
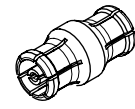
THIS DRAWING CONTAINS INFORMATION THAT IS PROPRIETARY TO MOLEX ELECTRONIC TECHNOLOGIES, LLC AND SHOULD NOT BE USED WITHOUT WRITTEN PERMISSION									
DIMENSION UNITS	SCALE	CURRENT REV DESC: USE ADAPTER INSTEAD OF BULLET PER EWR #12150-B							
INCH/MM	NTS								
GENERAL TOLERANCES (UNLESS SPECIFIED)		EC NO: 708608			SMPM JACK/JACK ADAPTER 50 OHM SMPM-J/J, EWR-12150				
ANGULAR TOL	± °								
4 PLACES	±	DRWN: RYEH 2022/05/30			PRODUCT CUSTOMER DRAWING				
3 PLACES	±	CHK'D: YCHENG 2022/05/31							
2 PLACES	± 0.25	APPR: YCHENG 2022/05/31			DOCUMENT NUMBER SD-73300-022				
1 PLACE	±	INITIAL REVISION:							
0 PLACES	±	DRWN: JWIENER 2013/05/10			DOC TYPE		DOC PART		REVISION
DRAFT WHERE APPLICABLE MUST REMAIN WITHIN DIMENSIONS		THIRD ANGLE PROJECTION		DRAWING	SERIES	MATERIAL NUMBER	CUSTOMER	SHEET NUMBER	
				C-SIZE	73300	SEE TABLE		1 OF 4	

DOCUMENT STATUS	P1	RELEASE DATE	2022/05/31	07:22:57
-----------------	----	--------------	------------	----------

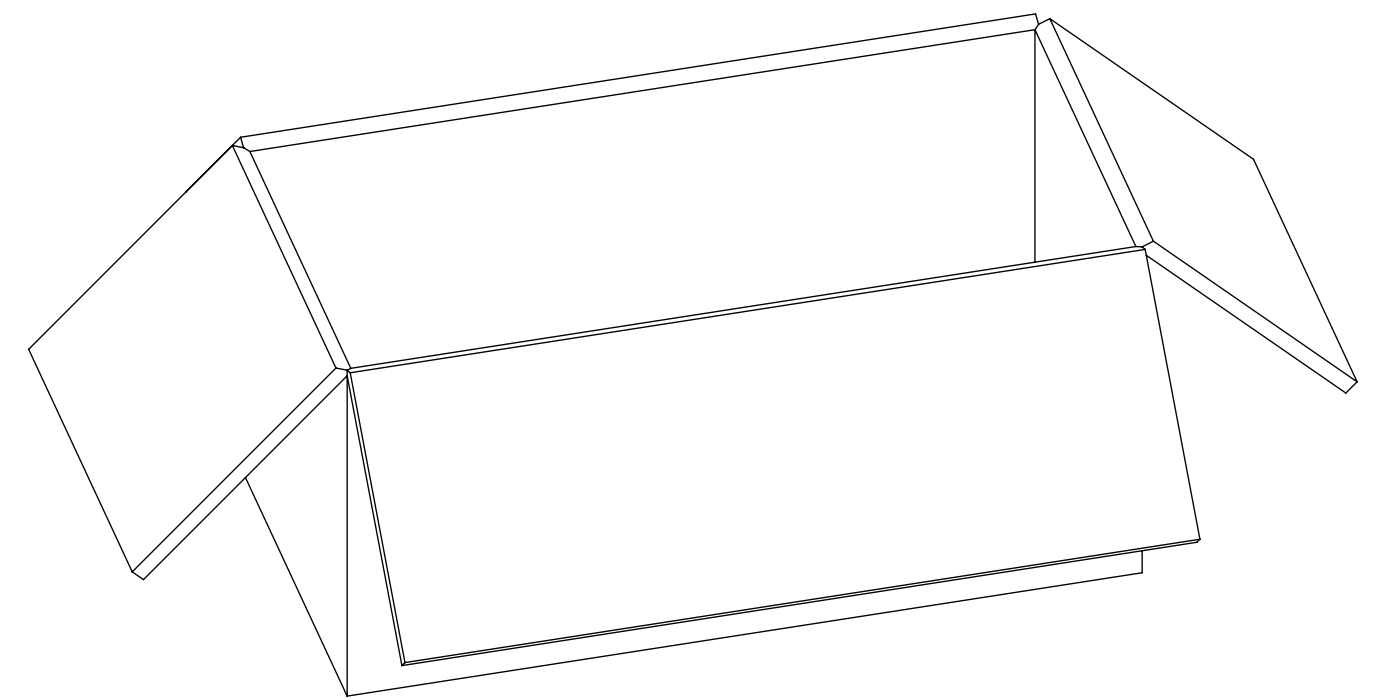
P/N: 73300-0220
 73300-0221
 73300-0222
 73300-0223
 73300-0224
 73300-0225

73300-0227
 73300-0228
 73300-0229

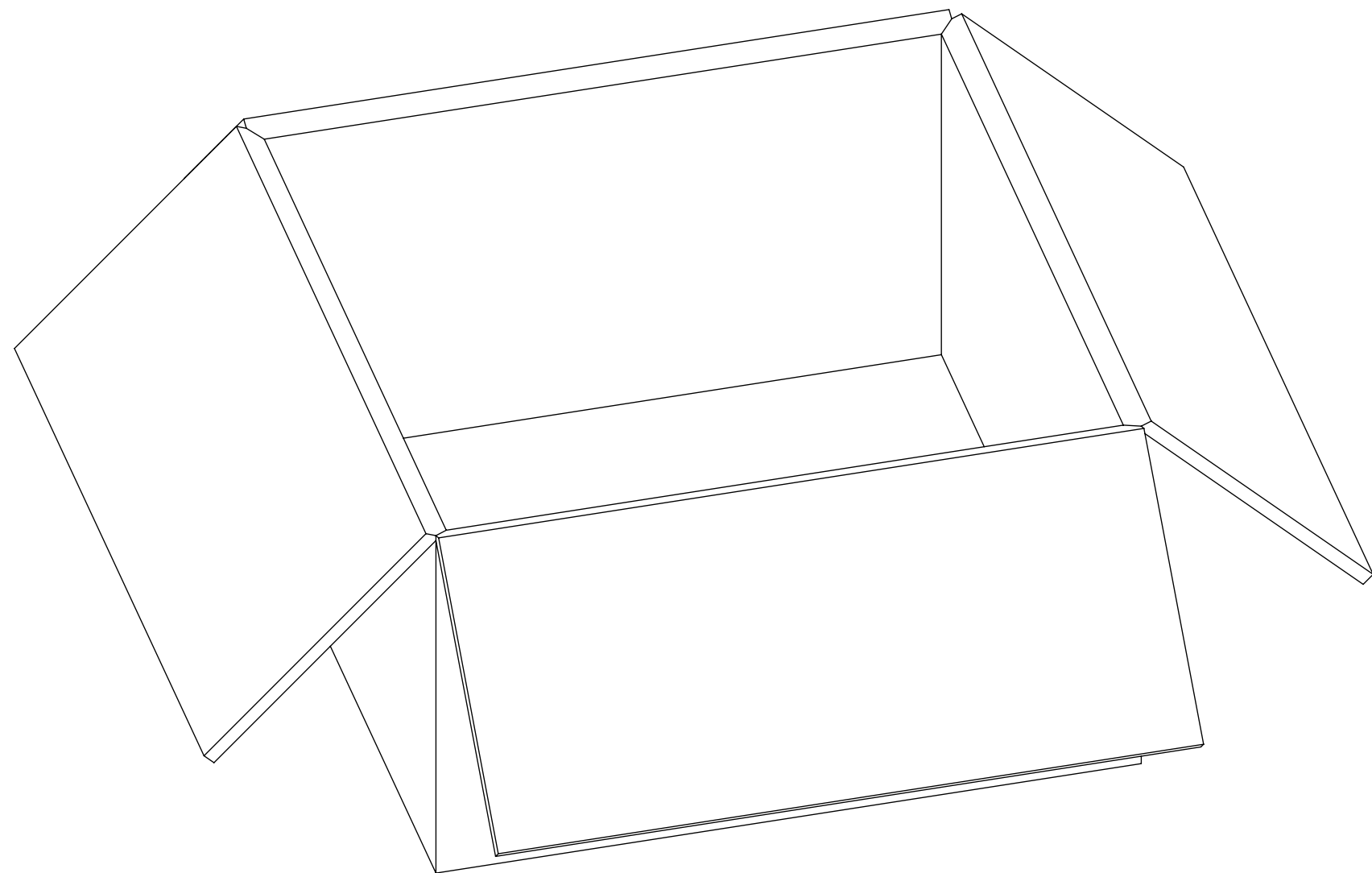
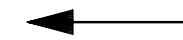
73300-0231
 73300-0232
 73300-0233



80 SETS PER TRAY



1600 SETS PER INNER CARTON BOX

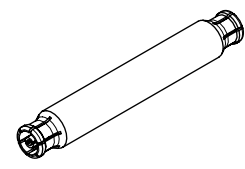


3200 SETS PER OUTER CARTON BOX

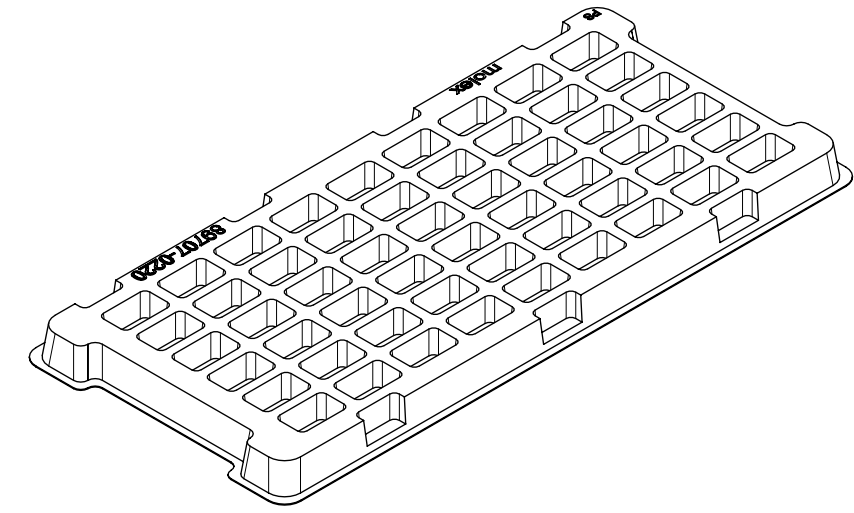
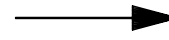
THIS DRAWING CONTAINS INFORMATION THAT IS PROPRIETARY TO MOLEX ELECTRONIC TECHNOLOGIES, LLC AND SHOULD NOT BE USED WITHOUT WRITTEN PERMISSION

DIMENSION UNITS		SCALE		CURRENT REV DESC: USE ADAPTER INSTEAD OF BULLET PER EWR #12150-B				molex				
INCH/MM		NTS										
GENERAL TOLERANCES (UNLESS SPECIFIED)				EC NO: 708608				SMPM JACK/JACK ADAPTER 50 OHM SMPM-J/J, EWR-12150				
ANGULAR TOL ± °				DRWN: RYEH 2022/05/30								
4 PLACES ±				CHK'D: YCHENG 2022/05/31				PRODUCT CUSTOMER DRAWING				
3 PLACES ±				APPR: YCHENG 2022/05/31								
2 PLACES ± 0.25				INITIAL REVISION:				DOCUMENT NUMBER		DOC TYPE	DOC PART	REVISION
1 PLACE ±				DRWN: JWIENER 2013/05/10				SD-73300-022		PSD	000	A12
0 PLACES ±				APPR: JWIENER 2013/08/16				MATERIAL NUMBER		CUSTOMER		SHEET NUMBER
DRAFT WHERE APPLICABLE MUST REMAIN WITHIN DIMENSIONS				THIRD ANGLE PROJECTION		DRAWING	SERIES	SEE TABLE		2 OF 4		
						C-SIZE	73300					

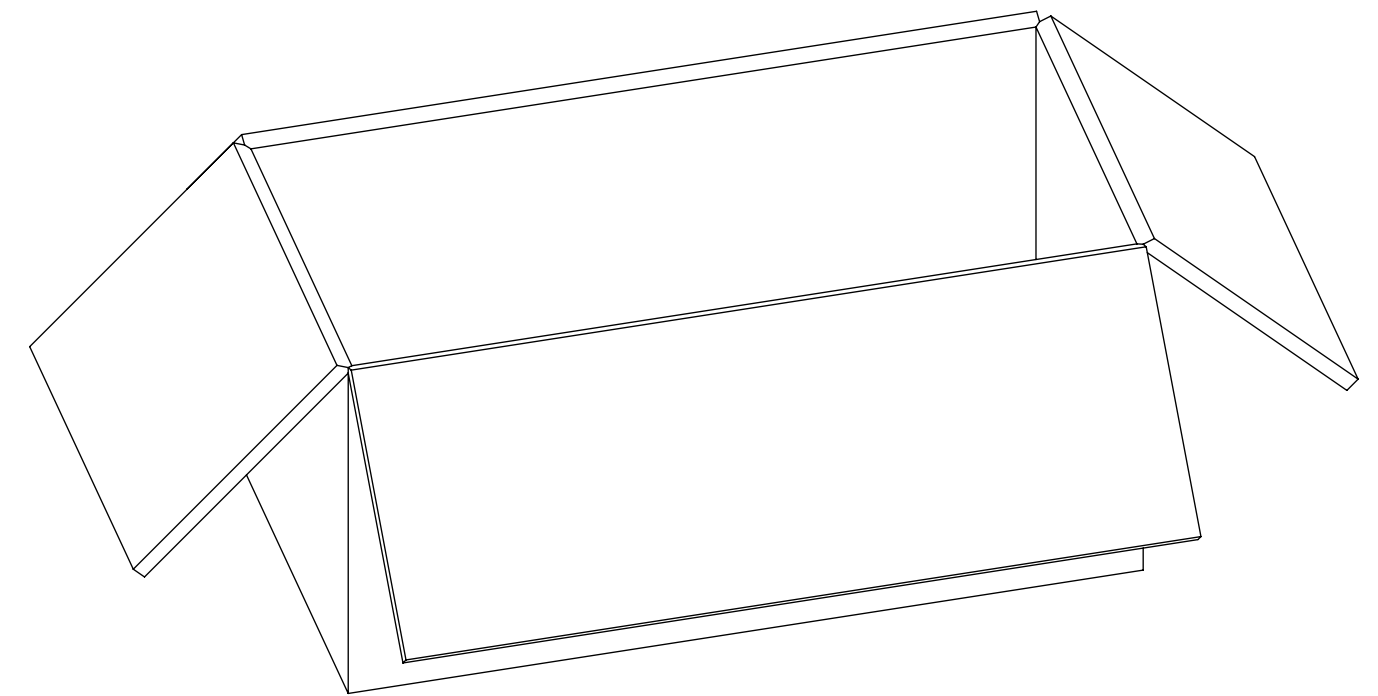
DOCUMENT STATUS	P1	RELEASE DATE	2022/05/31	07:22:57
-----------------	----	--------------	------------	----------



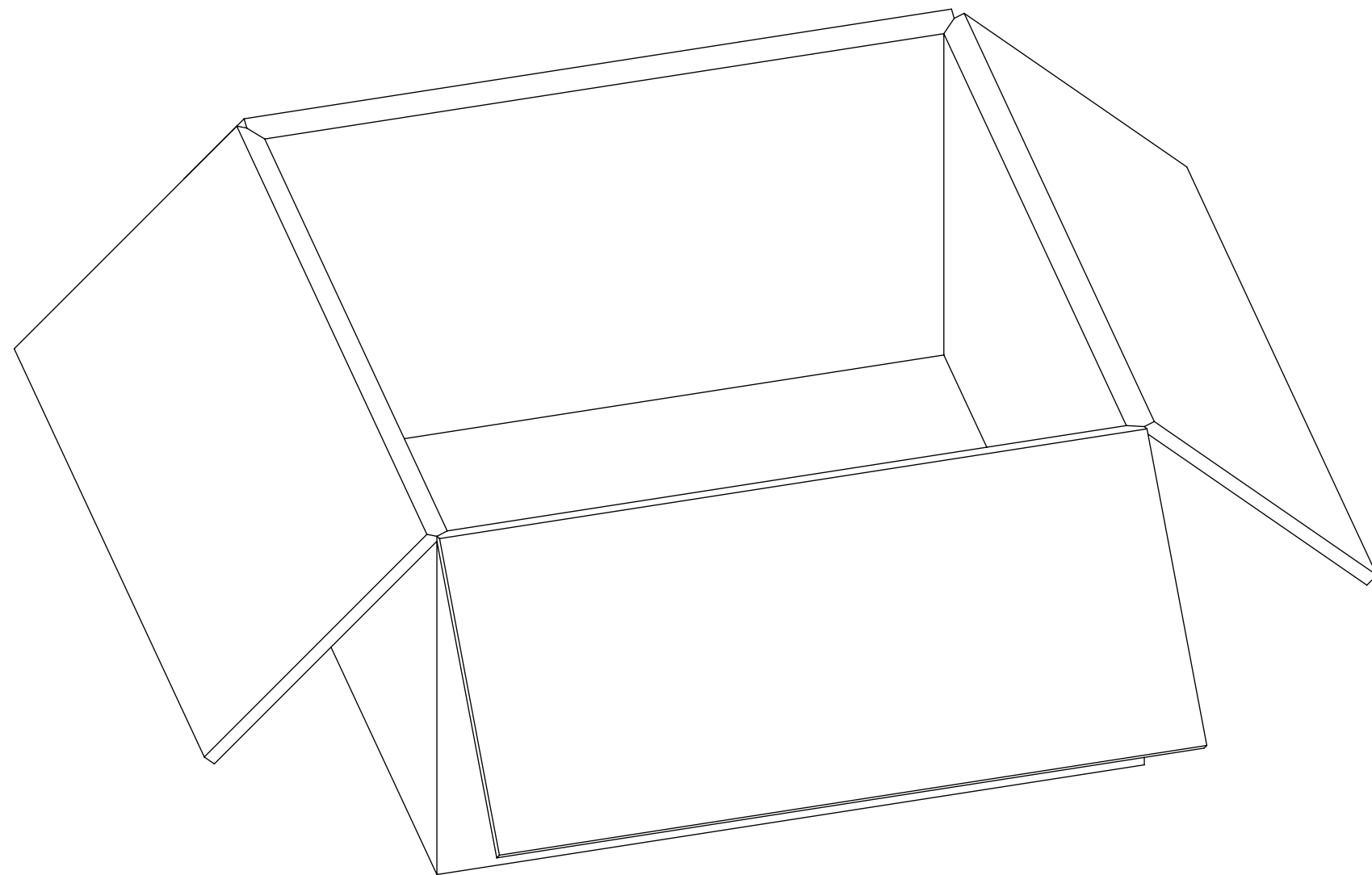
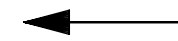
P/N: 73300-0226
73300-0230



54 SETS PER TRAY



540 SETS PER INNER CARTON BOX



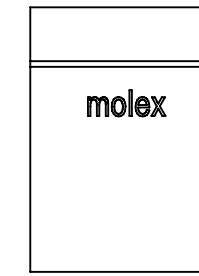
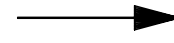
1080 SETS PER OUTER CARTON BOX

THIS DRAWING CONTAINS INFORMATION THAT IS PROPRIETARY TO MOLEX ELECTRONIC TECHNOLOGIES, LLC AND SHOULD NOT BE USED WITHOUT WRITTEN PERMISSION

DIMENSION UNITS		SCALE		CURRENT REV DESC: USE ADAPTER INSTEAD OF BULLET PER EWR #12150-B				molex				
INCH/MM		NTS										
GENERAL TOLERANCES (UNLESS SPECIFIED)				EC NO: 708608				SMPM JACK/JACK ADAPTER 50 OHM SMPM-J/J, EWR-12150				
ANGULAR TOL ± °				DRWN: RYEH 2022/05/30								
4 PLACES ±				CHK'D: YCHENG 2022/05/31				PRODUCT CUSTOMER DRAWING				
3 PLACES ±				APPR: YCHENG 2022/05/31								
2 PLACES ± 0.25				INITIAL REVISION:				DOCUMENT NUMBER		DOC TYPE	DOC PART	REVISION
1 PLACE ±				DRWN: JWIENER 2013/05/10				SD-73300-022		PSD	000	A12
0 PLACES ±				APPR: JWIENER 2013/08/16				MATERIAL NUMBER		CUSTOMER		SHEET NUMBER
DRAFT WHERE APPLICABLE MUST REMAIN WITHIN DIMENSIONS				THIRD ANGLE PROJECTION		DRAWING	SERIES	SEE TABLE		3 OF 4		
						C-SIZE	73300					



P/N: 73300-0220
73300-0223

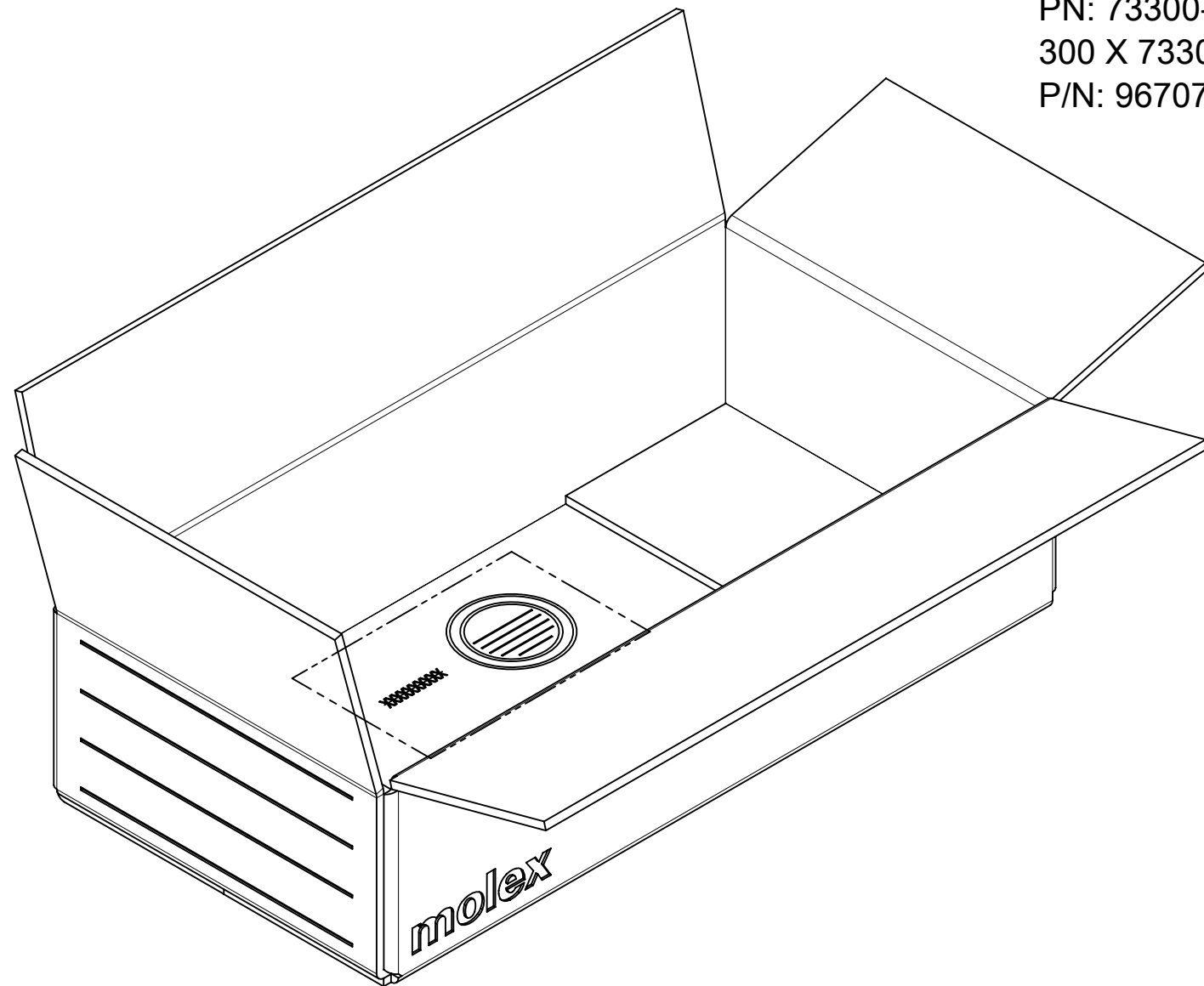
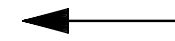


1 SET PER BAG

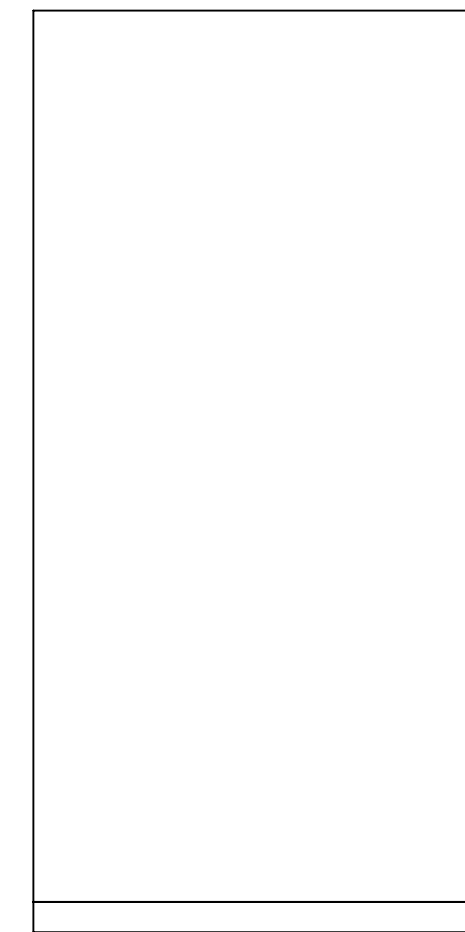


PN: 73300-0234
300 X 73300-0220 PER CARTON BOX
P/N: 96707-0003

PN: 73300-0235
300 X 73300-0223 PER CARTON BOX
P/N: 96707-0003



300 SETS PER CARTON BOX



50 SETS PER BAG

THIS DRAWING CONTAINS INFORMATION THAT IS PROPRIETARY TO MOLEX ELECTRONIC TECHNOLOGIES, LLC AND SHOULD NOT BE USED WITHOUT WRITTEN PERMISSION

DIMENSION UNITS		SCALE		CURRENT REV DESC: USE ADAPTER INSTEAD OF BULLET PER EWR #12150-B				molex					
INCH/MM		NTS											
GENERAL TOLERANCES (UNLESS SPECIFIED)								SMPM JACK/JACK ADAPTER 50 OHM SMPM-J/J, EWR-12150					
ANGULAR TOL ± °													
4 PLACES		±		EC NO: 708608				PRODUCT CUSTOMER DRAWING					
3 PLACES		±		DRWN: RYEH 2022/05/30									
2 PLACES		± 0.25		CHK'D: YCHENG 2022/05/31				DOCUMENT NUMBER					
1 PLACE		±		APPR: YCHENG 2022/05/31								SD-73300-022	
0 PLACES		±		INITIAL REVISION:				DOC TYPE					
				DRWN: JWIENER 2013/05/10								PSD	
				APPR: JWIENER 2013/08/16				DOC PART					
												REVISION	
								A12					
DRAFT WHERE APPLICABLE MUST REMAIN WITHIN DIMENSIONS		THIRD ANGLE PROJECTION		DRAWING		SERIES						MATERIAL NUMBER	
				C-SIZE		73300		SEE TABLE				4 OF 4	

DOCUMENT STATUS	P1	RELEASE DATE	2022/05/31	07:22:57
-----------------	----	--------------	------------	----------