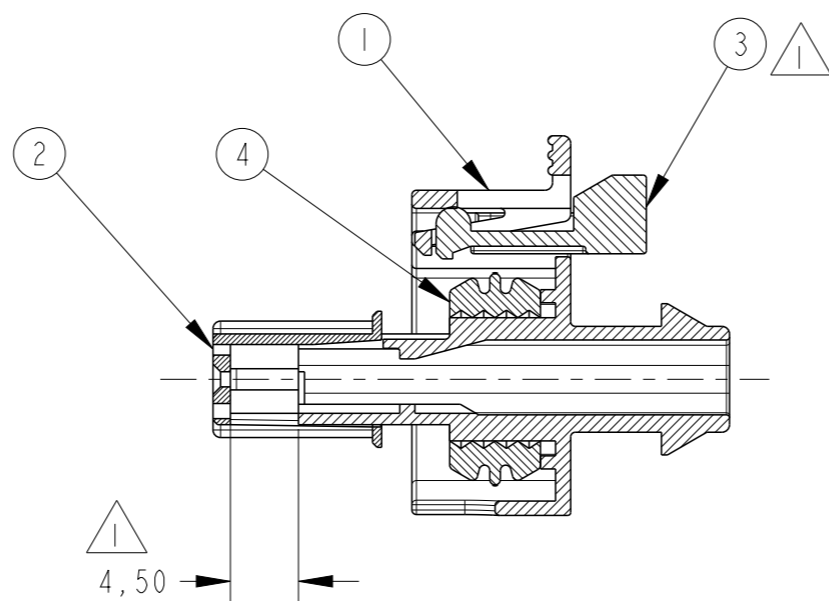
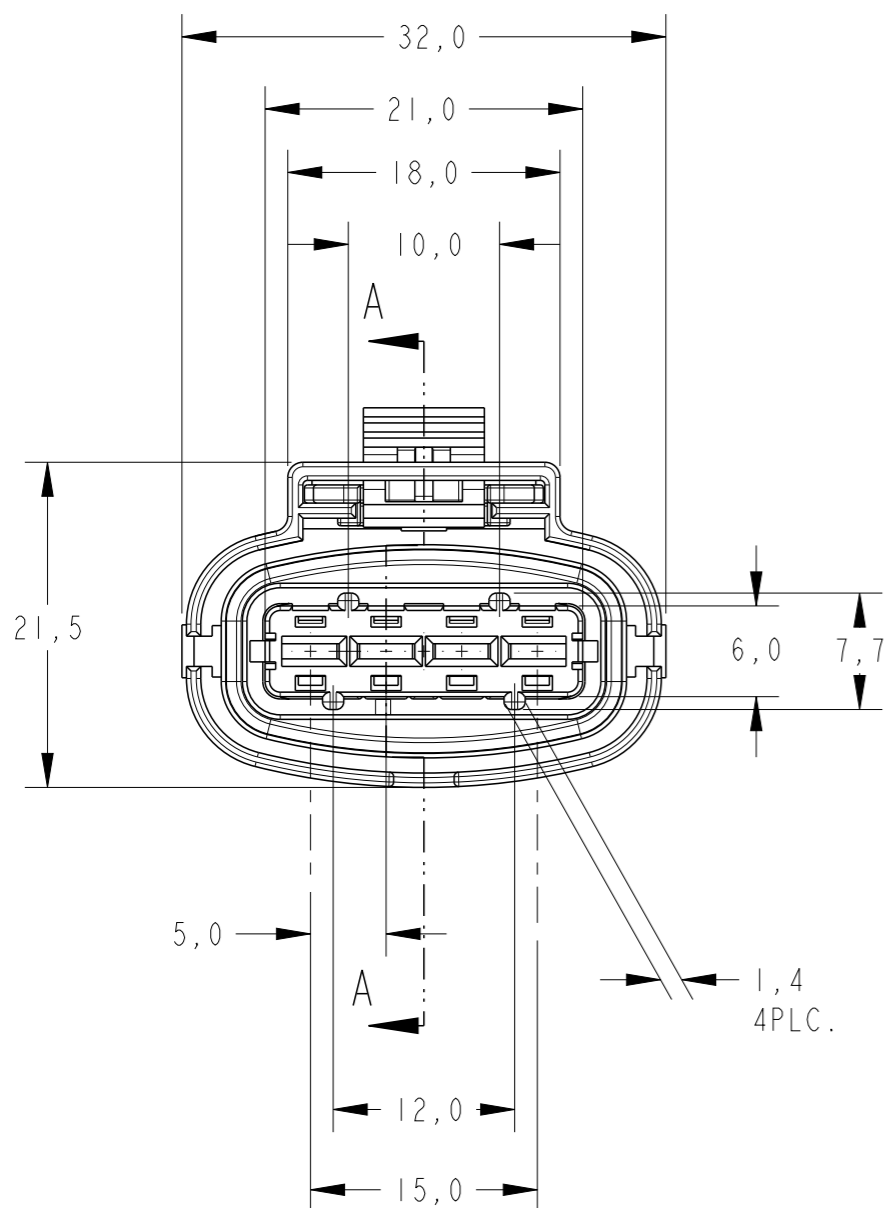


LOC AP DIST -

REVISIONS

P	LTR	DESCRIPTION	DATE	DWN	APVD
E		REVISED BY ECO-07-011909	22MAY2007	NCL	MR
F		UPDATE DRAWING ECO-13-009262	03JUN2013	NCL	BR



SECTION A-A

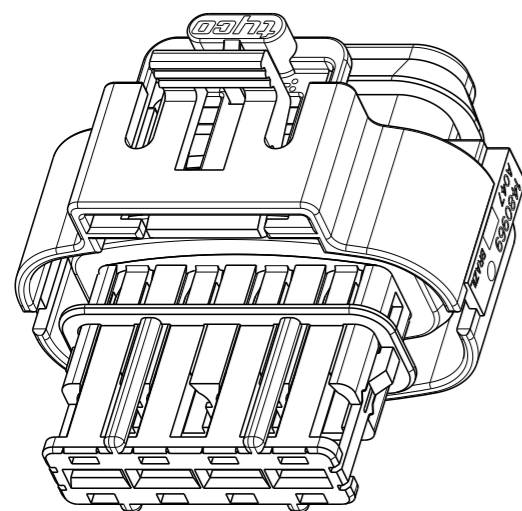
GRAVAÇÃO MARKING
LOGOTIPO TYCO TYCO LOGO
CÓDIGO PAÍS PRODUTOR MANUFACTURER COUNTRY CODE
NOMENCLATURA MATERIAL MATERIAL NOMENCLATURE
NÚMERO COMPONENTE TE TE COMPONENT NUMBER
NÚMERO CAVIDADE CAVITY NUMBER
IDENTIFICAÇÃO CIRCUITO CIRCUIT IDENTIFICATION
PAÍS PRODUTOR MANUFACTURER COUNTRY
REVISÃO DA PEÇA PART REVISION

1 - POSIÇÃO DE PRÉ TRAVAMENTO DA TRAVA SECUNDÁRIA, FORNECIDO CONFORME MOSTRADO.

2 - TERMINAIS E SELOS: VIDE DESENHO GRUPO DE PRODUTO - C 1355038.

1 - PRE LOCK POSITION OF SECONDARY LOCK, SUPPLIED AS SHOWN.

2 - TERMINALS AND SEALS: SEE PRODUCT GROUP DRAWING - C 1355038.



PERSPECTIVE VIEW SCALE 2:1

REQ. PER ASSY	ITEM	DESCRIPTION	MATERIAL	FINISH
1	4	SEAL, 4 POSN., RCPT	SILICONE	LARANJA / ORANGE
1	3	CONECTOR POSITION ASSURACE	PA 6.6 +30%FV.	AMARELO / YELLOW
1	2	SPACER, 4 POSN., RCPT.	PA 6.6 +15%FV.	AMARELO / YELLOW
1	1	HOUSING, 4 POSN., RCPT.	PA 6.6 +30%FV.	PRETO / BLACK

THIS DRAWING IS A CONTROLLED DOCUMENT.

DWN M.R.BRIZ 20AUG2002

CHK P.L.FARIA 20AUG2002

APVD L.W.PRADO 20AUG2002

PRODUCT SPEC -

APPLICATION SPEC -

WEIGHT -

CUSTOMER DRAWING



HOUSING ASSY., 4 POSITION SENSOR FLAT, RECEPTACLE

SIZE A3	CAGE CODE 00779	DRAWING NO C-1480968	RESTRICTED TO -
---------	-----------------	----------------------	-----------------

DIMENSIONS:	TOLERANCES UNLESS OTHERWISE SPECIFIED:
mm	
0 PLC	±-
1 PLC	±0,3
2 PLC	±-
3 PLC	±-
4 PLC	±-
ANGLES	±1°
MATERIAL -/-	FINISH -/-

SCALE 2:1	SHEET 1 OF 1	REV F
-----------	--------------	-------