



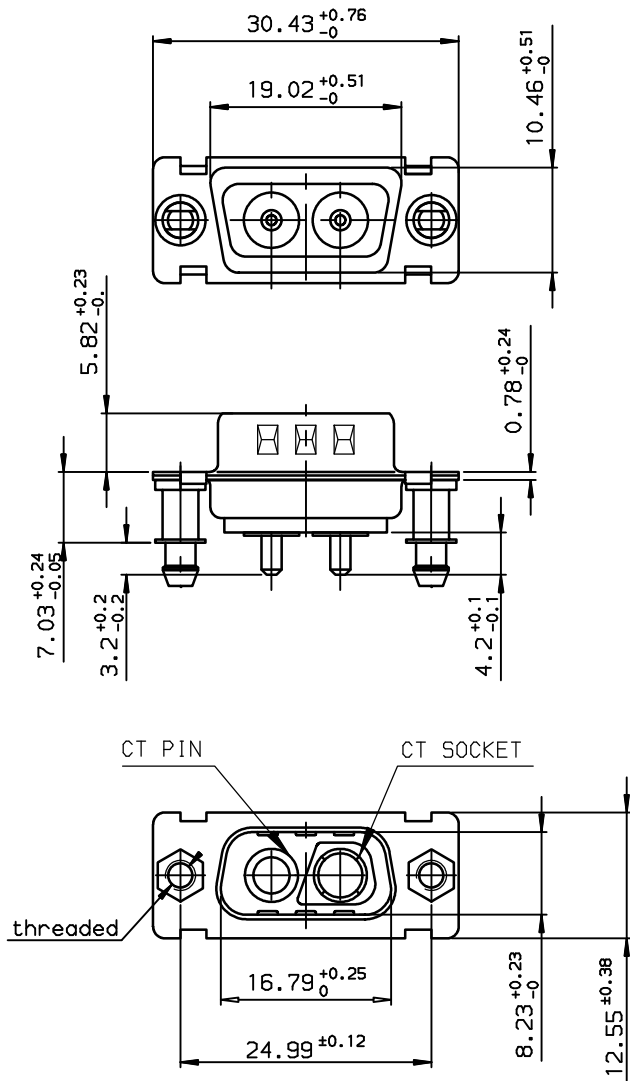
Copyright FCI.

A

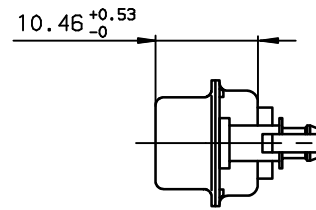
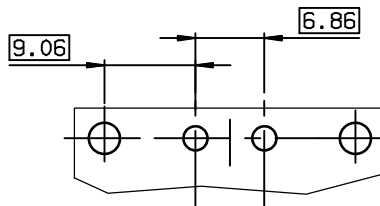
B

C

D



LAYOUT DIMENSIONS (after plating)
CONNECTOR SIDE VIEW



TIN-LEAD PART NUMBER

DE02V2P300H30	UNC 4.40
DEL2V2P300H30	M3
PART NUMBER	Threaded A

LEAD FREE PART NUMBER

DE02V2P300H30LF	UNC 4.40
DEL2V2P300H30LF	M3
PART NUMBER	Threaded A

GENERAL CHARACTERISTICS AND ROHS INFORMATIONS:
SEE DRAWING C01-8639-0001

European Views

www.fciconnect.com		surface ISO 1302 ✓	tolerance std ISO 406 ISO 1101	projection mm	TOLERANCES UNLESS OTHERWISE SPECIFIED	
Dr	JARRY	1997/05/05	ANGULAR	0.x	±0.1	size
Eng	PESSON	1997/05/05	LINEAR	0.xx	±0.1	A3
Chr	LEGARE	1997/05/05	0.xx' ±2'	0.xxx	±0.1	Scale 2
Appr	LEGARE	1997/05/05	Product family	D-SUB	Spec ref	ECN L506-0095
FCI		title PIN CONNECTOR WITH TWO POWERS CONTACTS		drawing no C01-8639-1529		Rev. D
catalog no		-		CUSTOMER		sheet 1 of 1

rev	ecn no	dr	date
B	-	BAR	2003/11/07
C	LS05-001	MPE	2005/03/07
D	LS06-0095	LGO	2006/07/20
-	-	-	-
-	-	-	-
-	-	-	-

REV F - 2006-04-17