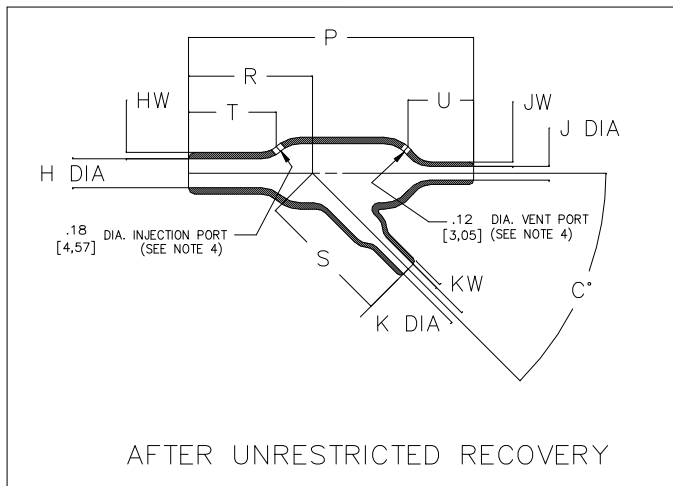
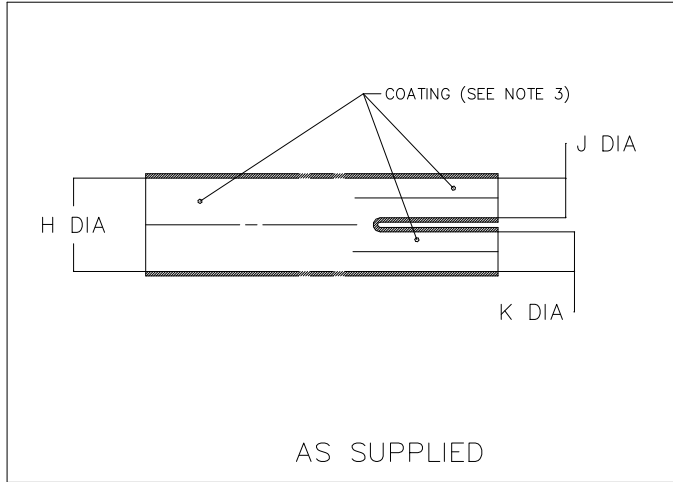


REVISIONS				
P	LTR	DESCRIPTION	DATE	APVD
	N1	REVISED PER ECN-23-221264	10JUL2023	MM LR



TE Connectivity. All Rights Reserved.

PART NUMBER	H		J & K		P	R	S	T	U	HW	JW & KW	C
	MIN a	MAX b	MIN a	MAX b	±10% b	±10% b	±10% b	±10% b	±10% b	±20% b	±20% b	±5° b
342A112	.52 [13,2]	.24 [6,1]	.26 [6,6]	.12 [3,0]	1.76 [44,7]	.90 [22,9]	.84 [21,3]	.70 [17,8]	.60 [15,2]	.06 [1,52]	.04 [1,02]	45
342A124	1.06 [26,9]	.49 [12,4]	.52 [13,2]	.24 [6,1]	3.54 [89,9]	1.66 [42,2]	1.68 [42,7]	1.25 [31,8]	1.22 [31,0]	.10 [2,54]	.06 [1,52]	45
342A138	2.19 [55,6]	1.00 [25,4]	1.06 [26,9]	.49 [12,4]	7.21 [183,1]	3.76 [95,5]	3.40 [86,4]	2.80 [71,1]	2.60 [66,0]	.18 [4,57]	.10 [2,54]	45

DIMENSIONS: mm [INCHES]	DWN 01/20/2021 MAX MAZARIEGOS	MATERIAL SEE SHEET 2	FINISH -
	CHK 01/21/2021 MARK TAYLOR	TE Connectivity Ltd.	
TOLERANCES UNLESS OTHERWISE SPECIFIED:	APVD 01/21/2021 LUIS RODRIGUEZ		
0 PLC ± -	PRODUCT SPEC -	SIZE A4	CAGE CODE 06090
1 PLC ± -	APPLICATION SPEC -	DRAWING NO	RESTRICTED TO -
2 PLC ± -	WEIGHT -	C= 342A1XX	
3 PLC ± -		SCALE DNS	
4 PLC ± -		SHEET 1 OF 2	
ANGLES ± -		REV N1	
		CUSTOMER DRAWING	

REVISIONS					
P	LTR	DESCRIPTION	DATE	DWN	APVD
	-	SEE SHEET 1	-	-	-

COMPATIBILITY CHART			
MATERIAL DASH NO.	MATERIAL DESCRIPTION	RT SPEC	COATING SLASH NO.
-3	POLYOLEFIN, SEMI-RIGID	RT-301	/42; /86
-4	POLYOLEFIN, FLEXIBLE	RT-1304	/42; /86
-12	FLUOROELASTOMER	RT-1312	N/A
-25	ELASTOMER, FLUID RESISTANT	RW-2070	/86, /225
-100	POLYOLEFIN, SEMI-FLEXIBLE ZEROHAL	RT-1323	/180; /86

ORDERING INFORMATION

342A1XX -XX -XX /XX -0

Base part number _____

Material dash number _____
(See Compatability Chart)

Modification number _____

Adhesive slash number _____
(If necessary, see Compatability Chart)

Color Designator _____

NOTES

- Dimensions appearing in table are as follows:
 - a - As Supplied
 - b - After Unrestricted Recovery
- Coating is optional. As supplied dimensions appearing in table are for uncoated parts. When coating is added, entry diameters will be reduced by 1.5mm [.06] max.
- Molding port is optional. When -00 modification number is specified molding port will be located as shown.

TE Connectivity. All Rights Reserved.

1



DIMENSIONS: mm [INCHES]	DWN	01/20/2021	MATERIAL	-	FINISH	-				
	CHK	01/21/2021	TE Connectivity Ltd.							
TOLERANCES UNLESS OTHERWISE SPECIFIED:	APVD	01/21/2021								
	PRODUCT SPEC	-	NAME	TRANSITION 45 DEGREE						
0 PLC ± - 1 PLC ± - 2 PLC ± - 3 PLC ± - 4 PLC ± - ANGLES ± -	APPLICATION SPEC	-	SIZE	CAGE CODE	DRAWING NO	RESTRICTED TO				
	WEIGHT	-	A4	06090	342A1XX	-				
			CUSTOMER DRAWING		SCALE	DNS	SHEET	2 OF 2	REV	N1