

10 mm Square SMD Encoders

Type: **EVQVV**



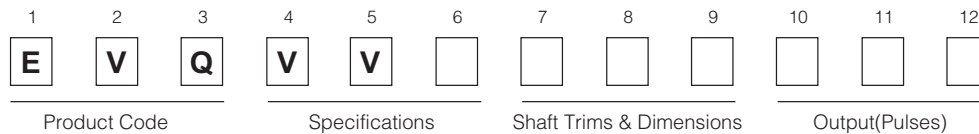
■ Features

- Low profile(H=2.2 mm),
Shaft hole diameters of up to 4 mm.
- Light operation with a rotation torque of 2 mN·m
- Automatic mounting and SMDs.

■ Recommended Applications

- Air conditioning temperature controls
- Input of operation units
- Computer peripherals

■ Explanation of Part Numbers



■ Specifications

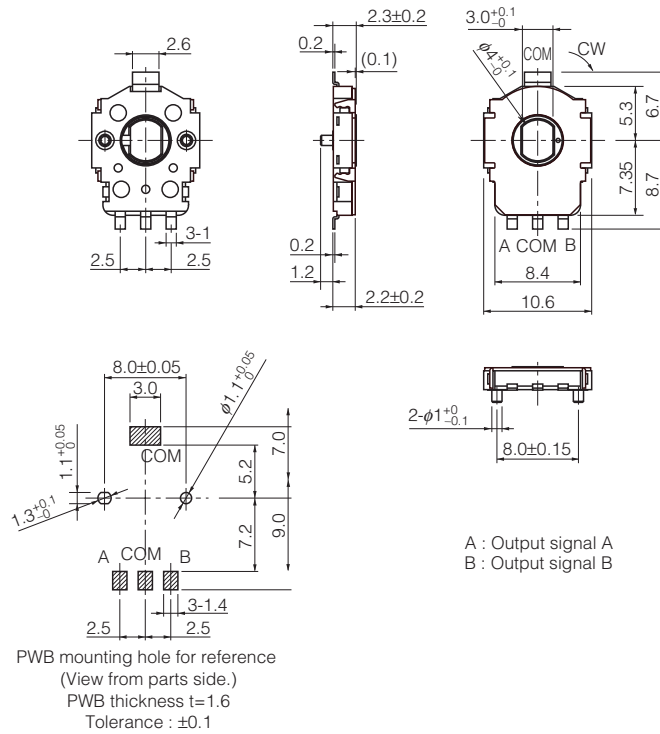
Mechanical	Rotation Angle	360 ° (Endless)
	Rotation Torque	2 mN·m max.
Electrical	Output Signals	Phase A and B
	Resolution	3 pulses/360 °
	Rating	1 mA 10 Vdc (at each bit)
	Contact Resistance	10 Ω max.
	Insulation Resistance	50 MΩ min. (at 50 Vdc)
	Dielectric Withstanding Voltage	50 Vac for 1 minute
	Bouncing	5 ms max.
Endurance	Rotation Life	70000 cycles min.
Minimum Quantity/Packing Unit		1500 pcs. Embossed Taping (Reel Pack)
Quantity/Carton		6000 pcs.

Design and specifications are each subject to change without notice. Ask factory for the current technical specifications before purchase and/or use.
Should a safety concern arise regarding this product, please be sure to contact us immediately.

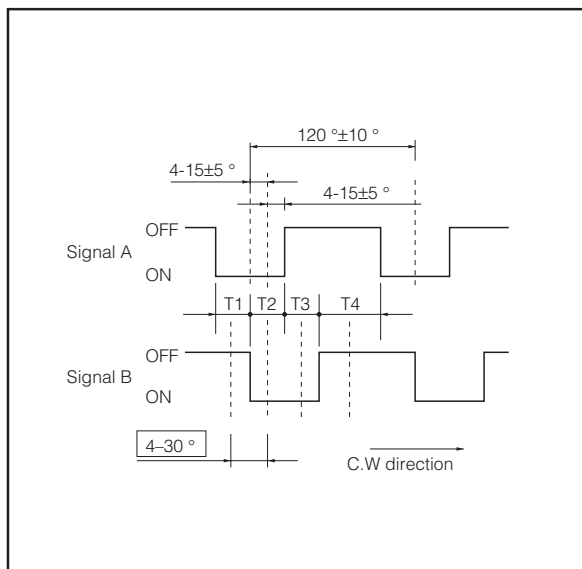
00 Oct. 2012

■ Dimensions in mm (not to scale)

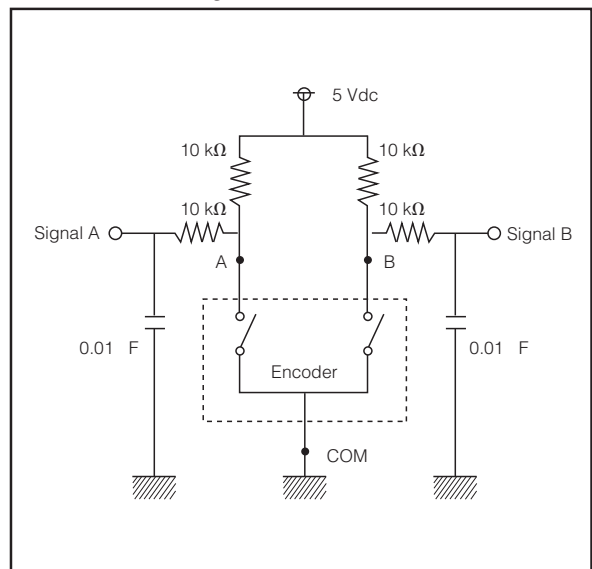
EVQVV



■ Phase Difference



■ Test Circuit Diagram



Design and specifications are each subject to change without notice. Ask factory for the current technical specifications before purchase and/or use. Should a safety concern arise regarding this product, please be sure to contact us immediately.