

RC-06S1NA2H000 - Device connector, rear mounting



1614175

<https://www.phoenixcontact.com/us/products/1614175>

Please be informed that the data shown in this PDF document is generated from our online catalog. Please find the complete data in the user documentation. Our general terms of use for downloads are valid.



M23, Device connector, rear mounting, series: RC, straight, shielded: yes, Screw locking mechanism, No. of pos.: 6, Direction of rotation: Standard, contact connection type: Socket, Solder-in connection, Axial O-ring, Central fastening M25 x 1.5, Panel thickness min.: 0.8 mm, Panel thickness max.: 6.5 mm, coding: N, Alternative product in accordance with RoHS II without Exemption 6c (Pb <0.1%) item no.: 1242855

Commercial data

Item number	1614175
Packing unit	1 pc
Minimum order quantity	1 pc
Note	Made to order (non-returnable)
Sales key	AB31
Product key	ABRAFR
GTIN	4046356404082
Weight per piece (including packing)	62 g
Weight per piece (excluding packing)	62 g
Customs tariff number	85366990
Country of origin	DE

RC-06S1NA2H000 - Device connector, rear mounting



1614175

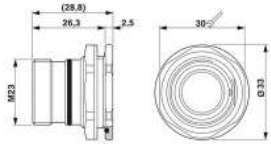
<https://www.phoenixcontact.com/us/products/1614175>

Technical data

Product properties

Product type	Circular connectors (device side)
--------------	-----------------------------------

Dimensions

Dimensional drawing	
Length of the solder pin	3.5 mm
	3.5 mm

Connector

Insulating body

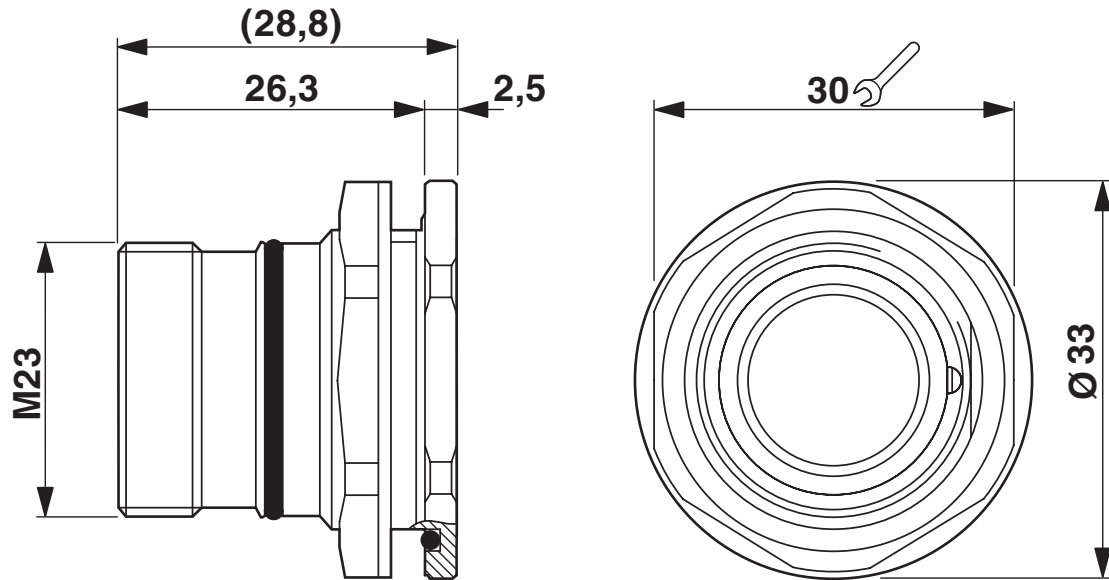
Coding	N
Insertion/withdrawal cycles	50
Connection method	Solder-in connection
Contact switching type	Socket
Application	Signal
Number of positions	6
Direction of rotation	Standard
Connection profile	6
Contact diameter Power contacts	2 mm
Rated current Power contacts	20 A
Rated voltage	48 V AC
	74 V DC
Rated surge voltage	1.5 kV
Overvoltage category	III
Degree of pollution	3

Housing

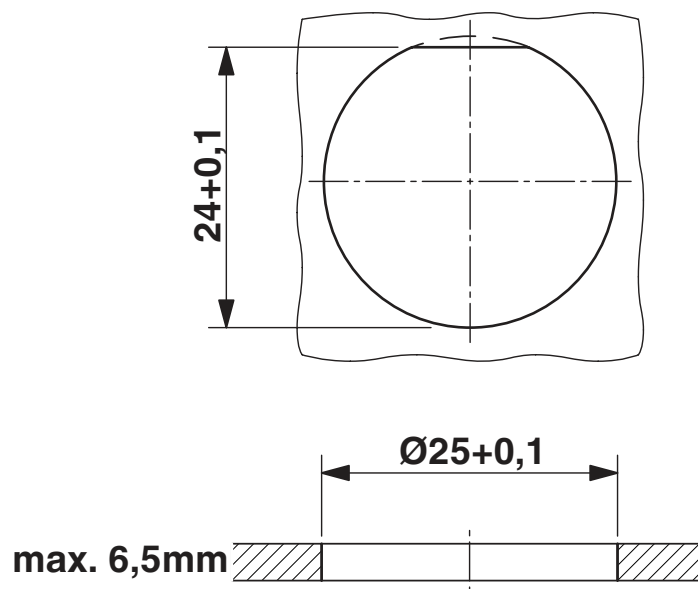
Housing material	Metal
Type of locking	Screw locking mechanism
Pg screw connection	none
Degree of protection (plugged in)	IP67
Thread type	M23

Drawings

Dimensional drawing



Dimensional drawing



Installation dimensions

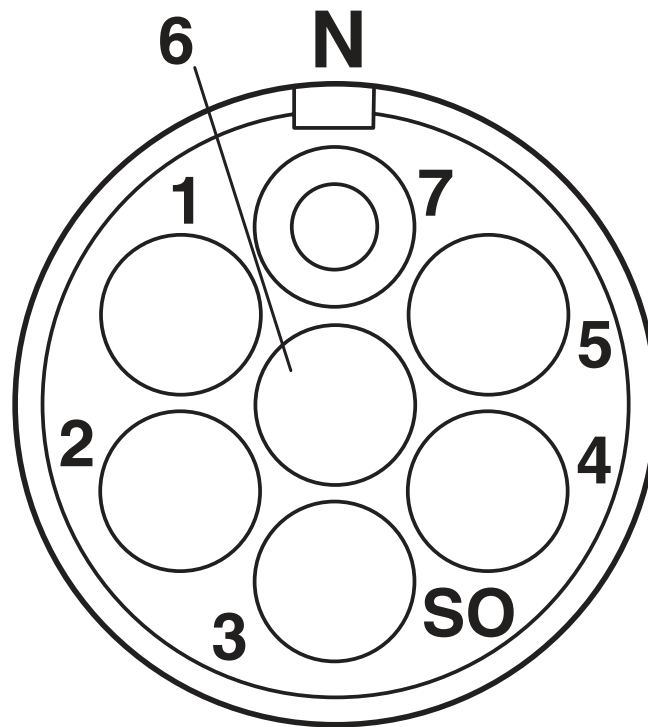
RC-06S1NA2H000 - Device connector, rear mounting



1614175

<https://www.phoenixcontact.com/us/products/1614175>

Schematic diagram



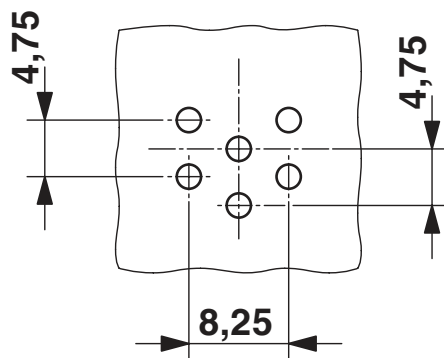
RC-06S1NA2H000 - Device connector, rear mounting



1614175

<https://www.phoenixcontact.com/us/products/1614175>

Drilling plan/solder pad geometry



6-pos.

RC-06S1NA2H000 - Device connector, rear mounting



1614175

<https://www.phoenixcontact.com/us/products/1614175>

Classifications

ECLASS

ECLASS-11.0	27440102
ECLASS-12.0	27440116
ECLASS-13.0	27440116

ETIM

ETIM 8.0	EC002635
----------	----------

UNSPSC

UNSPSC 21.0	39121400
-------------	----------

RC-06S1NA2H000 - Device connector, rear mounting



1614175

<https://www.phoenixcontact.com/us/products/1614175>

Environmental product compliance

REACH SVHC	Lead 7439-92-1
China RoHS	Environmentally Friendly Use Period = 50 years
	For information on hazardous substances, refer to the manufacturer's declaration available under "Downloads"

Phoenix Contact 2023 © - all rights reserved

<https://www.phoenixcontact.com>

Phoenix Contact USA
586 Fulling Mill Road
Middletown, PA 17057, United States
(+717) 944-1300
info@phoenixcon.com