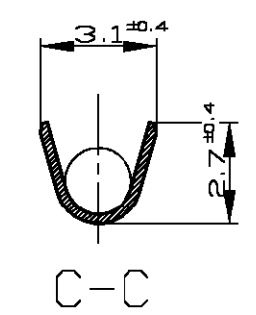
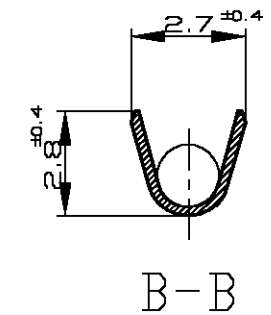
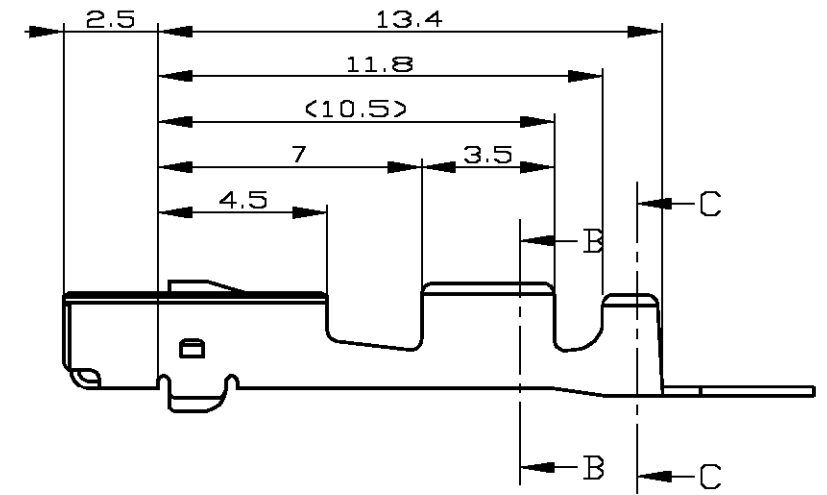
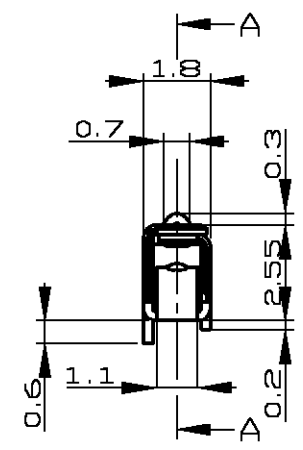
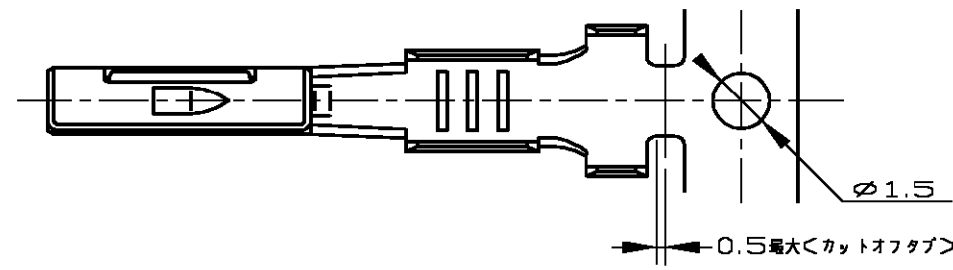
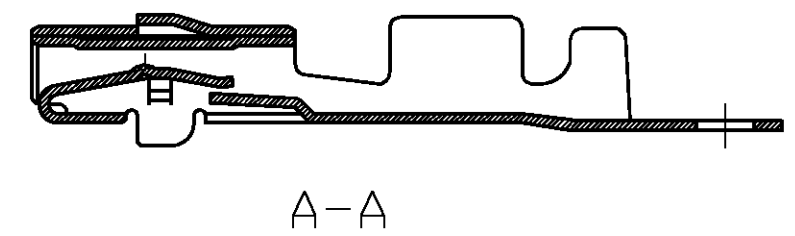


THIS DRAWING IS UNPUBLISHED. RELEASED FOR PUBLICATION
 © COPYRIGHT 01 BY TYCO ELECTRONICS CORPORATION. ALL RIGHTS RESERVED.

LOC	DIST	REVISIONS					
J	—	P	LTR	DESCRIPTION	DATE	DWN	APVD
		A1		REDRAWN WITH CHANGE fj00-0824-00	17JAN01	KF	N.S



- 1. APPLICATION SPEC NO. 114-5159
- 2. APPLICABLE PRODUCT SPEC NO.108-5359
- 1. 取付適用規格番号 114-5159
- 2. 適用製品規格番号 108-5359



179419-1	銅めっき済 (PRE-TINNIED)	179008-1
バフ端子型番	仕上げ (FINISH)	AMP型番 (PART NUMBER)

THIS DRAWING IS A CONTROLLED DOCUMENT.	
DIMENSIONS: MM	TOLERANCES UNLESS OTHERWISE SPECIFIED:
	0 PLC ± -
	1 PLC ± -
	2 PLC ± -
	3 PLC ± -
	4 PLC ± -
	ANGLES ± 3°
MATERIAL Cu ALLOY	FINISH SEE TABLE

TOLERANCES UNLESS OTHERWISE SPECIFIED:
<10±0.2
10 ≤ <30±0.25
30 ≤ ±0.3

DWN K.FURUYAMA 17JAN01	Tyco Electronics AMP K.K. Kawasaki, Japan	
CHK N.SAI 17JAN01	NAME 040 II SERIES "M" RECEPTACLE CONTACT	
APVD N.SAI 17JAN01	SIZE A3	CAGE CODE 00779
PRODUCT SPEC SEE TABLE	DRAWING NO C-179008	RESTRICTED TO
APPLICATION SPEC SEE TABLE	SCALE 5:1	SHEET 1 OF 1
WEIGHT 0.3g	CUSTOMER DRAWING	REV A1