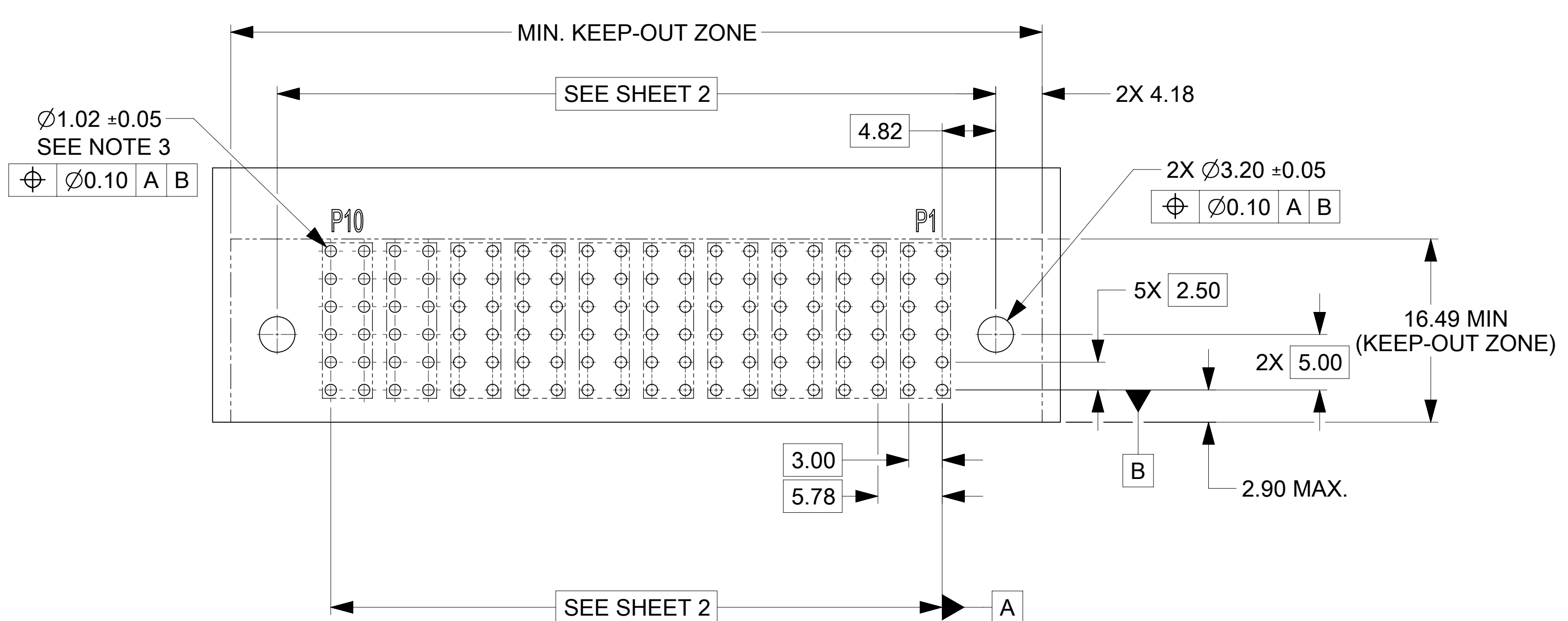


**PLUG MATED TO R/A RECEPTACLE
MATED PROFILE**

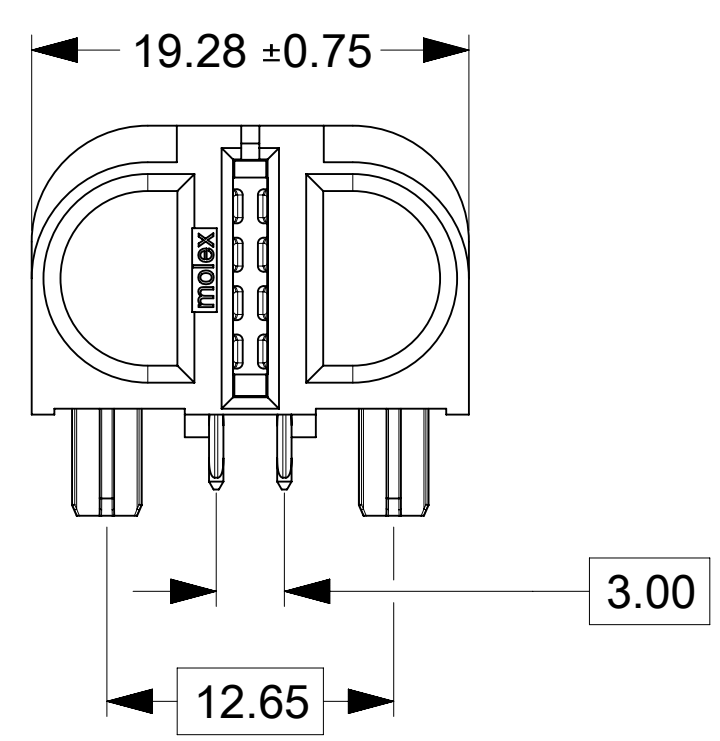


RECOMMENDED PCB LAYOUT AND KEEP-OUT ZONE

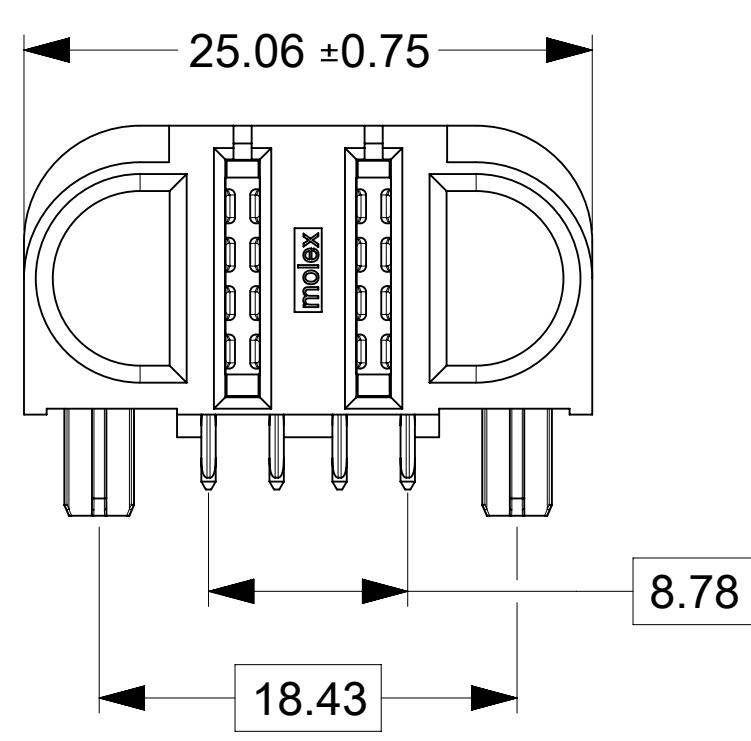
- NOTES:**
- MATERIAL:**
 - HOUSINGS: LCP UL94, V-0, COLOR : BLACK
 - TERMINALS: HIGH CONDUCTIVITY COPPER ALLOY
 - PLATING: 1.27 μm (50 μin) NICKEL OVERALL WITH 2.54 μm (100 μin) SELECTIVE TIN ON TAILS AND 0.762 μm (30 μin) SELECTIVE GOLD ON CONTACT AREA
 - PACKAGING:** ASSEMBLIES TO BE TRAY PACKED PER PACKAGING SPEC: 2141150010-PK.
 - PLATED THRU HOLE SIZE,** REFER TO PRODUCT SPEC. FOR DETAILS.
 - PRODUCT SPEC:** 2141130000-PS.
 - PRODUCT TO MEET RoHS REQUIREMENTS.**
 - VERTICAL ASSEMBLY MATES TO MOLEX PLUG 219562XXXX-SD, SEE DRAWING FOR DETAILS.**
 - TAIL DESIGN: COMPLIANT PIN.**
 - POWER TERMINALS ARE LUBRICATED.**
 - APPLICATION SPECIFICATION: 2141130000-AS (FOR COMPLIANT TAILS ONLY).**

THIS DRAWING CONTAINS INFORMATION THAT IS PROPRIETARY TO MOLEX ELECTRONIC TECHNOLOGIES, LLC AND SHOULD NOT BE USED WITHOUT WRITTEN PERMISSION										
DIMENSION UNITS	SCALE	CURRENT REV DESC:								
mm	3:1	<div style="text-align: right; font-size: 2em; font-weight: bold;">molex</div> <p style="text-align: center;">GUARDIAN HD REC POWER ONLY PF</p> <p style="text-align: center;">PRODUCT CUSTOMER DRAWING</p>								
GENERAL TOLERANCES (UNLESS SPECIFIED)										
ANGULAR TOL	± °									
4 PLACES	±									
3 PLACES	±									
2 PLACES	± 0.25	EC NO: 745288	2023/03/24		DOCUMENT NUMBER			DOC TYPE	DOC PART	REVISION
1 PLACE	± 0.3	DRWN: LZABJANOVSKI	2022/03/31		2195649000-SD			PSD	000	A3
0 PLACES	±	CHK'D: JAYK1	2023/04/10		MATERIAL NUMBER			CUSTOMER	SHEET NUMBER	
DRAFT WHERE APPLICABLE MUST REMAIN WITHIN DIMENSIONS		THIRD ANGLE PROJECTION	DRAWING	SERIES	MATERIAL NUMBER	CUSTOMER	SEE CHART			
			D-SIZE	219564			1 OF 2			

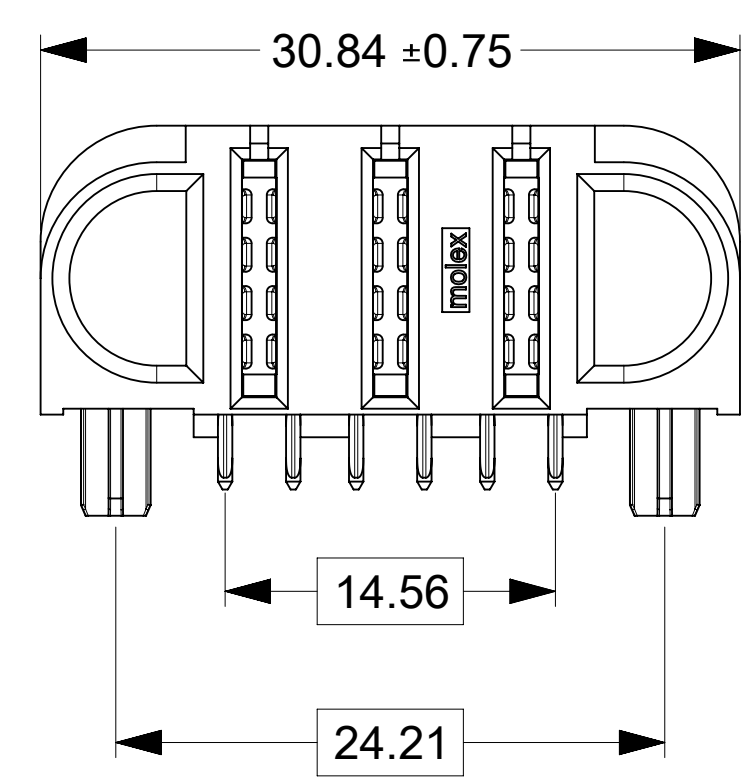
PART NUMBER	CONFIGURATION	QUANTITY PER CARTON (DU)
219564-0001	G+1P+G	195



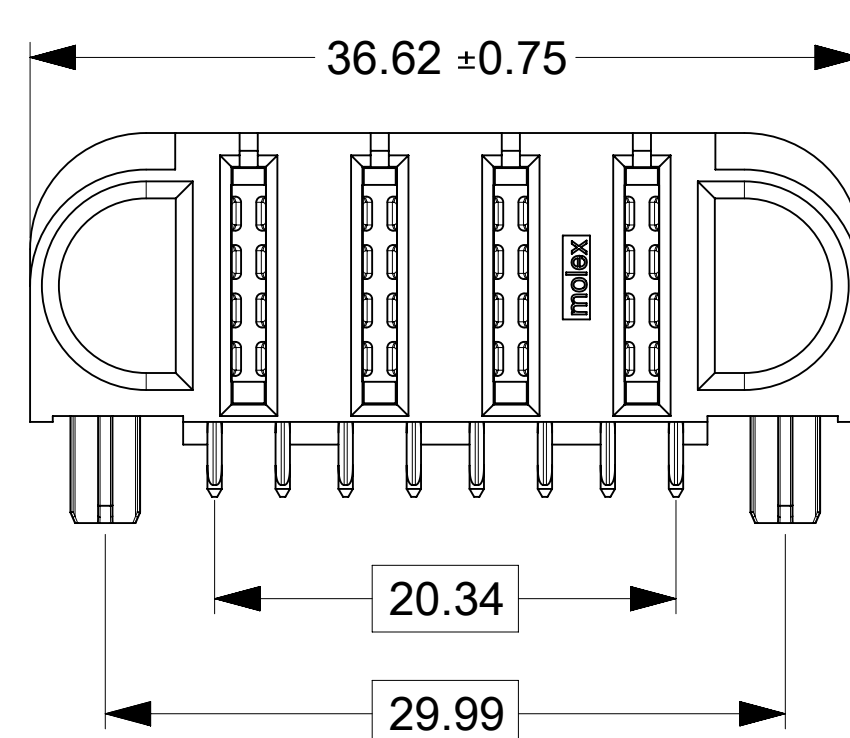
PART NUMBER	CONFIGURATION	QUANTITY PER CARTON (DU)
219564-0002	G+2P+G	150



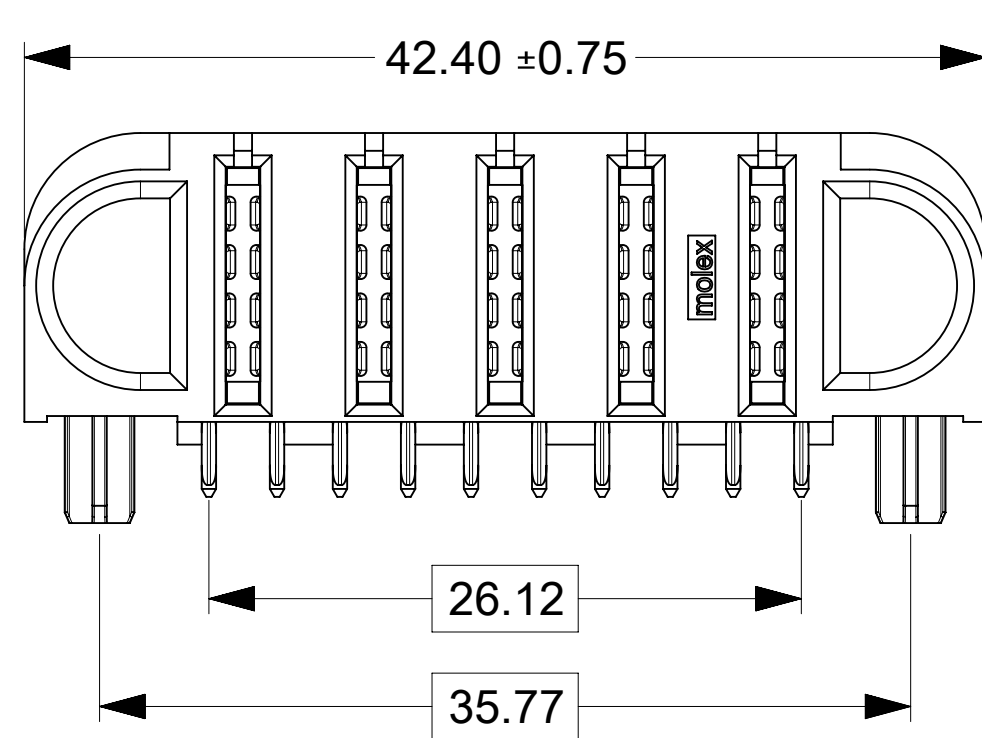
PART NUMBER	CONFIGURATION	QUANTITY PER CARTON (DU)
219564-0003	G+3P+G	120



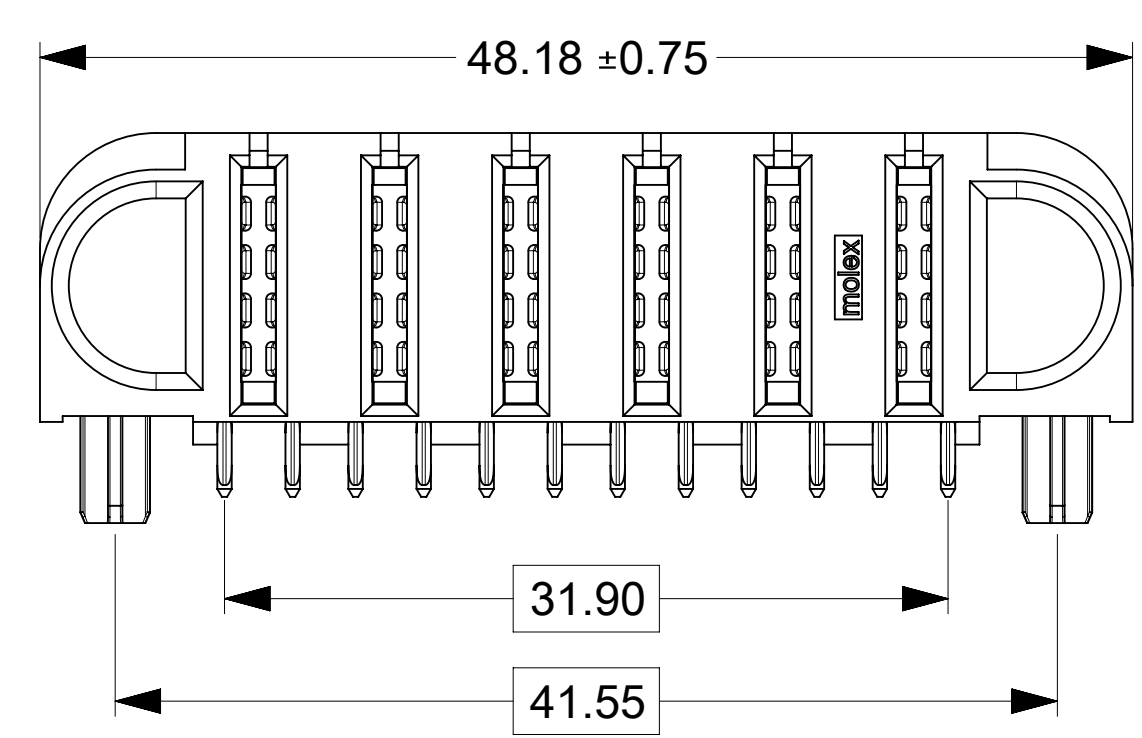
PART NUMBER	CONFIGURATION	QUANTITY PER CARTON (DU)
219564-0004	G+4P+G	105



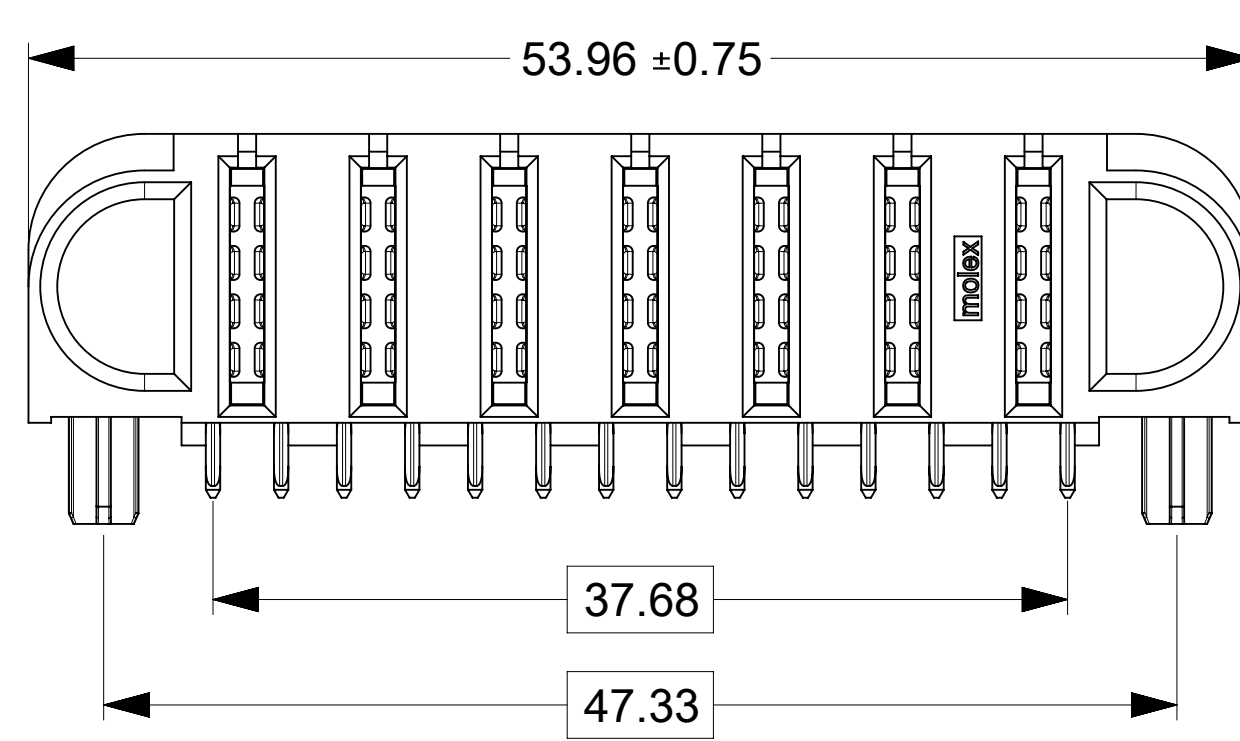
PART NUMBER	CONFIGURATION	QUANTITY PER CARTON (DU)
219564-0005	G+5P+G	90



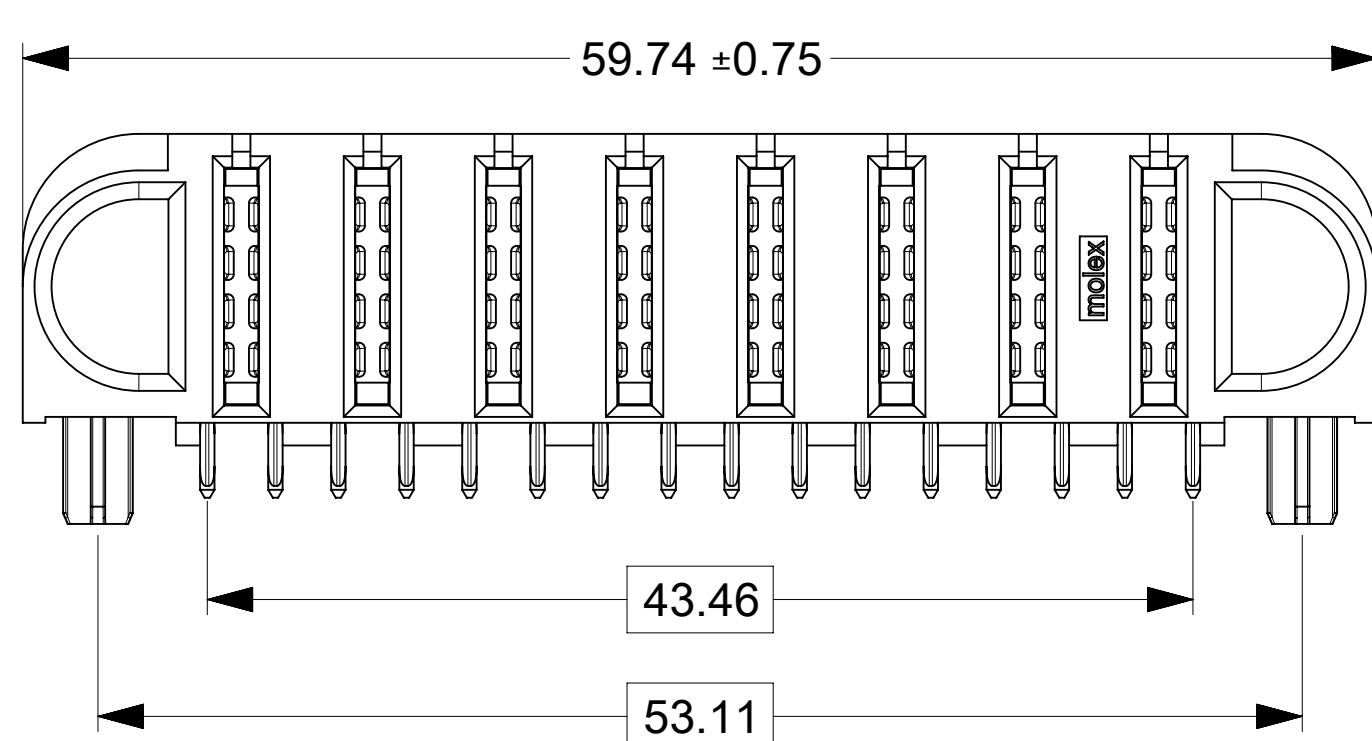
PART NUMBER	CONFIGURATION	QUANTITY PER CARTON (DU)
219564-0006	G+6P+G	75



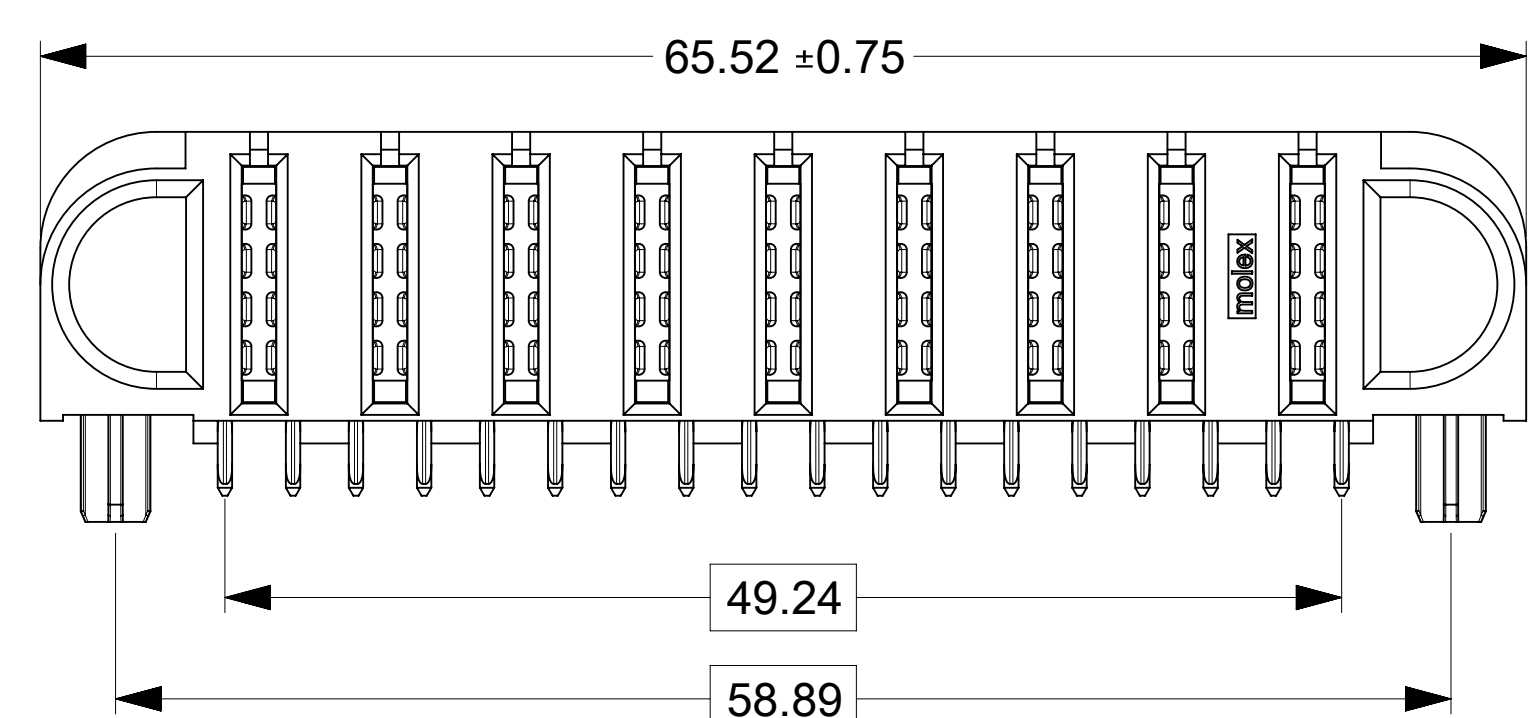
PART NUMBER	CONFIGURATION	QUANTITY PER CARTON (DU)
219564-0007	G+7P+G	60



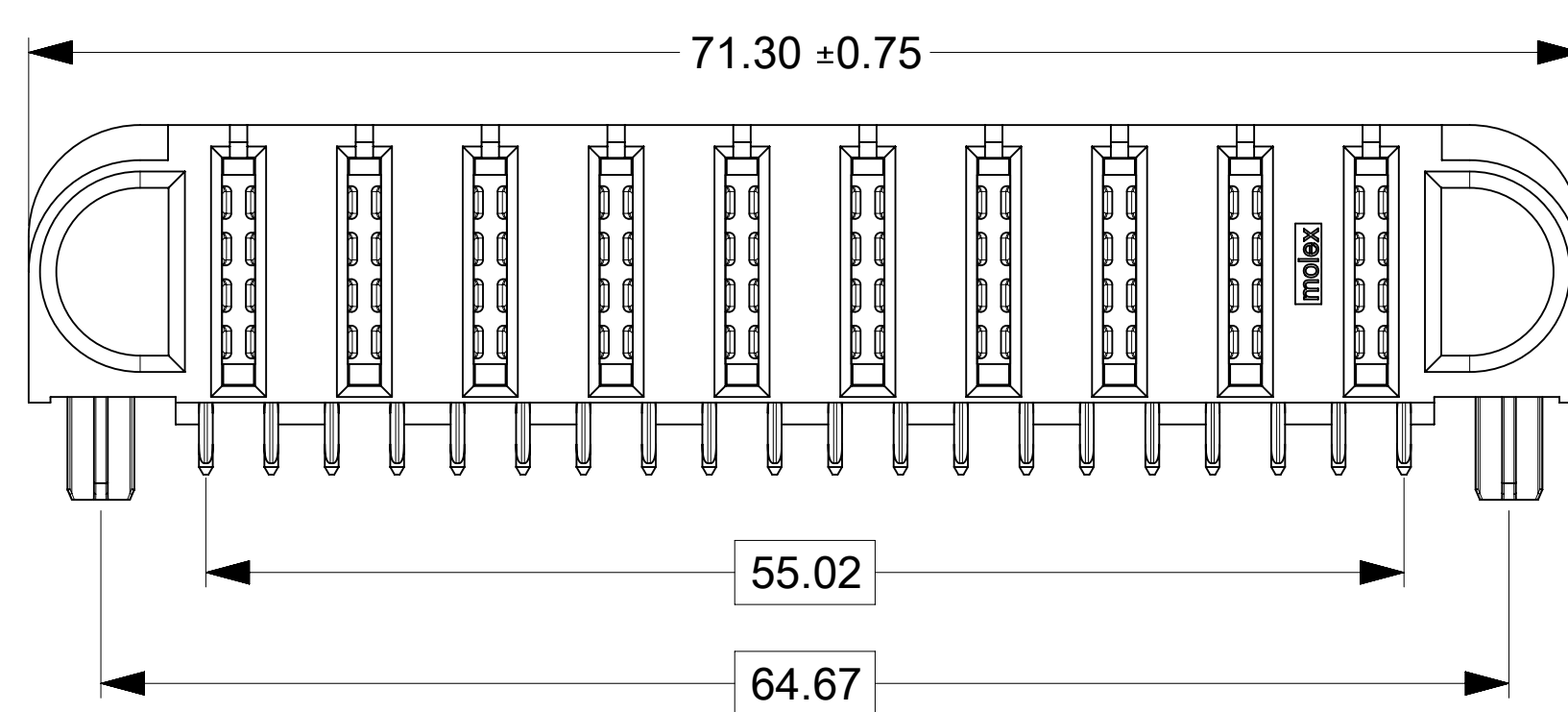
PART NUMBER	CONFIGURATION	QUANTITY PER CARTON (DU)
219564-0008	G+8P+G	60



PART NUMBER	CONFIGURATION	QUANTITY PER CARTON (DU)
219564-0009	G+9P+G	45



PART NUMBER	CONFIGURATION	QUANTITY PER CARTON (DU)
219564-0010	G+10P+G	45



THIS DRAWING CONTAINS INFORMATION THAT IS PROPRIETARY TO MOLEX ELECTRONIC TECHNOLOGIES, LLC AND SHOULD NOT BE USED WITHOUT WRITTEN PERMISSION

DIMENSION UNITS	SCALE	CURRENT REV DESC:
mm	3:1	
GENERAL TOLERANCES (UNLESS SPECIFIED)		
ANGULAR TOL	±	°
4 PLACES	±	
3 PLACES	±	
2 PLACES	±	0.25
1 PLACE	±	0.3
0 PLACES	±	
DRAFT WHERE APPLICABLE	THIRD ANGLE PROJECTION	DRAWING
MUST REMAIN WITHIN DIMENSIONS		D-SIZE

EC NO: 745288	DRWN: LZABJANOVSKI	2023/03/24
CHK'D: JAYK1	2023/04/10	
APPR: JAYK1	2023/04/10	
INITIAL REVISION:		
DRWN: LZABJANOVSKI	2022/03/31	
APPR: BPISZCZOR	2022/08/04	

DOCUMENT NUMBER			DOC TYPE	DOC PART	REVISION
2195649000-SD			PSD	000	A3
MATERIAL NUMBER		CUSTOMER		SHEET NUMBER	
SEE CHART				2 OF 2	

DOCUMENT STATUS	P1	RELEASE DATE	2023/04/11	17:06:07
-----------------	----	--------------	------------	----------