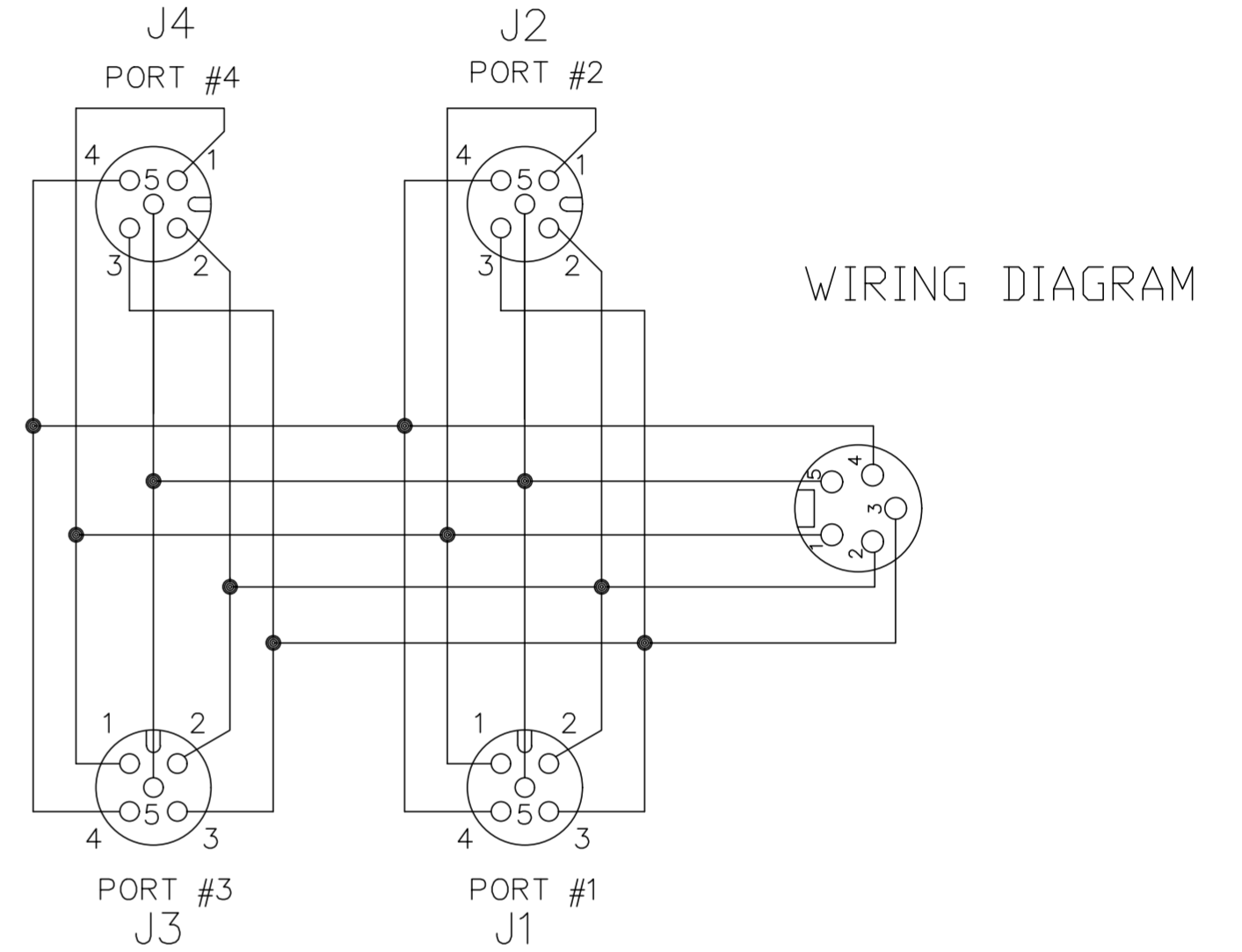
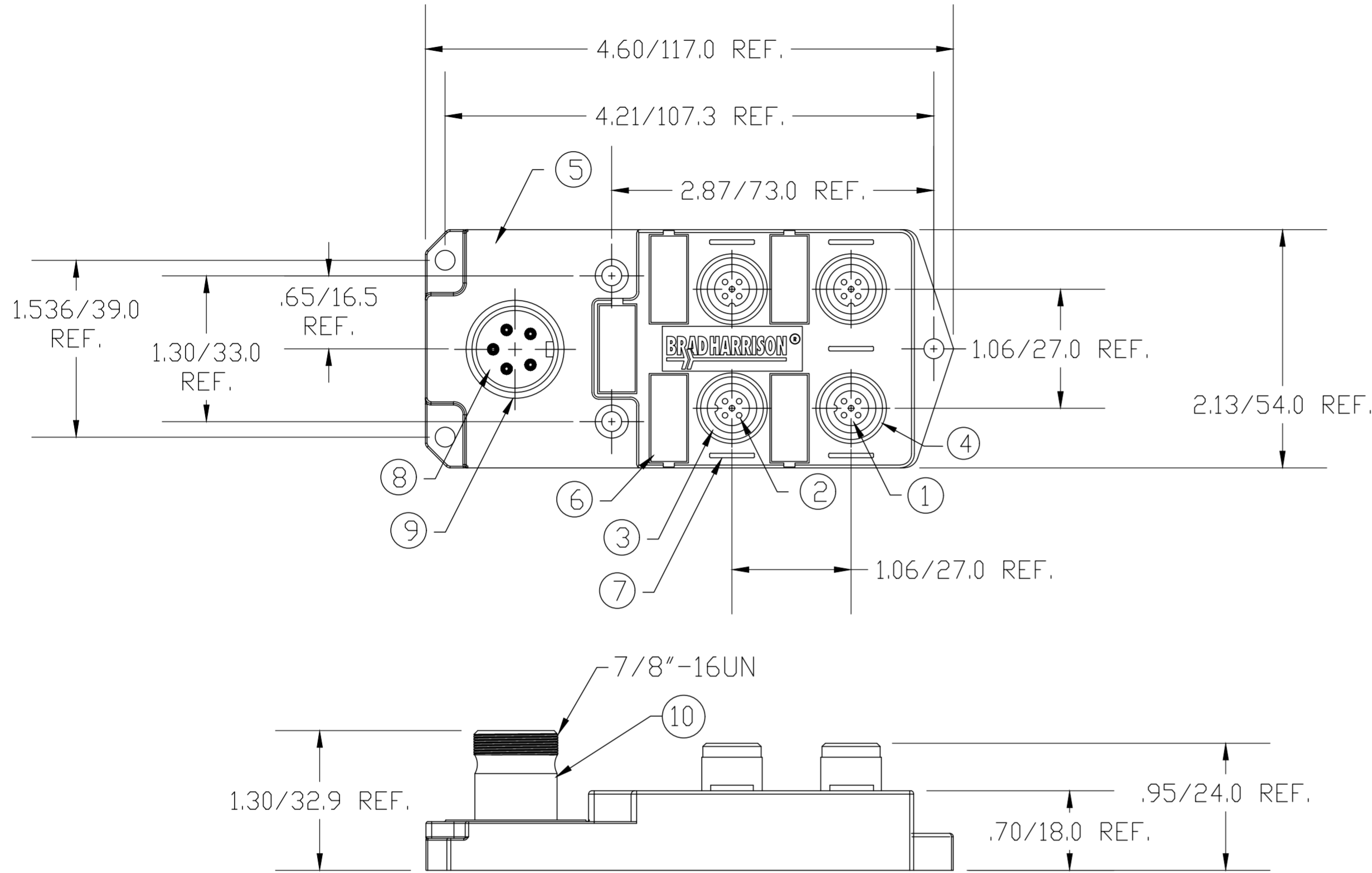
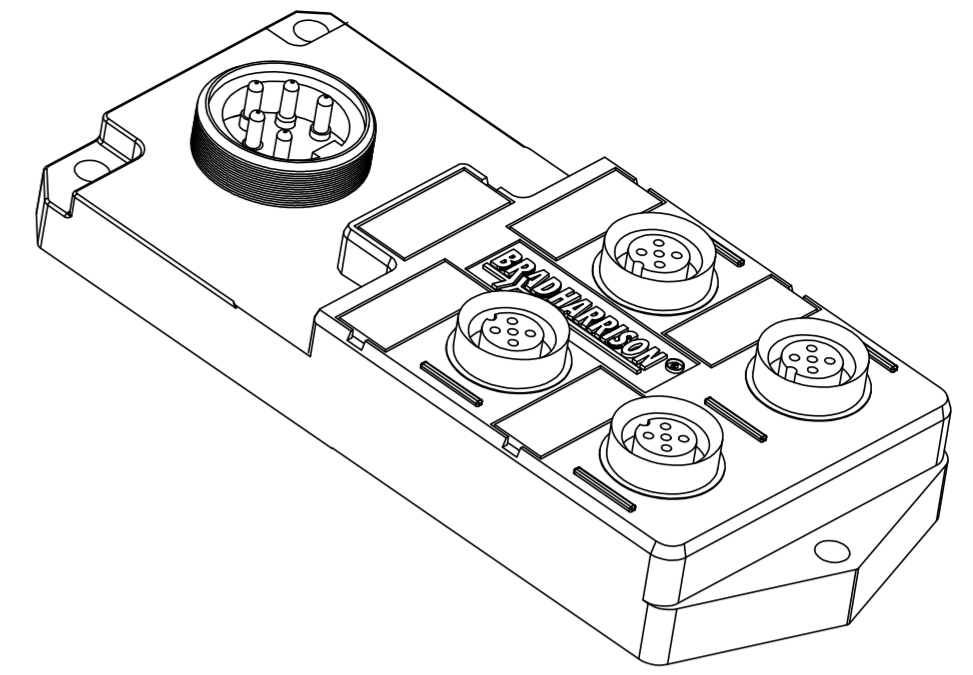


MATERIAL NUMBER	OLD PART NUMBER
130037-0004	DND4200



VOLTAGE RATING	10-30 VDC
AMPERAGE RATING PER M12 PORT	4 AMPS
AMPERAGE RATING FOR MINI-CHANGE HOME RUN PORT	9 AMPS
PROTECTION	IP67
OPERATING TEMPERATURE	-20°C TO 90°C
UL CERTIFICATIONS	UL RECOGNIZED, FILE NO. E152210
CSA CERTIFICATIONS	CSA CERTIFIED, FILE NO. LR6837

ITEM	COMPONENT	MATERIAL	FINISH
1	INSERT	NYLON	BLACK
2	CONTACT SOCKET	COPPER ALLOY	GOLD OVER NICKEL
3	O-RING	NITRILE	RED
4	RECEPTACLE SHELL	BRASS	NICKEL PLATED
5	HOUSING	PBT	GRAY
6	LABEL	ABS	WHITE
7	LENS	NYLON	GRAY
8	INSERT	TPE	GRAY
9	CONTACT PIN	COPPER ALLOY	GOLD OVER NICKEL
10	RECEPTACLE SHELL	BRASS	NICKEL PLATED

THIS DRAWING CONTAINS INFORMATION THAT IS PROPRIETARY TO MOLEX ELECTRONIC TECHNOLOGIES, LLC AND SHOULD NOT BE USED WITHOUT WRITTEN PERMISSION

SYMBOLS

▽ = 0	INCH/MM	SCALE	NTS
▽ = 0	GENERAL TOLERANCES (UNLESS SPECIFIED)		
▽ = 0		mm	INCH
▽ = 0	4 PLACES	±----	±----
▽ = 0	3 PLACES	±----	±----
▽ = 0	2 PLACES	±----	±----
▽ = 0	1 PLACE	±----	±----
▽ = 0	0 PLACES	±----	±----
▽ = 0	ANGULAR TOL ± ---- °		
▽ = 0	DRAFT WHERE APPLICABLE MUST REMAIN WITHIN DIMENSIONS		

CURRENT REV DESC: UPDATE AMPERAGE NOTES.

EC NO: 643920
 DRWN: CCHRASTKA 2020/08/24
 CHK'D: MZIELINSKI 2020/08/26
 APPR: BWOODMAN 2020/08/27

INITIAL REVISION:
 DRWN: BWOODMAN 2009/07/10
 APPR: JFMURPHY 2009/08/10

THIRD ANGLE PROJECTION

DRAWING SERIES: C-SIZE 130037

molex

MICRO DEVICENET 4 PORT
 MINI 5 POLE MALE

PRODUCT CUSTOMER DRAWING

DOCUMENT NUMBER: SD-130037-001
 DOC TYPE: PSD
 DOC PART: 001
 REVISION: C

MATERIAL NUMBER: SEE TABLE
 CUSTOMER: GENERAL MARKET
 SHEET NUMBER: 1 OF 1