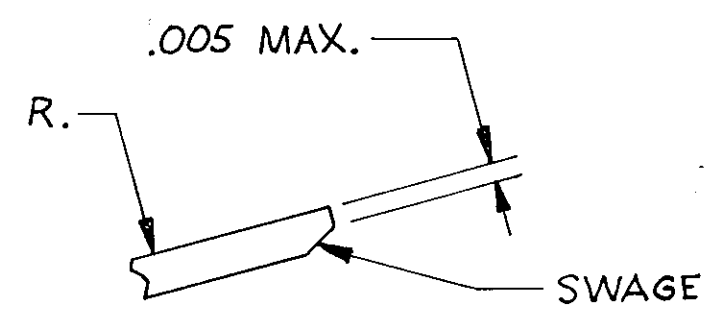
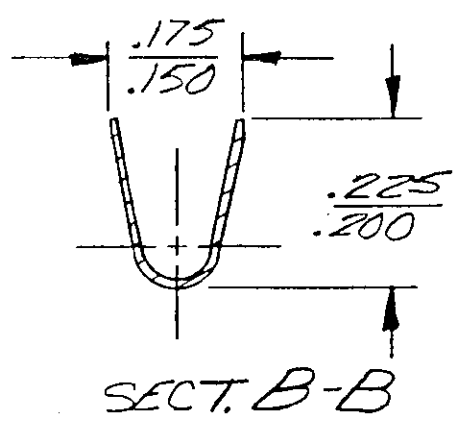
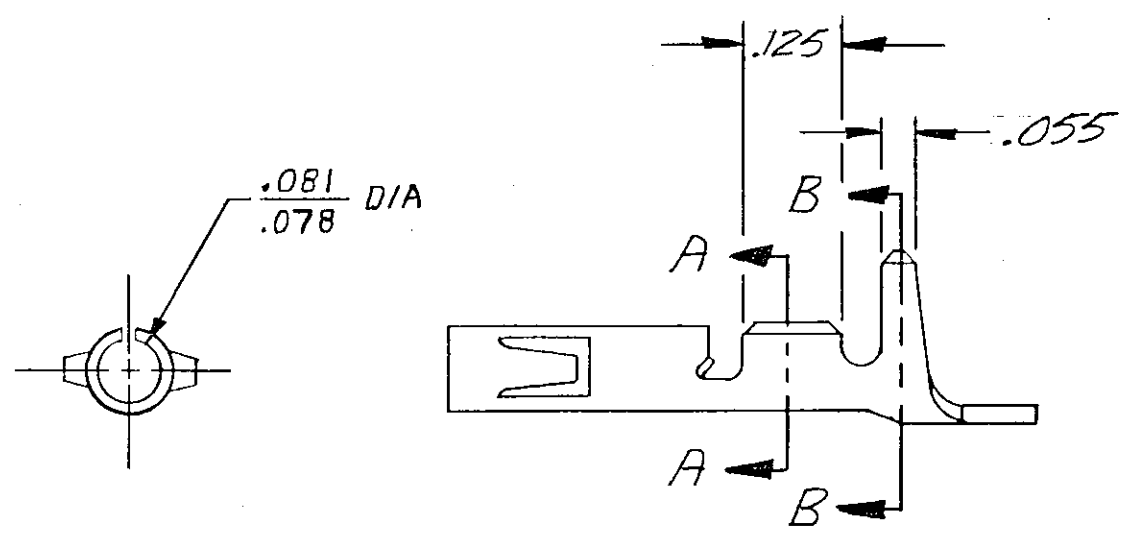
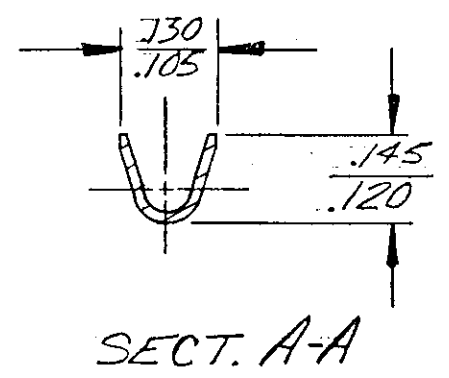
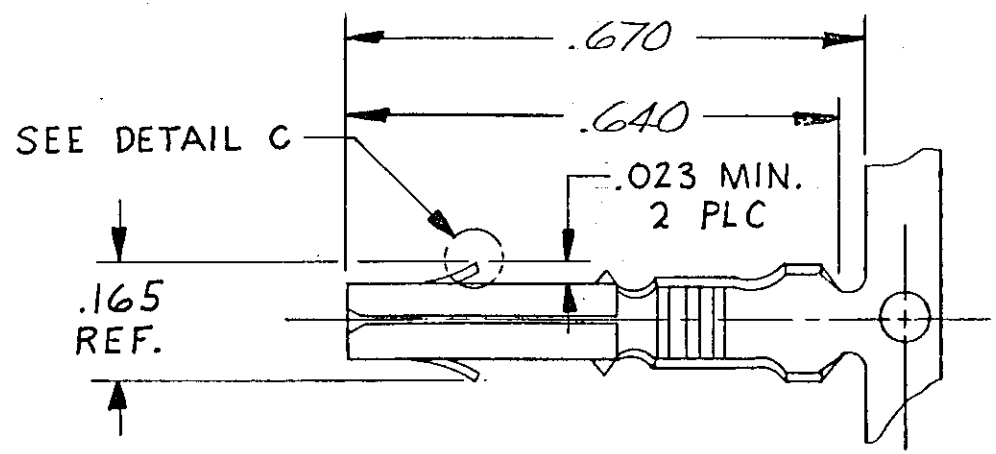



© COPYRIGHT 1973 BY AMP INCORPORATED, HARRISBURG, PA.
 ALL INTERNATIONAL RIGHTS RESERVED. AMP INCORPORATED PRODUCTS
 COVERED BY U. S. AND FOREIGN PATENTS AND/OR PATENTS PENDING.

REVISIONS						
P	F	ZONE	LTR	DESCRIPTION	DATE	APPROVED
✓	✓		C	REDRAWN W/O CHANGE M-5090	5-278	JW/DH.
✓	✓		D	ADDED 350512-2, T1182-125	7/24/82	DAS/CH
✓	✓		D ₁	RESTORED	4/2/85	BK _D /RS
			E	REV PER EC 0730-3607-91	1-5-94	RV/RS



DETAIL C

(2) .115 DIA MAX STACKED	(2) #18 OR (1) #18 & (1) #16	.012 PH BRZ	350512-2
		.012 BRASS	350512-1
INSULATION RANGE	WIRE RANGE	MATERIAL	PART NO

UNLESS OTHERWISE SPECIFIED DIMENSIONS ARE IN INCHES. TOLERANCES ON: DECIMALS ± .015 ANGLES ± 1°	CONTRACT NO	 AMP INCORPORATED Harrisburg, Pa.	
	DR <i>John Whitman 5-278</i>		
MATERIAL SEE TABLE	CHK <i>D.S. Heide 11/16/78</i>	NAME SOCKET, MATE-N-LOK, DUAL LANCE	
	APPR <i>A. E. TRAVIS 11/17</i>	SIZE B	CODE IDENT NO 00779
FINISH PRE-TIN	DSGN APPD	DRAWING NO 350512	
	OTHER APPD	SCALE X	SHEET 11