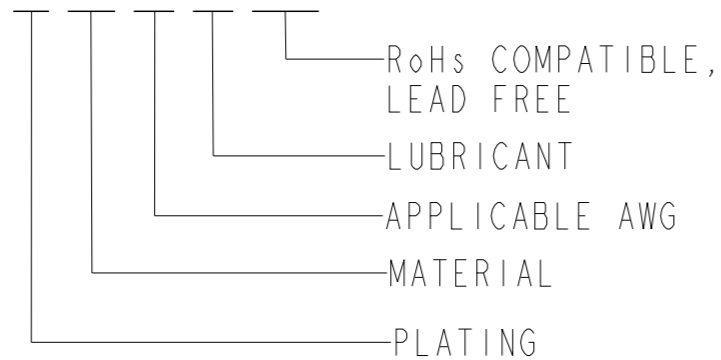


PRODUCT NUMBER

10156852-Y X X X LF



NOTES

1- PLATING :

- 1- GOLD FLASH 0.1 μm MIN ON CONTACT AREA  
2μm MIN MATTE TIN ON CRIMPING AREA  
1.27μm MIN Ni UNDERLAYER.
- 2- 2μm MATTE TIN + 0.5μm COPPER UNDERCOAT,  
REFLOW PLATED (PRE-PLATED).
- 3- GOLD 0.38μm MIN ON CONTACT AREA  
2μm MIN MATTE TIN ON CRIMPING AREA  
1.27μm MIN Ni UNDERLAYER.
- 4- GOLD 0.76μm MIN ON CONTACT AREA  
2μm MIN MATTE TIN ON CRIMPING AREA  
1.27μm MIN Ni UNDERLAYER.

2- MATERIAL

- 2- BRASS (STANDARD CURRENT)
- 3- HIGH CONDUCTIVITY COPPER ALLOY (HIGH CURRENT)

3- APPLICABLE AWG

- 1- AWG #16-18 : INSULATOR DIAMETER 3.10MM MAX
- 2- AWG #20-24 : INSULATOR DIAMETER 2.55MM MAX
- 3- AWG #26-28 : INSULATOR DIAMETER 2.00MM MAX

4- LUBRICANT :

0- NONE

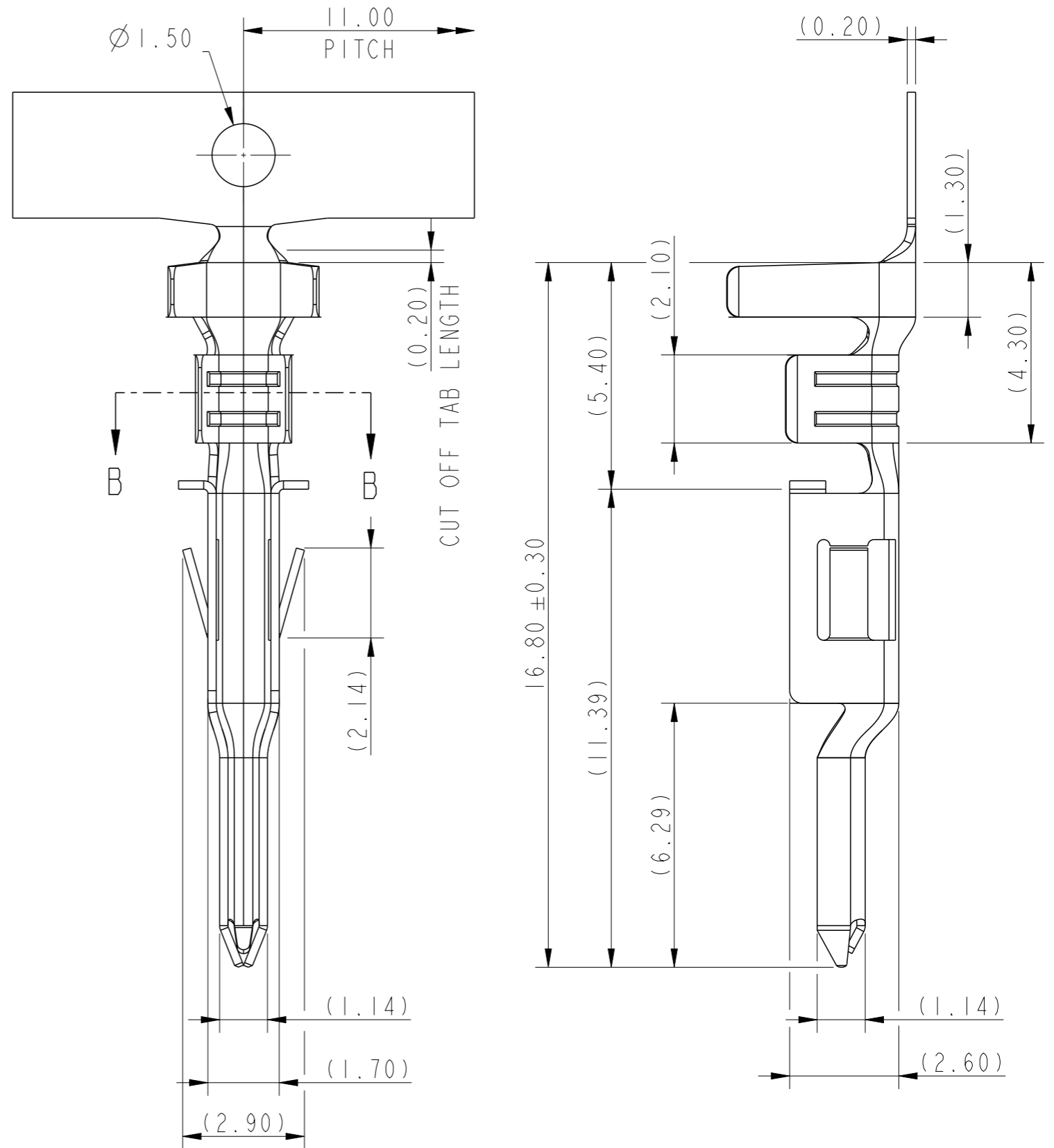
5- REFER GS-20-0659 AND GS-20- APPLICATION SPECIFICATION FOR MATING CONNECTOR.

6- APPLICATION SPECIFICATION:GS-20-0659.

7- REEL PACKING AS PER GS-14-2751.

8- PRODUCT SPECIFICATION : GS-12-1181 (STANDARD)  
GS-12-1333 (HIGH CURRENT)

9- LEAD FREE PRODUCTS MEET EUROPEAN UNION DIRECTIVES AND OTHER COUNTRY REGULATIONS AS DESCRIBED IN GS-47-0004



spec ref		dr	Vipin M-G	2022/03/04	projection	MM	size	A3	scale	4:1
tolerance std		eng	Paul Mithun	2022/04/04			ecn no		rel level	
ISO 406 ISO 1101		chr	-	-			-		Released	
TOLERANCES UNLESS OTHERWISE SPECIFIED		appr	Kuriakose, San	2022/04/04	product family		MINITEK		rel level	
surface	linear	0.X		±0.4	<b>Amphenol FCI</b> PLUG CRIMP TERMINAL MINITEK POWER 4.2	cat. no. -	Product - Customer Drw	dwg no 10156852 ptc_wm	rev A	sheet 1 of 2
		0.XX		±0.30						
0.XXX		±0								
ISO 1302	angular	0°		±2°						

1

2

3

4

A

B

C

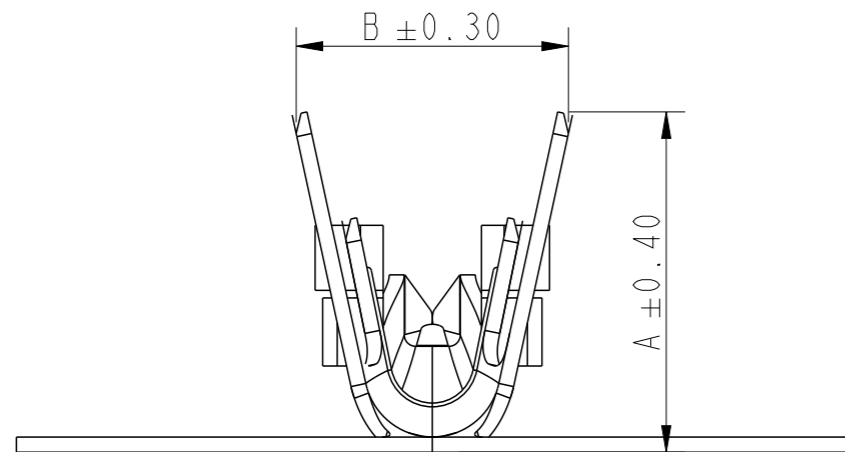
D

A

B

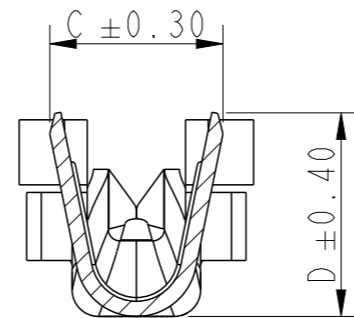
C

D



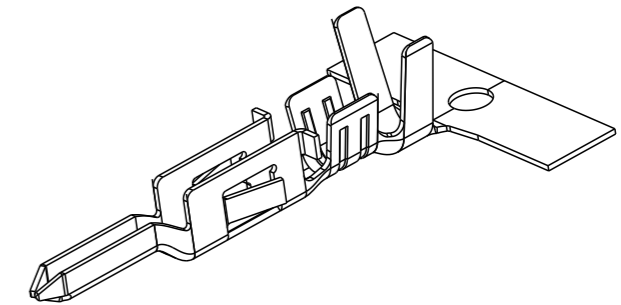
INSULATION BARREL

SCALE 10:1

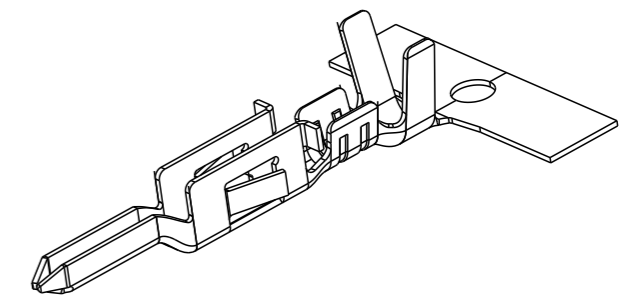


CONDUCTOR BARREL

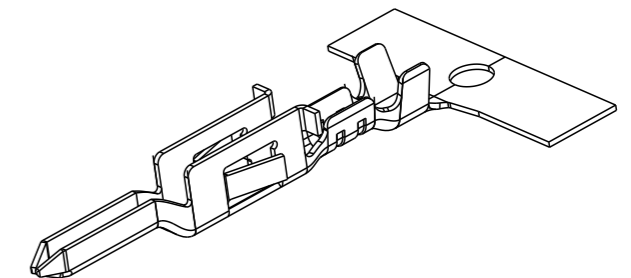
SECTION B-B  
SCALE 10:1



10156852-YX1XLF : AWG#16-18



10156852-YX2XLF : AWG#20-24



10156852-YX3XLF : AWG#26-28

PART NUMBER	DIM A	DIM B	DIM C	DIM D
10156852-YX1XLF	4.50	3.60	2.30	2.70
10156852-YX2XLF	4.10	3.40	1.80	2.00
10156852-YX3XLF	2.40	2.40	1.40	1.50

Amphenol  
FCi

© 2020 Amphenol Corporation

spec ref		dr	Vipin M-G	2022/03/04	projection 	MM ←→	size	A3	scale	10:1	
tolerance std		eng	Paul Mithun	2022/04/04			ecn no	-			
ISO 406 ISO 1101		TOLERANCES UNLESS OTHERWISE SPECIFIED		appr			Kuriakose, San	2022/04/04	product family	MINITEK	rel level
surface	linear	0.X	±0.4	Amphenol FCi	PLUG CRIMP TERMINAL		dwg no	10156852		rev	A
		0.XX	±0.30		MINITEK POWER 4.2			ptc_wm			
ISO 1302	angular	0°	±2°		cat. no.	-	Product - Customer Drw	sheet 2 of 2			

2

3

PDS: Rev :A

STATUS:Released

Printed: Apr 05, 2022